

Joie™

6-36 months

# snacker™ 2in1

輕便型摺疊高腳椅

## 使用說明書

本產品符合安全標準CNS 15017:2013

和歐洲標準EN 14988:2017+A1:2020

測試和認證

組裝及使用本產品前

請先閱讀說明書全文



**重要！請保留，便於未來參考用**

# 謝謝您使用本產品

您剛買了一台通過安全標準CNS 15017:2013 和歐洲安全標準EN 14988:2017+A1:2020 檢測的高品質輕便型摺疊高腳椅，這台高腳椅適合9-15公斤(6-36個月)，可自行坐立的兒童使用。

請仔細閱讀本說明書並依照指示操作，這樣才能保障並提供您的兒童一個安全又舒適的使用環境。

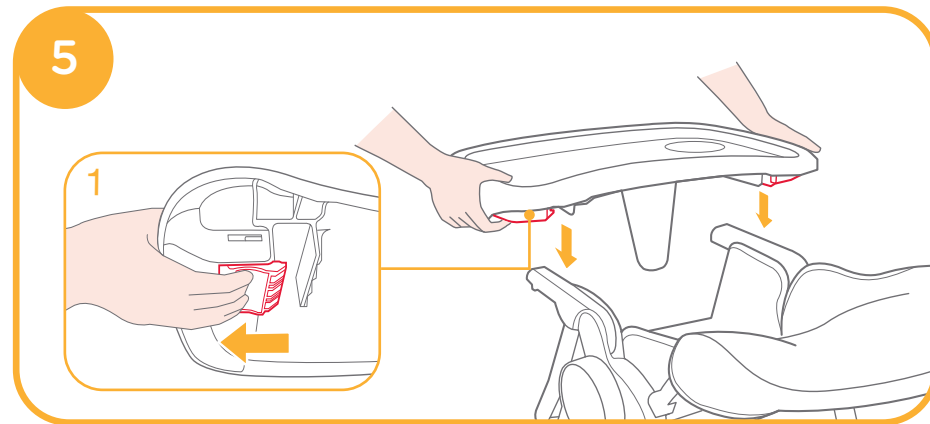
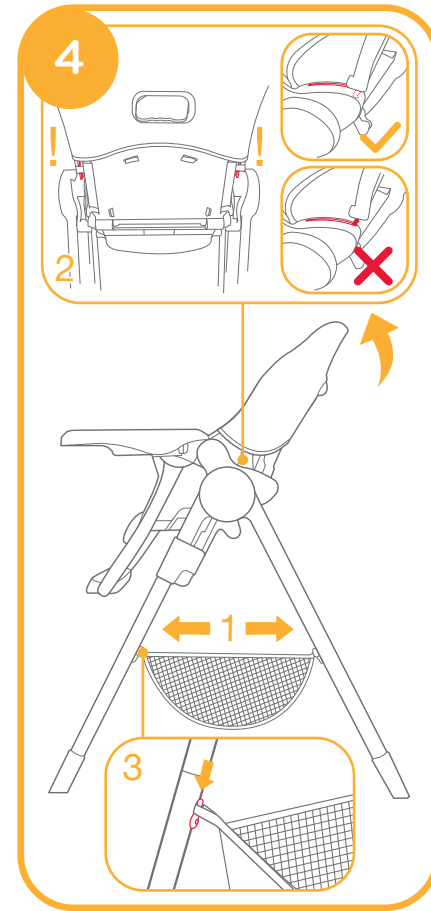
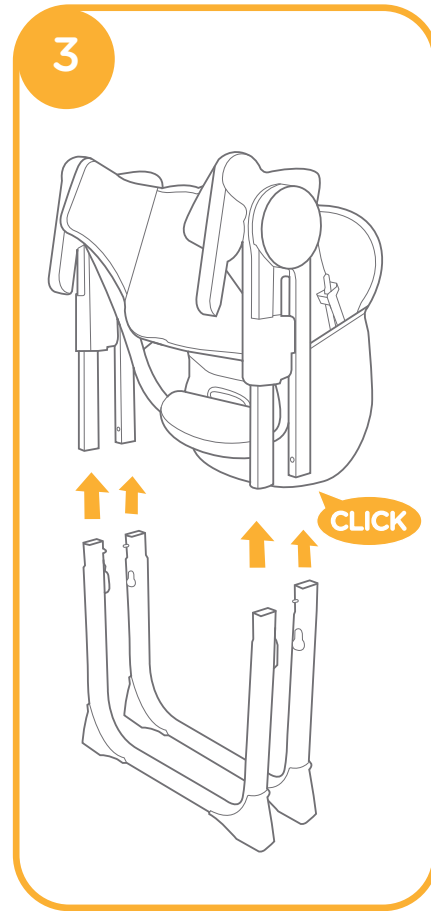
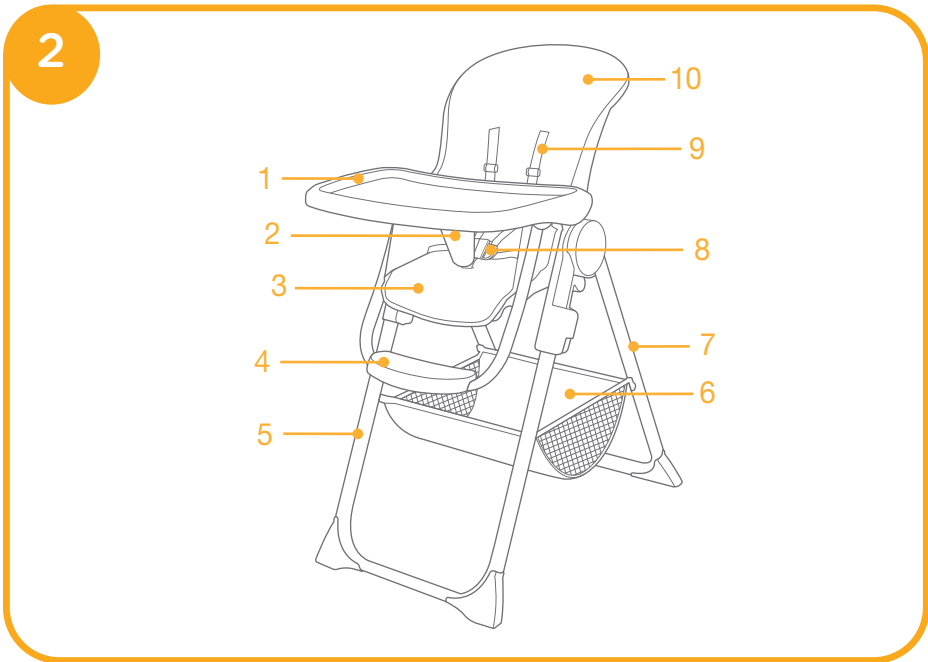
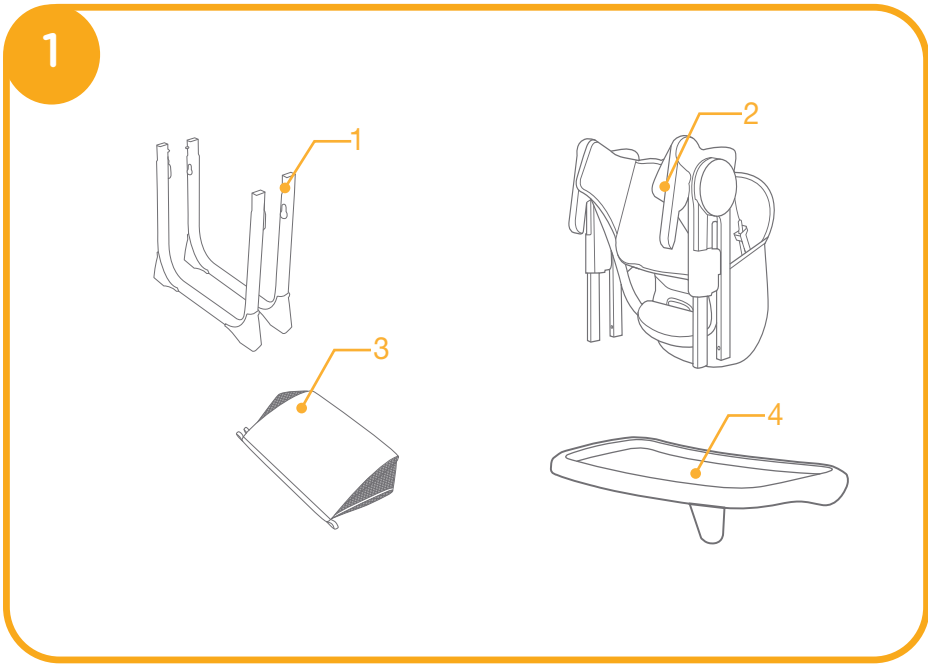
本說明書中採用的插圖是為了說明產品的操作方法和產品結構，當插圖與實物存在差異時，請以實物為準。

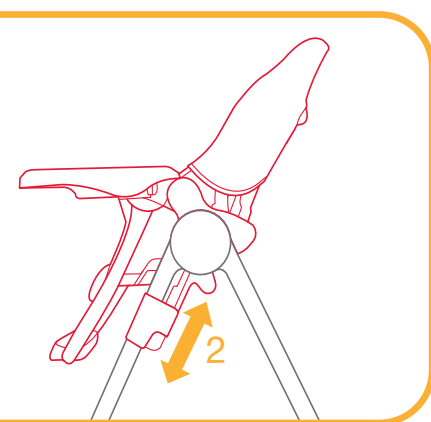
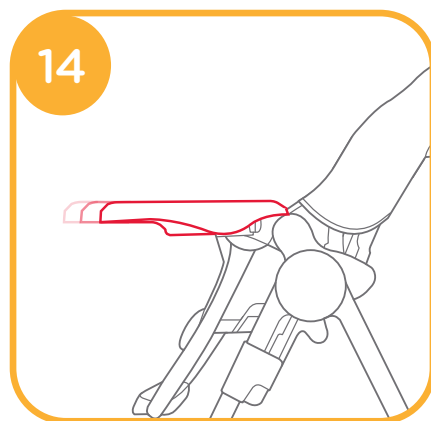
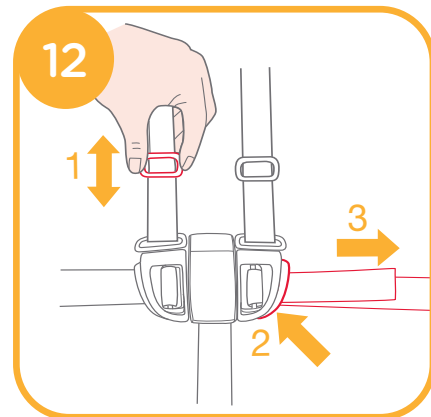
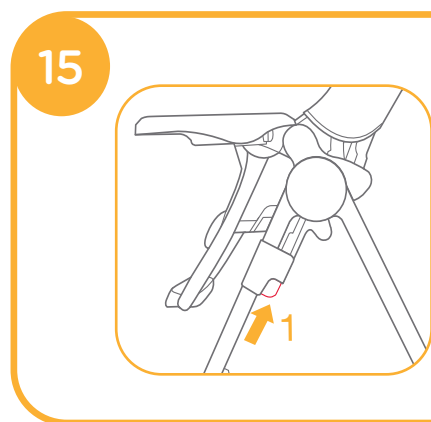
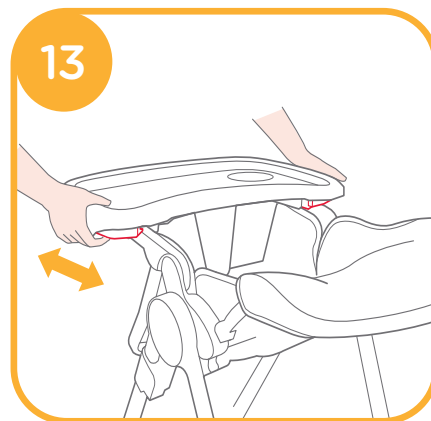
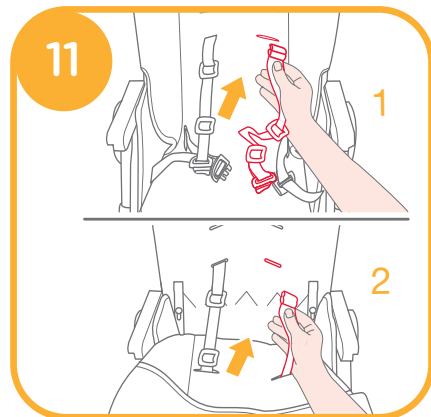
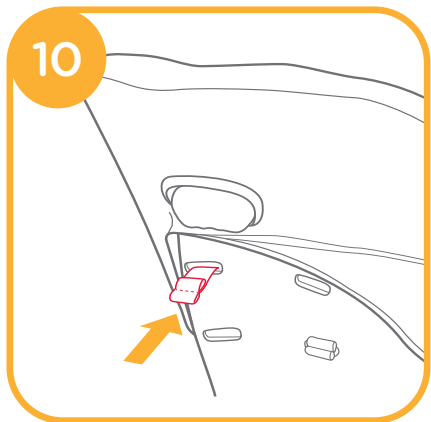
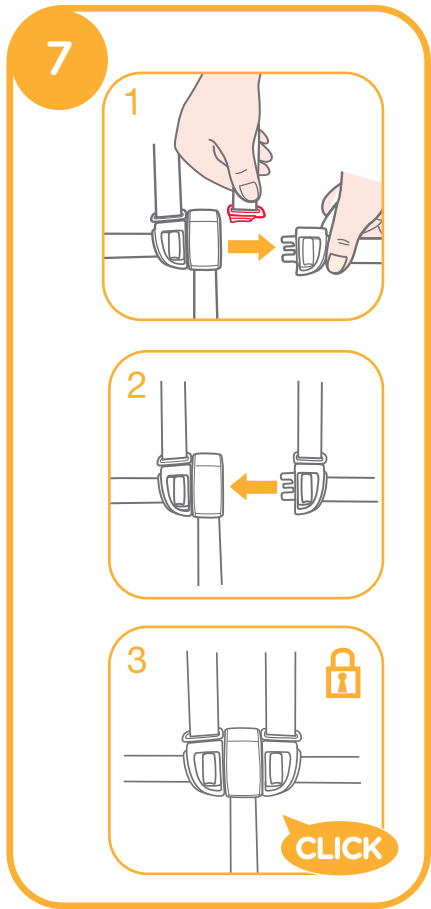
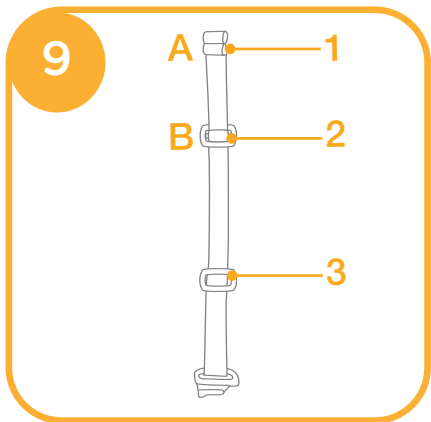
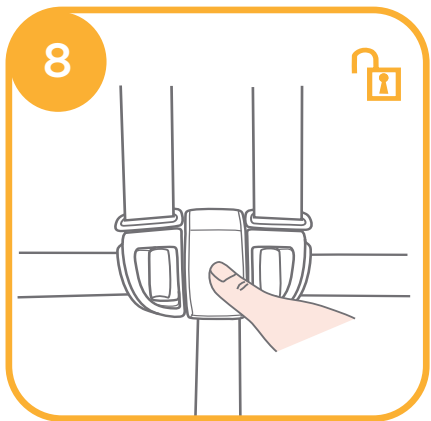
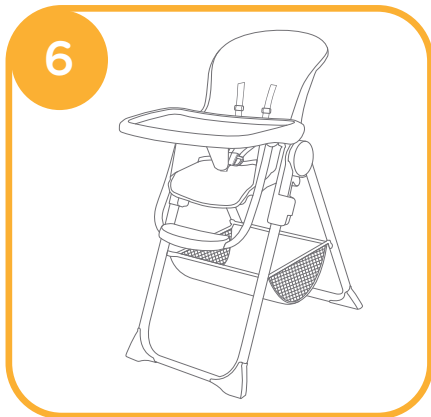
## 功能介紹

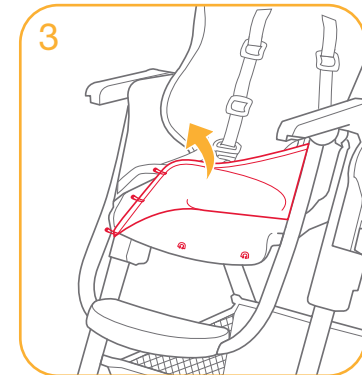
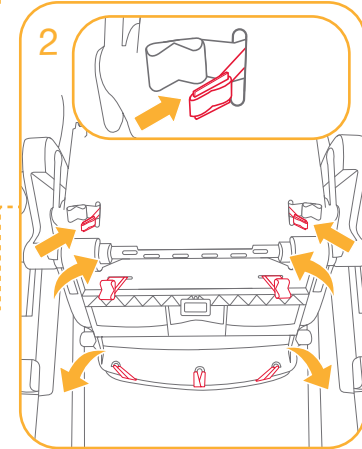
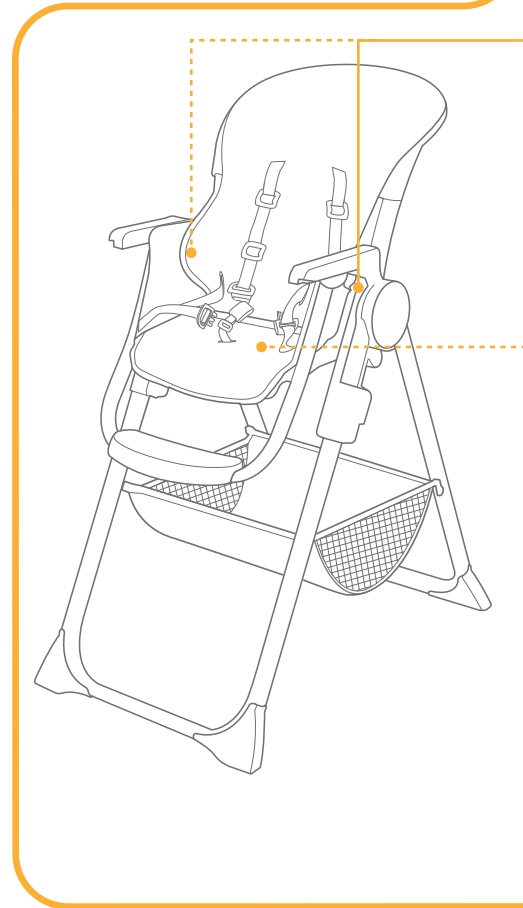
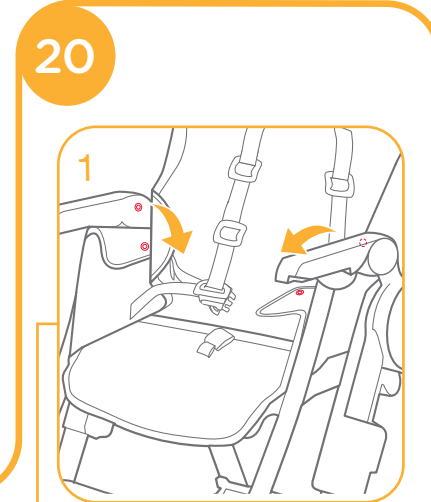
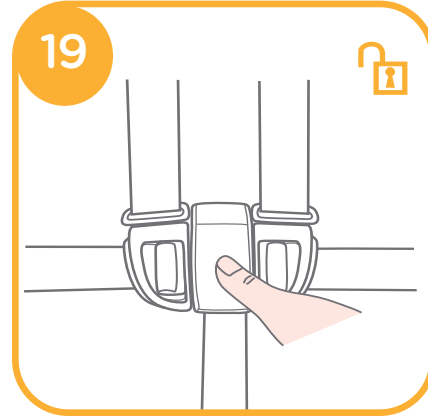
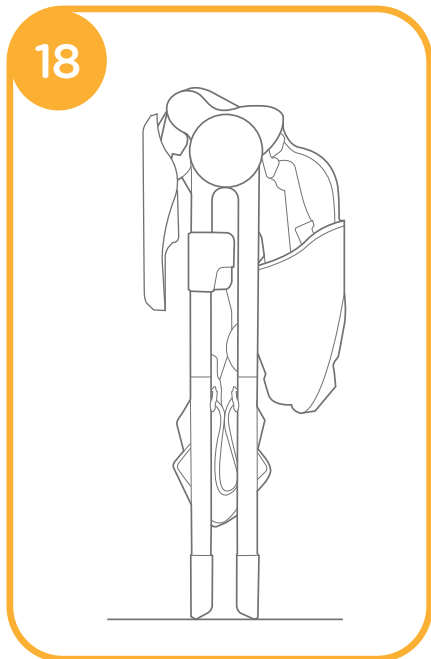
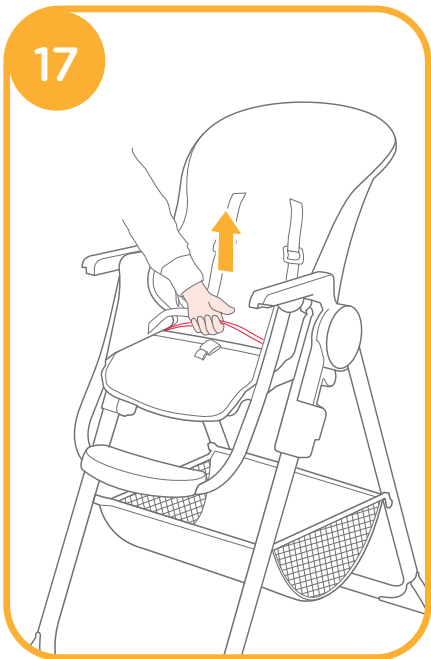
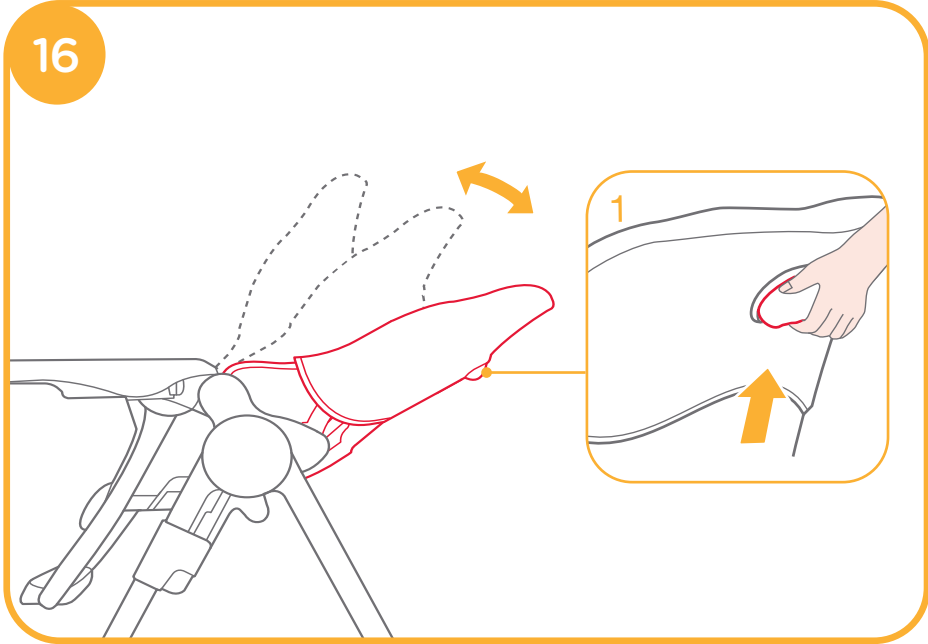
可拆卸式餐盤，方便兒童與父母同時用餐  
3段式背靠角度調整，滿足兒童的不同需求  
5點式柔軟安全織帶，不傷兒童肌膚，兒童使用更安全  
收合後超薄尺寸，在狹小空間方便儲存  
可拆卸水洗的座墊  
通過歐洲防火標準  
不含重金屬，雙酚A等有毒物質

## 目錄

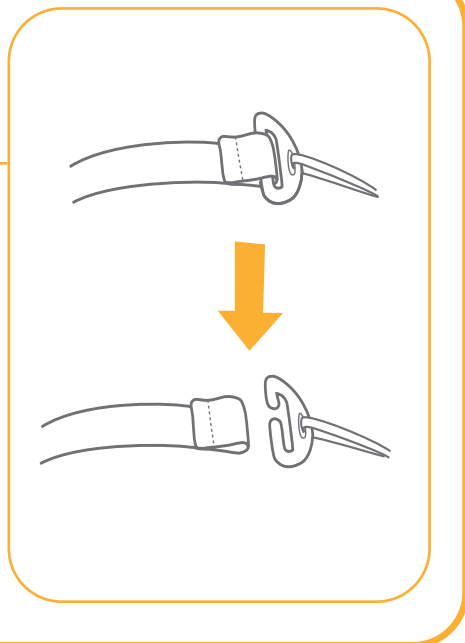
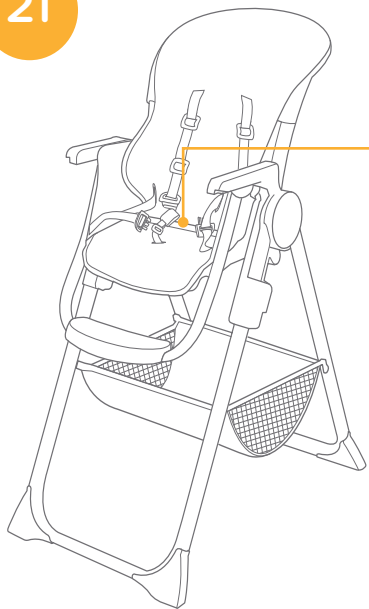
參照圖示	1-7
中文	
警告	8
緊急情況處理	9
產品資訊	10
產品組件及各部件名稱	11
保養維護與保固	11
產品組裝	12
組裝高腳椅	12
產品使用	12
使用安全扣	12
調整肩帶和腰帶	13
使用餐盤	13
座椅高度調整	13
調整背靠角度	14
折疊高腳椅	14
拆卸座墊	14
English	16-25



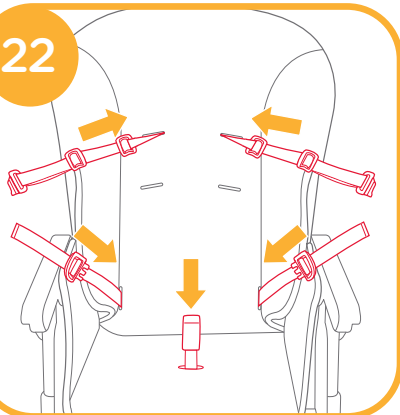




21



22



## 警告

- ! 請保留說明書作日後使用。
- ! 本產品需由成人組裝。
- ! 請勿在未閱讀或了解本高腳椅說明書之前，使用或裝置本產品。
- ! 本產品適用於體重9-15公斤(6-36個月)，可自行坐立的兒童使用。
- ! 沒有按照警告和安裝指示操作，可能會影響乘坐兒童的安全。其它警告標示請注意產品本身之警告事項。
- ! 請勿擅自改造本產品，或使用其他廠商的零件來配合本產品使用。
- ! 本產品如有任何零件破損、開裂或丟失時，請停止使用。
- ! 勿單獨留置兒童於高腳椅，而無成人看顧。
- ! 必須使用束縛系統。確認安全裝置已經安裝妥當。
- ! 兒童乘坐於高腳椅時，任何期間內安全帶必須正確調整而且緊好兒童。
- ! 跌落危險：請勿讓您兒童在高腳椅上攀爬。
- ! 兒童坐在高腳椅內時，必須正確使用安全帶，無論是坐着還是躺着。餐盤沒有保護兒童的作用。
- ! 建議只有在兒童能自己坐穩時才使用直立背靠。
- ! 切勿讓兒童站立在高腳椅上。
- ! 當兒童在高腳椅內時，請勿提起高腳椅移動。
- ! 當有兒童乘坐時，不要讓其他兒童在高腳椅周圍玩耍。
- ! 不要讓其他兒童斜靠在高腳椅邊上，以免不穩定而傾倒。
- ! 請勿在餐盤上放置任何重的袋子，包裹或其他可能導致本產品翻覆的物品。
- ! 請將高腳椅放置於平坦地面。

- ! 注意火源及其他熱源，例如高腳椅附近的電器、瓦斯等風險。
- ! 當兒童能用腳推桌子或其他結構時，請注意翻覆危險。
- ! 為避免勒斃危險，請勿將本產品置於任何有繩索的地方，比如窗簾，電話線等物體附近。
- ! 使用高腳椅前，請確保高腳椅已完全打開且所有的鎖定機構均已鎖定。
- ! 請定期檢查所有鎖定和固定裝置，以確保安全。
- ! 請定期檢查本產品是否有破損的組件，鬆動的連接，丟失的零件或尖銳的邊緣。
- ! 折疊或調整高腳椅時，需將兒童抱開。
- ! 兒童接近高腳椅前，請確認高腳椅已完全打開或折疊。
- ! 有關零件更換或維修問題，請向進口商諮詢。
- ! 請勿放置會燙傷兒童的熱食於餐盤上。
- ! 請確保所有織帶都已正確固定。
- ! 所有零件正確安裝和調整前，請勿使用本產品。
- ! 兒童能自行坐立後方可使用本產品。
- ! 使用本產品前，請取掉PE袋和包裝材料，並放到兒童觸摸不到的地方。

## 緊急情況處理

意外發生時，應盡速將乘坐的兒童送醫急救處理。

## 產品資訊

**Allison Baby UK Ltd.**

Venture Point, Towers Business Park,  
Rugeley, Staffordshire, WS15 1UZ  
www.joiebaby.com

**產品名稱** 輕便型摺疊高腳椅  
**產品型號** H1901  
**適用年齡** 9-15公斤(6-36個月)，可自行坐立的兒童使用  
**淨重** 6.76公斤  
**產品尺寸** 988mmx568mmx758mm  
**製造日期** 詳見產品上貼紙日期(年/月/日)  
**主要材質** 塑膠、五金、布  
**專利號碼** 專利申請中  
**原產地** 中國

**委製商** 巧兒宜國際股份有限公司  
**進口商** 巧兒宜國際股份有限公司  
**地址** 台北市內湖區瑞光路431號2樓  
**電話** 02-27973000  
**統一編號** 52603333

**代理商** 奇哥股份有限公司 Chickabiddy Co., Ltd  
**地址** 台北市南京東路四段186號5樓  
**服務專線** 0800-001-256 / 02-25781188  
**統一編號** 04222671  
**網址** www.chick.com.tw

使用本產品前請先閱讀說明書全文，如果您對於使用本產品還有任何疑問，請撥打服務熱線0800-001-256 / 02-25781188

## 產品組件及各部件名稱

圖 1.1	腳架組	圖 2.4	腳踏板
圖 1.2	座椅組	圖 2.5	前腳
圖 1.3	置物籃	圖 2.6	置物籃
圖 1.4	餐盤	圖 2.7	後腳
圖 2.1	餐盤	圖 2.8	五方向安全扣
圖 2.2	餐盤擋塊	圖 2.9	肩帶
圖 2.3	座墊	圖 2.10	背靠

組裝前請確認所有部件已經齊全，如有遺漏，請與進口商聯繫。  
因應每個型號，規格有所不同。本產品無需工具進行組裝。

## 保養維護與保固

- ! 座墊可以用海綿和肥皂水擦洗，不可使用漂白劑。
- ! 將洗好的座墊晾乾，不可烘乾。
- ! 去除腳架組上的灰塵和污漬時，可先用濕布擦洗，然後用乾布擦淨濕布留下的痕跡。
- ! 請勿使用未經稀釋的中性清潔劑、汽油或其他有機溶劑清洗高腳椅，否則可能對高腳椅造成損壞。
- ! 請定期檢查您的高腳椅是否有破損的組件、撕裂的材料或車縫線，如有必要請隨時進行更換或修理。
- ! 當長時間不使用本高腳椅時，請將高腳椅存放於陰涼處及兒童不易接觸的地方。



### 延長保固服務

請於購買起一個月內至奇哥官網進行登錄，登錄成功後即享有商品延長一年保固服務。

## 產品組裝

組裝和使用本產品前，請先閱讀說明書全文。

### 組裝高腳椅

見圖3 - 圖6

1. 將腳架管對準座椅管插入(圖3)，聽到“咔嚓”聲表示腳架管安裝到位。  
! 請將腳架組往下拉，以確定腳架管已安裝到位。
  2. 打開腳架管(圖4.1)，將背靠向上旋轉(圖4.2)，聽到“咔嚓”聲表示背靠完全鎖定。  
! 請確認背靠鐵線已正確卡入座椅卡槽內(圖4.2)  
! 如果背靠鐵線沒有正確卡入，請折疊高腳椅(圖17)重複上面操作。
  3. 組裝置物籃，將置物籃上的4個扣環向下卡進腳架管固定座即可(圖4.3)，向上提起扣環則可拆卸置物籃。
  4. 向兩側拉餐盤下的調整按鈕(圖5.1)，同時將餐盤放在餐盤扶手上(圖5)，松开調整按鈕，直到聽到“咔嚓”聲表示餐盤安裝到位。
- 高腳椅組裝完成後如(圖6)所示。

## 產品使用

### 使用安全扣

見圖7 - 圖8

#### 提示

1. 為防止兒童摔跌，兒童乘坐時必須繫上安全帶。
2. 請牢牢地繫上安全帶，並注意兒童與安全帶之間須可以放進一個手掌的厚度。
3. 請勿交叉肩帶，以免對兒童頸部造成壓迫。

### 扣合安全扣

將腰帶扣依次插入肩帶扣(圖7.1)和母扣內(圖7.2)，聽到“咔嚓”聲表示扣合到位(圖7.3)

### 鬆開安全扣

按下母扣中央的按鈕，鬆開安全扣(圖8)



## 調整肩帶和腰帶

見圖9 - 圖12

### 提示

1. 兒童坐進座椅後，請確認肩帶孔高度是否合適，以免兒童使用時意外跌出。
2. 肩帶孔須與兒童肩膀高度相同，或略高於兒童肩膀。
3. 請勿交叉肩帶，以免對兒童頸部造成壓迫。

- 9 - 1 肩帶固定栓A
- 9 - 2 肩帶固定栓B
- 9 - 3 調整扣

較大的兒童使用時，請使用肩帶固定栓A和最上方的肩帶孔；

較小的兒童使用時，請使用肩帶固定栓B和最下方的肩帶孔。

先將肩帶從肩帶孔中穿出(圖10)，然後選擇一對高度合適的肩帶孔，將肩帶依次穿入座墊孔和背靠孔中(圖11.1)(圖11.2)

！ 轉換肩帶孔時，請確認肩帶同時穿入座墊和背靠中。

將日字扣上下滑動，可調節肩帶長度(圖12.1)

按壓按鈕(圖12.2)，同時往外拉安全扣內側或外側的腰帶，可調節腰帶長度(圖12.3)

## 使用餐盤

見圖13 - 圖14

向兩側拉餐盤下的調整按鈕(圖5.1)，同時將餐盤沿着餐盤扶手來回移動到合適位置後，再鬆開餐盤調整按鈕(圖13)

餐盤有3個段位可供調整(圖14)，可依需要調整餐盤與兒童的距離。

！ 請確認餐盤左右卡入相同段位。

！ 請將餐盤往外拉，以確定餐盤左右已牢固固定。

## 座椅高度調整

見圖15

座椅有5個使用段位，可依餐桌高度調整，方便兒童與家人一同用餐。

！ 當兒童乘坐在座椅內時，請勿調整座椅高度。

調整座椅高度時，按壓高腳椅兩側的高度調整按鈕(圖15.1)，同時將座椅上下移動到合適高度後鬆開按鈕(圖15.2)

## 調整背靠角度

見圖16

背靠有3個段位可供調整(圖16)

按壓座椅背後的背靠調整按鈕，同時推拉背靠到所需段位後，再鬆開背靠調整按鈕即可調整背靠角度(圖16.1)

！ 建議只有在兒童能自己坐穩時才使用直立背靠。

## 折疊高腳椅

見圖17 - 圖18

！ 當兒童乘坐在座椅內時，請勿折疊高腳椅。

請依以下步驟折疊高腳椅：

1. 折疊高腳椅前，請先拆除餐盤。
2. 向上提起收合織帶(圖17)，背靠自動向後折疊(圖18)

## 拆卸座墊

見圖19 - 圖22

1. 拆除兩側扶手下面的2對鈕扣(圖20.1)
2. 拆除座椅底部的2條織帶和5對鬆緊帶(圖20.2)(圖20.3)
3. 拆除收合固定夾上的收合織帶(圖21)
4. 移除座墊上的肩帶、腰帶和胯帶(圖22)，然後再將座墊從背靠上移除。組裝座墊時，反向操作即可。

Note

Joie™

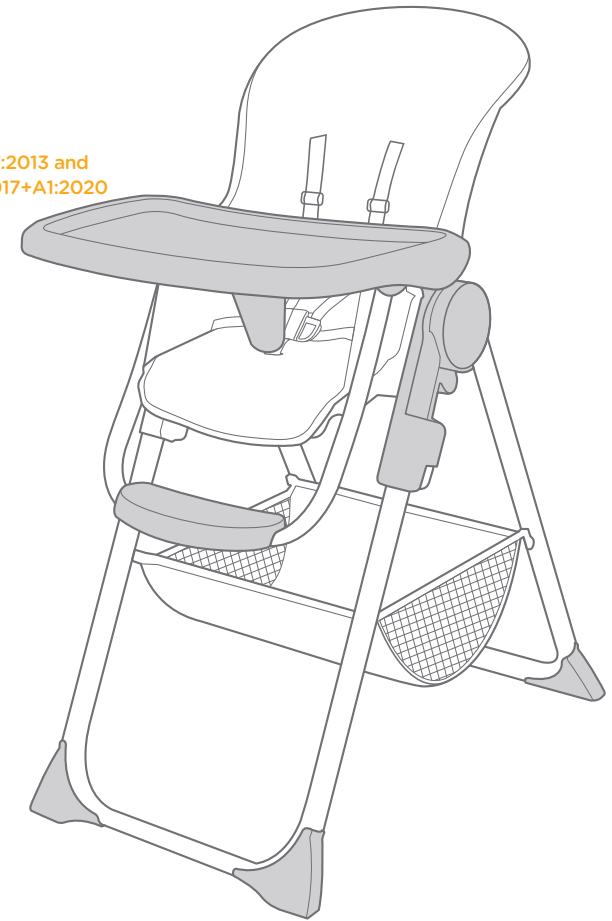
6-36 months

# snacker™ 2in1 highchair

## Instruction Manual

This highchair is approved to CNS 15017:2013 and European safety standards EN 14988:2017+A1:2020

Please read all the instructions in this manual before installing and using the product



**IMPORTANT! READ CAREFULLY  
AND KEEP FOR FUTURE REFER-  
ENCE**

# Thank you for purchasing a Joie Highchair

This product is a high-quality, fully-certified, foldable highchair. It is approved by CNS 15017:2013 and European safety standards EN 14988:2017+A1:2020. It is suitable for children 9-15kg (6-36months), who can sit without aid.

Carefully read this instruction manual and follow the installation steps as this is the **ONLY** way to protect your child from serious injury or death in the case of an accident, and to provide comfort to your child while using this product.

The figures in this manual are to illustrate the methods of operation and main features of product. This model may have differences between features shown. The figures are only for reference.

## Highchair Features

- Removable tray for use at adult table
- 3-position reclining seat for smaller children and after-meal naps
- Ultra-slim fold for easy storage in small spaces
- Removable, easy-to-clean seat pad
- 5-point harness for additional child security

## Contents

Reference Figures	1 - 7
English	
WARNING	19
Emergency	20
Product Information	21
Parts List	22
Care and Maintenance	22
Highchair Assembly	22
Assemble Highchair	22
Use Highchair	23
Use Buckle	23
Adjust Shoulder and Waister Harnesses	23
Use Tray	24
Adjust Height for Seat	24
Adjust Recline	25
Fold Highchair	25
Detach Seat Pad	25

# WARNINGS

- ! Please keep instruction manual for future reference.
- ! Adult assembly required.
- ! Read all the instructions in this manual before using this product.
- ! This product is designed ONLY for children 9-15kg (6-36months), who can sit without aid.
- ! Failure to follow these warnings and the assembly instructions could result in danger. Other warnings, please note the product of its own warnings.
- ! DO NOT make any modification to this highchair or use it along with component parts from other manufacturers.
- ! DO NOT use the product if any part is broken, torn or missing.
- ! Never leave the child unattended. Always keep your child in view.
- ! Always use the restraint system.
- ! To prevent serious injury or death from falling or sliding out, always secure child in the restraint.
- ! Falling hazard: Prevent your child from climbing on the product.
- ! Secure your child at all times with the restraint system provided, either in the reclining or upright position. The tray is not designed to hold your child in the product.
- ! It is recommended that the product be used in the upright position only by children capable of sitting upright unassisted.
- ! DO NOT allow your child to stand in or on the highchair.
- ! DO NOT lift and carry highchair while occupied.
- ! DO NOT allow children to play with or around highchair while occupied.
- ! DO NOT allow children to lean over sides of highchair. It may become unbalanced and tip over.
- ! DO NOT place any heavy bags, packages, or other items on the highchair tray. They may cause the chair to tip over.
- ! Always use on a flat and level floor.

- ! Do not use the product unless all components are correctly fitted and adjusted.
- ! Be aware of the risk of open fire and other sources of strong heat in the vicinity of the product.
- ! Be aware of the risk of tilting when your child can push its feet against a table or any other structure.
- ! To avoid strangulation hazard, DO NOT place product in any location where there are cords, such as window blind cords, drapes, phone cords, etc.
- ! All assembly fittings should be unfolded completely and tightened properly before using the product.
- ! Regularly check the locks and fittings for security.
- ! Regularly inspect the product for damaged hardware, loose joints, missing parts or sharp edges.
- ! Keep children away when unfolding and folding the product to avoid injury.
- ! Make sure the product has been folded or unfolded completely before letting your child approach the highchair.
- ! Consult the distributor for issues concerning maintenance, repair and part replacement.
- ! DO NOT place food that is hot enough to burn child's skin on the tray.
- ! Make sure that any harness is correctly fitted.
- ! Do not use the product until the child can sit up unaided.
- ! To avoid suffocation, remove plastic bag and packaging materials before using this product. The plastic bag and packaging materials should then be kept away from babies and children.

## Emergency

In case of emergency or accident, it is most important to have your child taken care of with first aid and medical treatment immediately.

## Product Information

### Allison Baby UK Ltd.

Venture Point, Towers Business Park,  
Rugeley, Staffordshire, WS15 1UZ  
www.joiebaby.com

<b>Product</b>	Snacker 2in1 Highchair
<b>Model</b>	H1901
<b>Suitable for</b>	Children 9-15kg (6-36months), who can sit without aid
<b>Net Weight</b>	6.76kg
<b>Product Size</b>	988mmx568mmx758mm
<b>Date</b>	Please see detailed date on label (year / month / day)
<b>Materials</b>	Plastics metal fabrics
<b>Patent No.</b>	Patents pending
<b>Made in</b>	China
<b>Distributor</b>	Chickabiddy Co., Ltd
<b>Address</b>	5 <sup>th</sup> FL, 186, Nanking E. Rd, Sec. 4, Taipei, Taiwan 10595
<b>Tel.</b>	0800-001-256 / 02-25781188
<b>Website</b>	www.chick.com.tw

Read all the instructions in this manual before using this product. If you have any further questions, please call 0800-001-256 / 02-25781188 directly.

## Parts List

Fig. 1.1	Leg Assembly	Fig. 2.2	Tray Horn	Fig. 2.7	Rear Leg
Fig. 1.2	Seat Assembly	Fig. 2.3	Seat Pad	Fig. 2.8	5-Point Buckle
Fig. 1.3	Basket	Fig. 2.4	Footrest	Fig. 2.9	Shoulder Harness
Fig. 1.4	Tray	Fig. 2.5	Front Leg	Fig. 2.10	Backrest
Fig. 2.1	Tray	Fig. 2.6	Basket		

Make sure all parts are available before assembly. If any part is missing, please contact local retailer. No tools are required for assembly.

## Care and Maintenance

- ! Your seat pad can be spot cleaned with a sponge and soapy water. DO NOT use bleach.
- ! Drip dry the washed seat pad. DO NOT put in dryer.
- ! To clean the frame, wipe with a damp cloth then wipe out any traces of moisture on the frame with a dry cloth.
- ! DO NOT use undiluted neutral detergent, gasoline or other organic solvent to wash the highchair. It may cause damage to the highchair.
- ! From time to time, check your highchair for worn parts, torn material or stitching. Replace or repair the parts as needed.
- ! If the highchair is not in use for a long period of time, please put it in the shade and somewhere your child can not access it.

## Highchair Assembly

Please read all the instructions in this manual before assembling and using this product.

## Assemble Highchair

see images Fig. 3 - Fig. 6

1. Align the tubes of leg assembly with those of seat assembly, and then insert to assemble. A click means both the two tubes are assembled properly. (Fig. 3)

! Please check the legs are assembled well by pulling them apart.

2. Using the button on the back of the seat to open the highchair by rotating the backrest upwards (Fig. 4.1)(Fig. 4.2). a “click” means the backrest is locked completely.

! Please confirm the recline wire and seat latch slot are fully engaged before use. (Fig. 4.2)

! If they are not correctly engaged, please fold the unit as Fig. 17 and repeat the above operation.

3. Please attach basket to the support leg by 4 pairs of webbings (Fig. 4.3). Pull webbings upwards to remove basket.

4. Place the tray over tray bar (Fig. 5) while pulling the button on both sides under the tray outward (Fig. 5.1) until a “click” is heard.

The assembled highchair is shown as Fig. 6.

## Use Highchair

### Use Buckle

see images Fig. 7 - Fig. 8

#### Note

1. To avoid serious injury from falling or sliding out, always secure your child with harness.
2. Make sure your child is snugly secured, and that the space between the child and the shoulder harness is about the thickness of one hand.
3. DO NOT cross the shoulder belts. This will cause pressure on child’s neck.

#### Lock Buckle

Match the waist belt buckle with the shoulder buckle (Fig. 7.1) and “click” into the center buckle (Fig. 7.2), a “click” means the buckle is locked completely. (Fig. 7.3)

#### Release Buckle

Press the center button to release the buckle. (Fig. 8)

## Adjust Shoulder and waister Harnesses

see images Fig. 9 - Fig. 12

#### Note

1. The shoulder harness must go into the slot that is even with or slightly above the shoulders.
2. In order to protect your child from falling out, after your child is placed into the seat, check whether the shoulder harnesses are at proper height.

9 - 1 Shoulder harness anchor A

9 - 2 Shoulder harness anchor B

9 - 3 Slide adjuster

For larger child use Shoulder harness anchor A and the highest shoulder slots.

For smaller child use Shoulder harness anchor B and the lowest shoulder slots.

Choose a pair of proper shoulder slots, thread shoulder harnesses out off previous slots (Fig. 10) , and then insert into desired slots in seat pad and seat back. (Fig. 11.1)(Fig. 11.2)

! When changing shoulder harness slots, make sure shoulder harnesses are going through same slots in seat pad and seat back.

Use slide adjuster to change the harness length (Fig. 12.1), press the button (Fig. 12.2) while pulling the waist harness to proper length. (Fig. 12.3)

### Use Tray

see images Fig. 13 - Fig. 14

Sliding the tray along the tray bar to a proper position (Fig. 13) while pulling the button under the tray outward (Fig. 5.1).

The tray has 3 positions for adjustment. (Fig. 14)

! Ensure both sides of tray are in matching positions.

! Pull tray backward to ensure both guides are secure.

### Adjust Height for Seat

see image Fig. 15

1. There are 5 height positions. The seat can be adjusted to the proper height according to the height of your dinner table, which makes it more convenient for your child to have meals together with family.

! DO NOT adjust the height of the seat with child in it.

2. To adjust height, press the height adjustment buttons on both sides of the chair (Fig. 15.1), and lower or raise seat to a desired position. (Fig. 15.2)

## Adjust Recline

see image Fig. 16

There are 3 recline positions. (Fig. 16)

Squeeze button on the back of seat and push down or pull up to adjust the seat back to a desired recline position. (Fig. 16.1)

! It is recommended that the product be used in the upright position only by children capable of sitting upright unassisted.

## Fold Highchair

see images Fig. 17 - Fig. 18

! DO NOT fold the highchair with child in it.

Fold the highchair by following these steps:

1. Remove tray before folding the highchair.
2. Pull the folding webbing upward (Fig. 17) , the backrest will automatically fold backward. (Fig. 18)

## Detach Seat Pad

see images Fig. 19 - Fig. 22

1. Disassemble 2 pairs of snaps on both sides of armrest. (Fig. 20.1)
2. Disassemble 2 pairs of webbings and 5 pairs of elastic straps on the bottom of seat. (Fig. 20.2)(Fig. 20.3)
3. Remove the clip from folding webbing. (Fig. 21)
4. Remove shoulder harnesses and waist harnesses and crotch harness from seat pad (Fig. 22), then remove seat pad from seat back.

To assemble seat pad in reverse steps.

## Note







bring the kids™  
Share the joy at [joiebaby.com](http://joiebaby.com)

JK003\_H1901\$G