



Luxe Highchair

GB Instruction Manual

ES Manual de instrucciones



IMPORTANT, RETAIN FOR FUTURE REFERENCE: READ CAREFULLY

Welcome to the familiee

Your trust in our product means the world to us, and we're thrilled to be a part of your parenting journey. Our team has worked tirelessly to ensure that this product provides comfort, safety, and style for you and your little one. We're confident it will exceed your expectations. Should you have any questions or require assistance in the future, please don't hesitate to reach out. Thank you for choosing My Babiie; we wish you and your family countless wonderful times ahead.

Get to know your Highchair

Scan the QR code below on your camera app to be linked off to our page to get all the information you need for using your highchair. From setting it up to how to fold it down, it's all there!



Warranty

We provide a 1 year warranty against manufacturing or material defects.

The warranty period is effective from the day of purchase and applicable to the UK and Ireland. If you made your purchase from an authorised retailer, please return your product to them.

If you bought your product via our website; mybabiie.com, please contact our Customer Service team via email (info@mybabiie.com). We are happy to refund any product if you change your mind about your purchase (if purchased from our website, mybabiie.com.) As long as you tell us within 30 days of receiving your goods. They must be returned in an unused condition, in the original, undamaged packaging and complete with all original parts and accessories. Proof of purchase is required.

What is not covered by the Guarantee?

- Failure to follow My Babiie user guide and maintenance instructions.
- Damage caused by non domestic use
- General wear and tear, for example: worn wheels, damaged rain covers, worn/tear fabric.
- Deliberate damage, misuse or neglect.
- Product which has been modified, undergone an unauthorised repair or used a non approved spare part.
- Cosmetic damage.
- Parts subject to normal wear and tear, foam handles, rubber elements of wheels, signs of fabric wear.
- Loss incurred as a result of not being able to use a product whilst waiting for a spare part or repair.

A repair service is available for any item that sustains accidental damage at any point during its lifespan. If the damages are not covered by our guarantee, we will provide a quote for the repair costs on an individual basis. If you find yourself in need of spare parts that are not covered by the warranty, you can purchase each spare part on our website (subject to availability).

To read more about your guarantee, please visit mybabiie.com/guarantee.

Our guarantee is provided by My Babiie Ltd, Registered address: 15 Commercial Road, Paddock Wood, Kent, TN12 6EN .

Your statutory rights are not affected by the guarantee.

Registering your Warranty

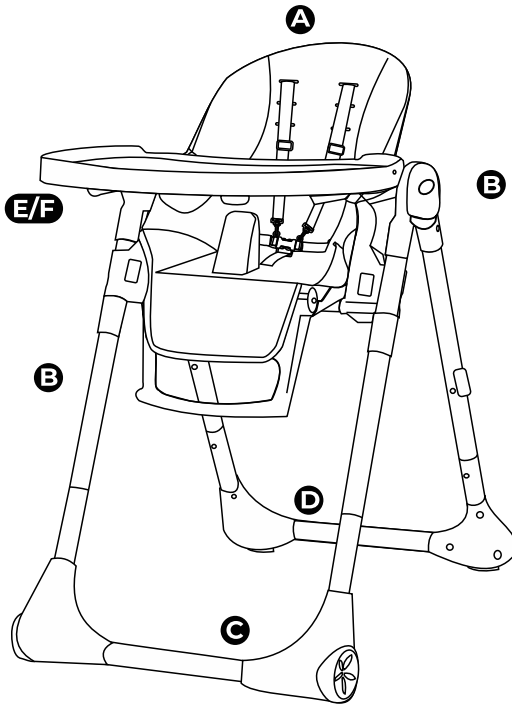
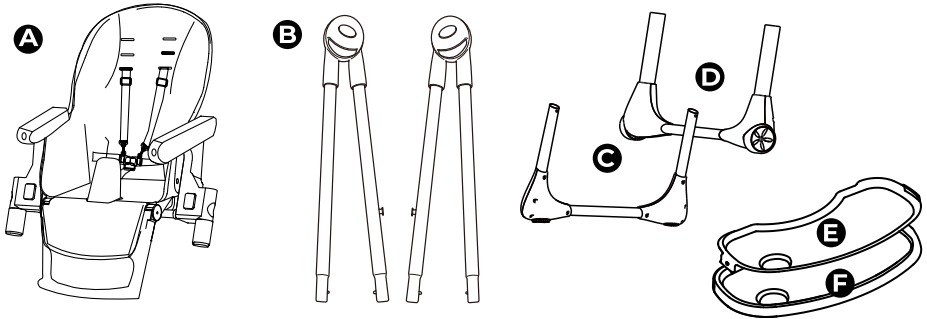
To register your warranty please visit www.mybabiie.com/warranties

Registering for your product warranty allows you to claim repairs or replacements if your product develops a fault. It will also help us contact you in the event of a product issue that you may need to be made aware of.

Problems or Questions

If you have any questions about your product then please drop us an email at info@mybabiie.com and we will get back to you as soon as possible. Alternatively, you can chat to us on our Live Support Chat on our website mybabiie.com or contact us via our social media channels.

Components

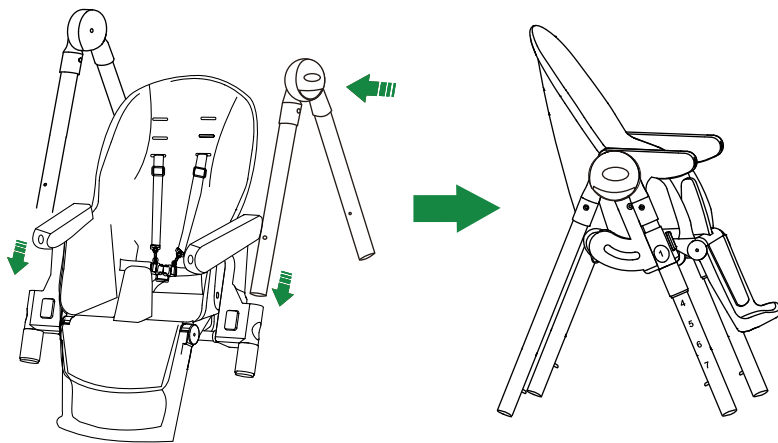


Lie Flat Mode: Suitable from Birth in recline mode up to 9kg or until your child can sit up unaided.

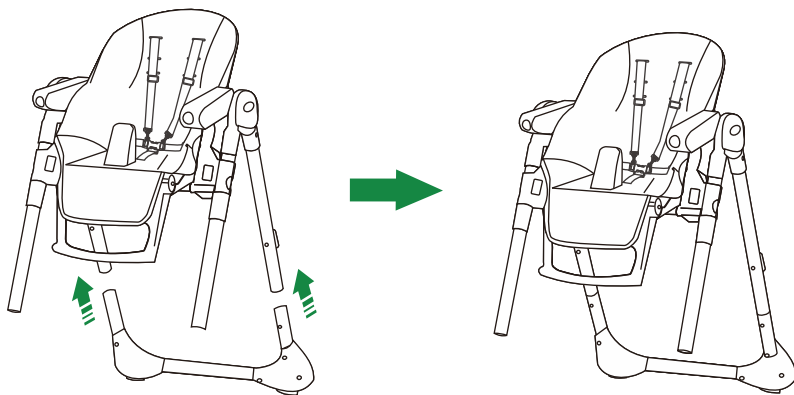
Highchair Mode: This product is intended for children from 6 months, able to sit up unaided and up to 3 years or a maximum weight of 15 kg.

Assembly

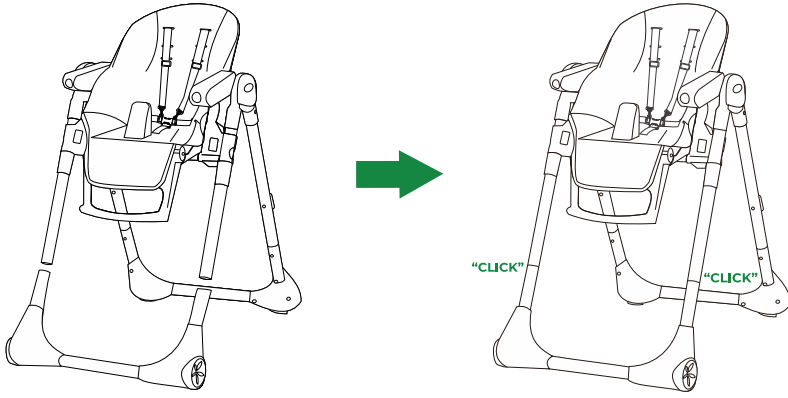
- 1** Open the legs (B) by pressing in the levers at the top of the legs. Insert the front legs (B), numbered 1-7, by pressing in the silver spring and slide through the opening on the seat unit (A) as pictured.



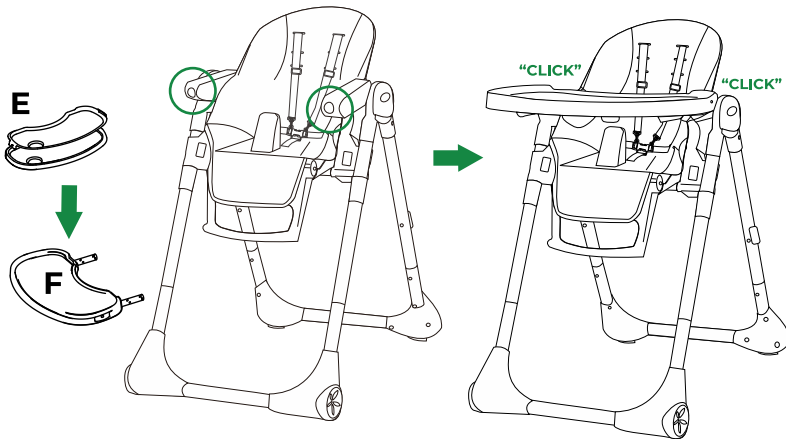
- 2** Attach the feet (D) to the rear legs (B) of the highchair.



- 3** Attach the feet (C) to the front legs (B) of the highchair.

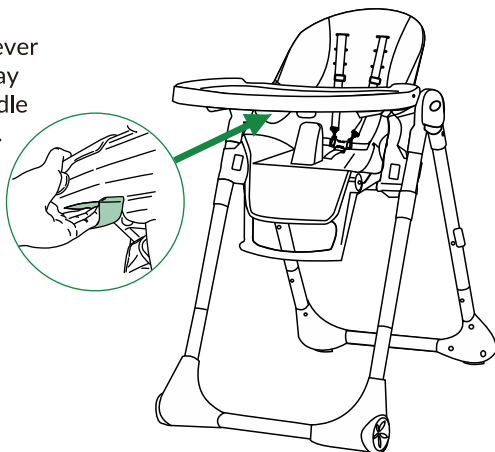


- 4** Position the tray rods so they are level with the holes on the highchair frame, circled, pull and hold the lever on the underside of the tray and slide into place.



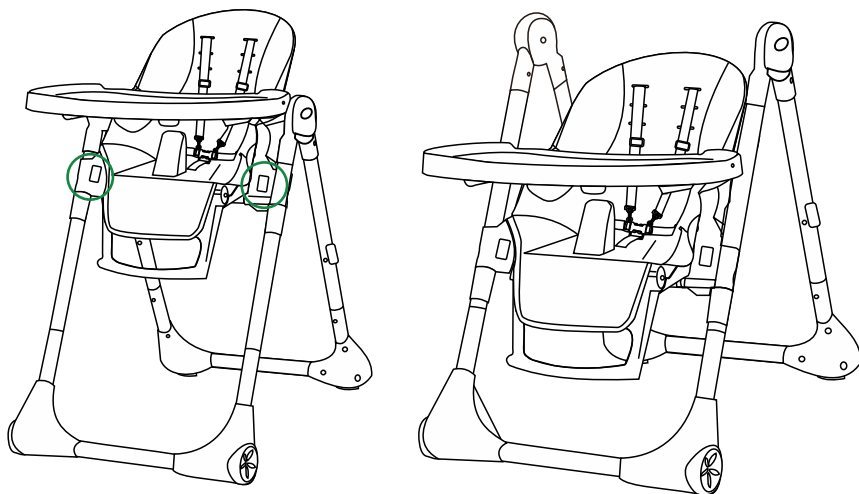
Tray adjustment

- 1 The tray can be adjusted to two different settings by pulling the lever under the tray and moving the tray back and forth. Let go of the handle and move until it locks into place.



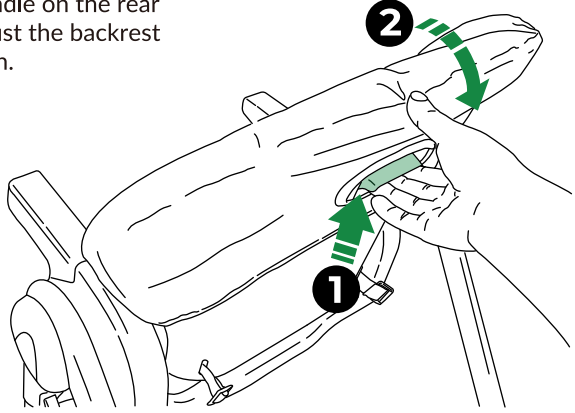
Adjusting the seat height

- 1 To adjust the height of the seat, push in both the height adjusting locks, circled, and simultaneously raise or lower the seat, releasing both of the locks at the required height.

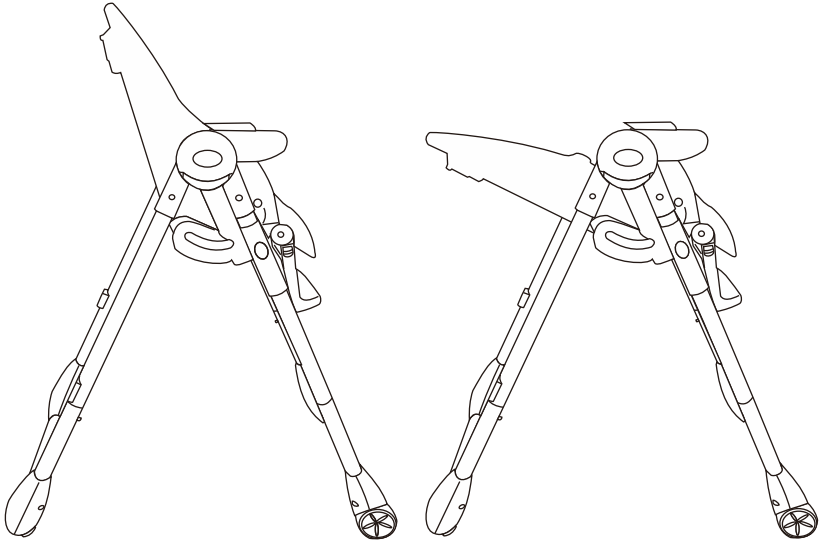


Using the highchair from birth

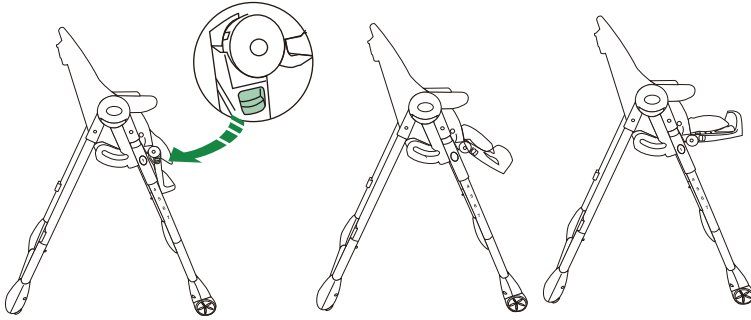
- 1 Press and hold the handle on the rear of the seat unit to adjust the backrest into the lie flat position.



Lie Flat Mode: Suitable from Birth in recline mode up to 9kg or until your child can sit up unaided. **ALWAYS USE THE HARNESS!**



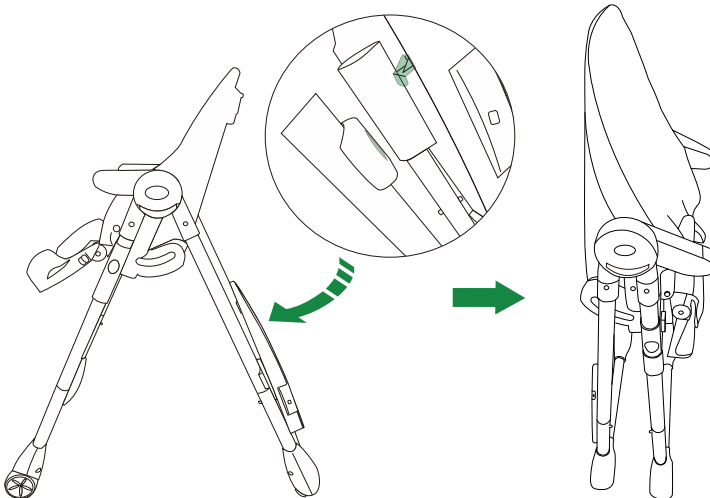
- 2** Adjust the footrest by squeezing the button in both sides the footrest until it is in the horizontal position



Suitable in the fully reclined position from birth to 6 months or until your child can sit up unaided.

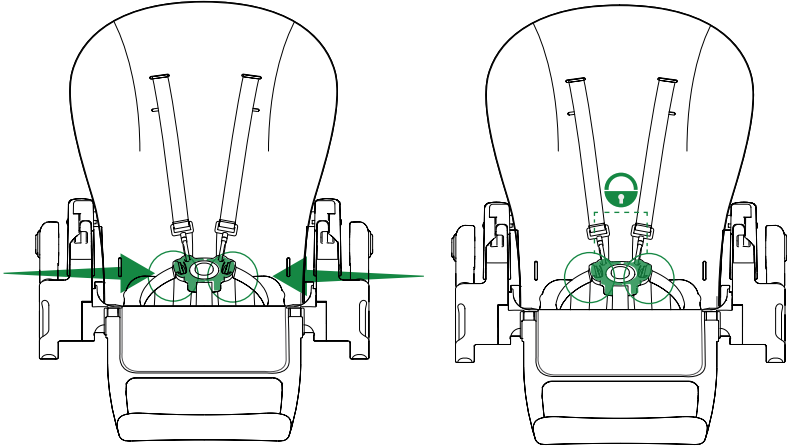
After use

- 1** Remove the tray and store on the rear legs of the highchair, there are plugs provided for it to sit on.
To fold your highchair, push in both of the folding levers, circled, simultaneously and pull the front legs towards the rear legs.

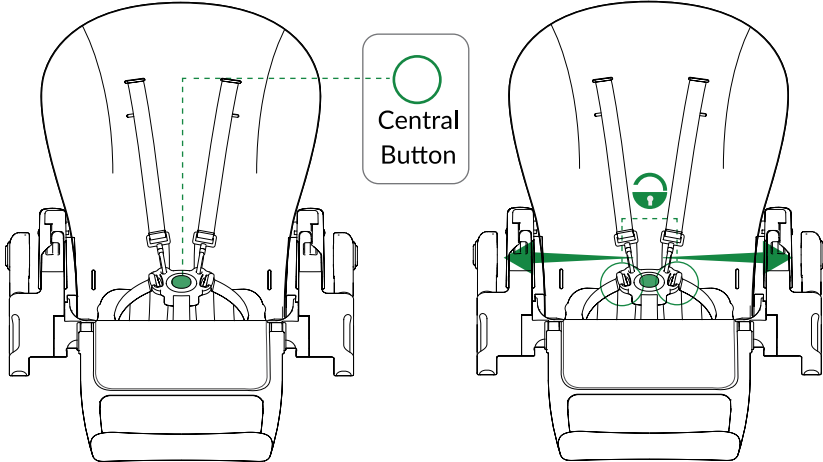


Safety harness

1 Insert both waist belts into the central buckle until you hear a click sound.



2 Press the central button to unfasten the safety belt.



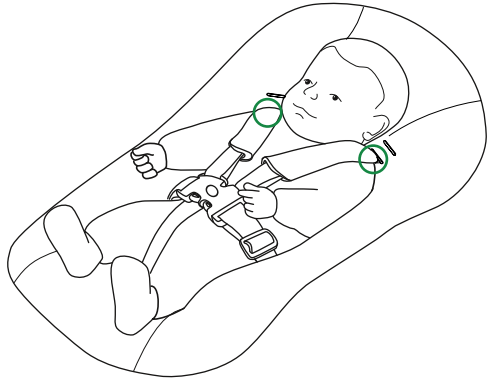
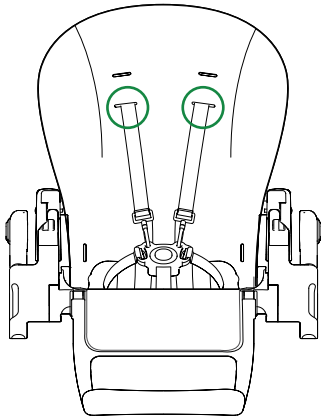
Warning: You must fasten the safety belt when using this highchair.

3 CAUTION

When using the highchair from birth, please ensure you move both harness straps down to the lowest height setting.

The harness has 2 height options. To change the height, simply pop the plastic piece attached at the back of the harness back through the higher slots. Then put it through the lower slots ensuring to pop it in to place at the back.

When using from birth the harness shoulder strap should sit snugly on the child's shoulders, securing them in place. If the straps are sitting too high above the shoulders then you should not use the product until the child is slightly older.



Highchair warnings

Read these instructions carefully before use and keep for future reference.

The child may be hurt if you do not follow these instructions.

Lie Flat Mode (0+): Suitable from Birth in recline mode up to 9kg or until your child can sit up unaided.

Highchair Mode: This product is intended for children able to sit up unaided and up to 3 years or a maximum weight of 15 kg.

WARNING:

- Never leave the child unattended.
- Always keep child in view while in highchair.
- Always use the restraint system.
- Most injuries from highchairs are caused by falls.
- Falling hazard: Prevent your child from climbing on the product.
- Position the highchair away from solid structures and benches to avoid injuries caused by falls and by access to dangerous items.
- Be aware of the risk of tilting when your child can push its feet against a table or any other structure.
- Do not use the highchair unless all components are correctly fitted and adjusted.
- Be aware of the risk of open fire and other sources of strong heat, such as electric bar fires, gas fires etc. in the vicinity of the highchair.
- To avoid injury ensure that your child is kept away when unfolding and folding this product.
- Position the highchair on a flat, even and horizontal floor and do not elevate the highchair on any structure or table.
- To reduce the risk of injury, position the highchair away from furniture, walls, hot surfaces and liquids, window covering cords and electrical cords and position.
- The highchair should only be used in an upright position once the child is capable of reliably and consistently sitting upright.
- Do not allow anyone to climb or stand on or inside of this highchair.
- **Do not use the highchair until the child can sit up unaided. This is usually around 6 months of age.**
- **Do not use in recline mode once your child can sit unaided.**
- Keep children away when unfolding and folding the highchair to avoid injury.
- To reduce the risk of injury, position the highchair away from furniture, walls, hot surfaces and liquids, window covering cords and electrical cords.
- You can not use the highchair without the tray.
- In lay flat mode, do not use for prolonged periods of time. If your child is feeling sleepy then move them to a cot/bed/bassinet or something suitable for sleeping in.
- Do not use the highchair if any part is broken, torn or missing. If any part of the highchair is not working correctly, repairs are recommended.
- It is dangerous to use this highchair on an elevated surface, e.g. a table.
- Regularly check all connections to ensure they are tight.
- Keep the plastic packaging away from children to avoid danger of suffocation.
- Do not use accessories or replacement parts other than those approved by the manufacturer.

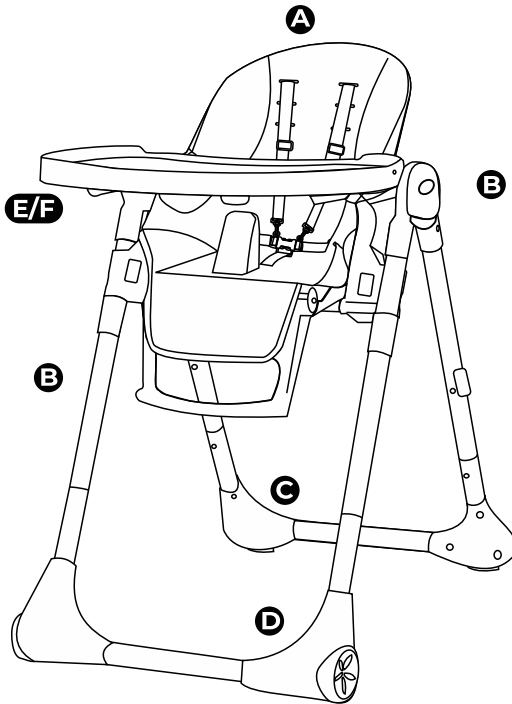
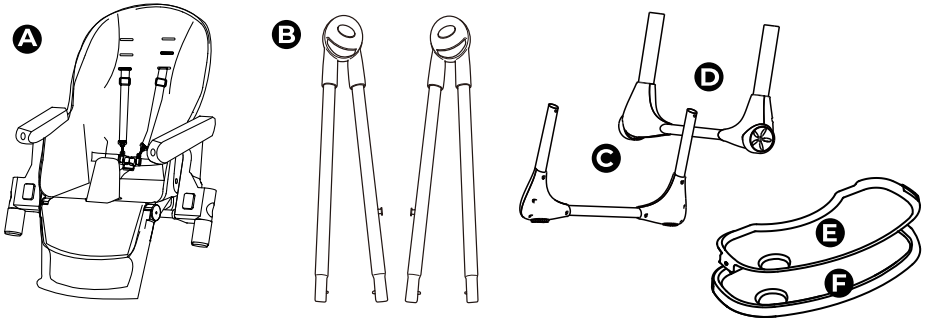
Complies to BS EN 14988: 2017 +A1:2020 and BS EN 12790 : 2009

Care and maintenance

- The correct use and maintenance of this highchair is essential.
- This product requires regular maintenance to keep it in good working order.
- Moving parts may be lubricated with a light silicone oil.
- Regularly check all parts of the product to ensure that they are operating correctly and for signs of wear or damage.
- Do not use this product if any part is broken, torn or missing and use only spares provided by the manufacturer.

Cleaning

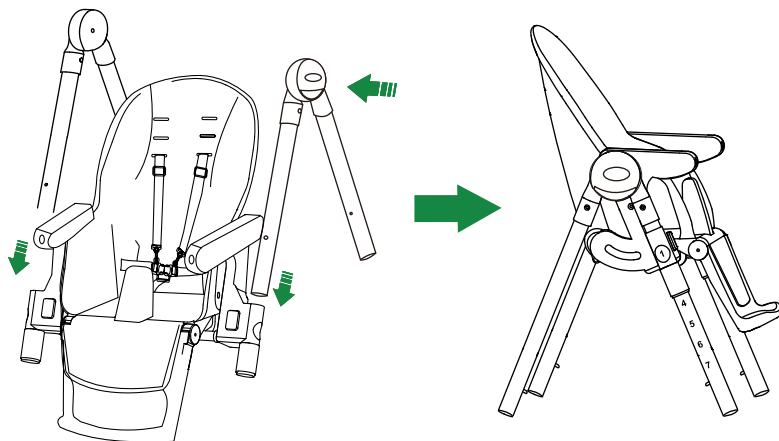
- Spot clean the seat pad. Use mild soap and water solution.
- NEVER use bleach. Dry in shade thoroughly before reuse and avoid direct heat and sunlight. Do not iron. Do not dry clean.
- Sponge clean harness with a mild soap and water solution. Rinse and wipe dry.
- Never clean any part of highchair with abrasive, ammonia based, bleach based or spirit type cleaners.
- Ensure the product is fully dry before use or storage.
- Always ensure the highchair is stored in a dry place to prevent mold or mildew developing.



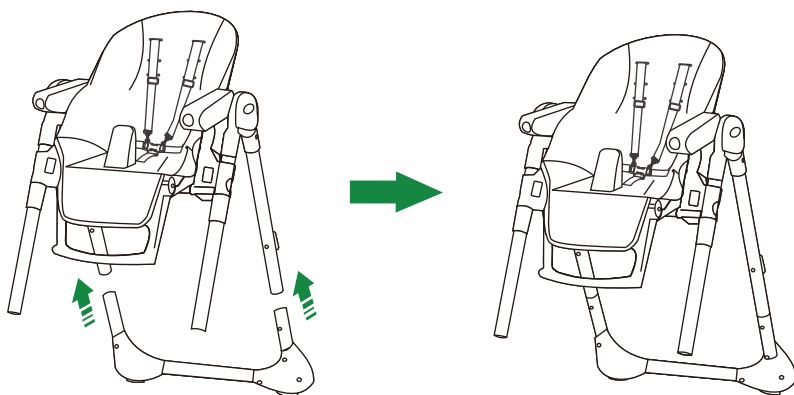
Modo acostado: Adecuado desde el nacimiento en modo reclinado hasta 9 kg o hasta que su hijo pueda sentarse sin ayuda.

Modo Trona: Este producto está destinado a niños a partir de 6 meses, capaces de sentarse sin ayuda y hasta los 3 años o un peso máximo de 15 kg.

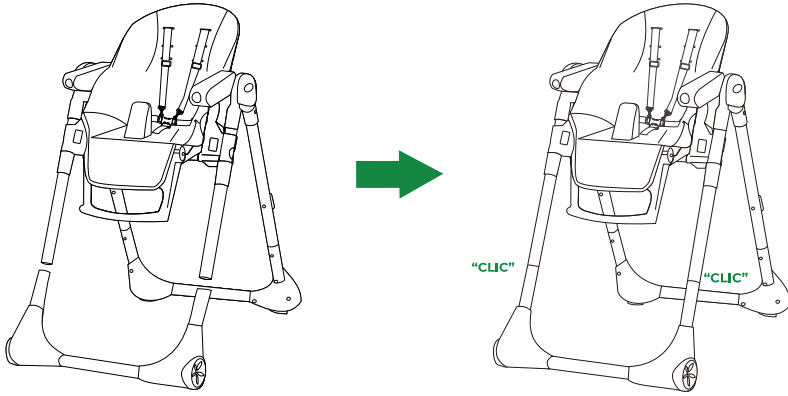
- 1** Abra las patas (B) presionando las palancas en la parte superior de las patas. Inserte las patas delanteras (B), numeradas del 1 al 7, presionando el resorte plateado (en un círculo) y deslícelas a través de la abertura de la unidad del asiento (A) como se muestra en la imagen.



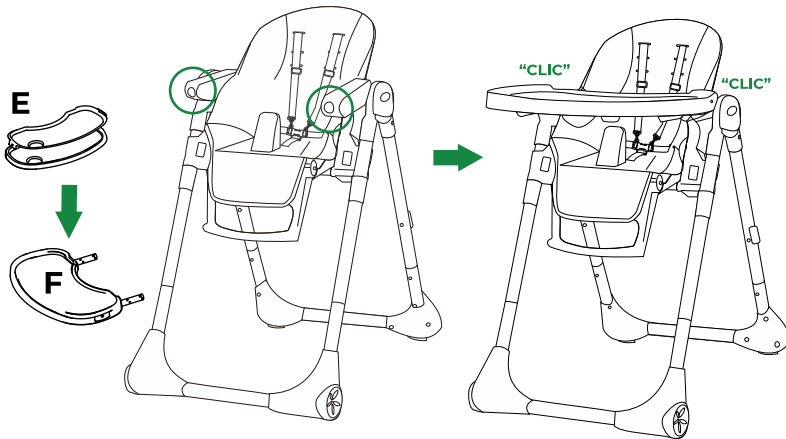
- 2** Conecte los pies (D) a las patas traseras (B) de la trona.



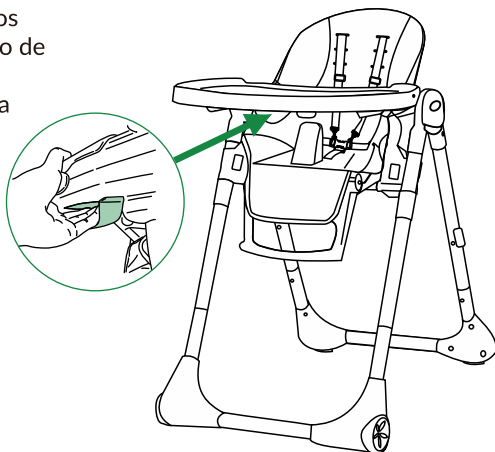
- 3** Conecte los pies (C) a las patas delanteras (B) de la trona.



- 4** Coloque las varillas de la bandeja de manera que queden al nivel de los orificios en el marco de la trona, en círculos, tire y sostenga la palanca en la parte inferior de la bandeja y deslícelas en su lugar.

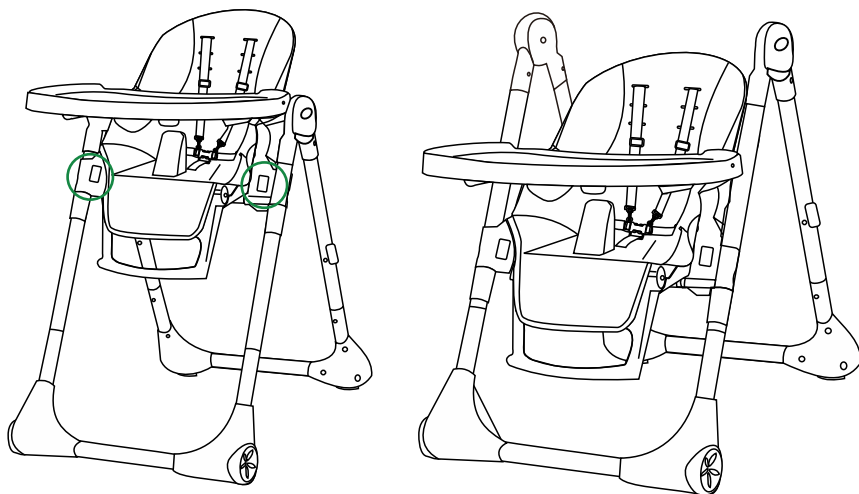


- 1 La bandeja se puede ajustar en dos configuraciones diferentes tirando de la palanca debajo de la bandeja y moviéndola hacia adelante y hacia atrás. Suelte la manija y muévala hasta que encaje en su lugar.



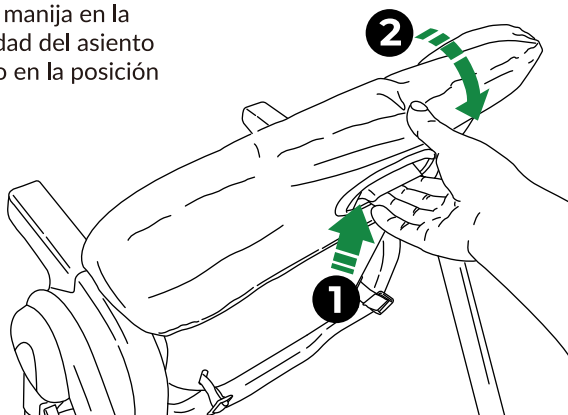
Ajustar la altura del asiento

- 1 Para ajustar la altura del asiento, presione ambas cerraduras de ajuste de altura, círculo y, simultáneamente, suba o baje el asiento liberando ambos bloqueos. a la altura requerida.

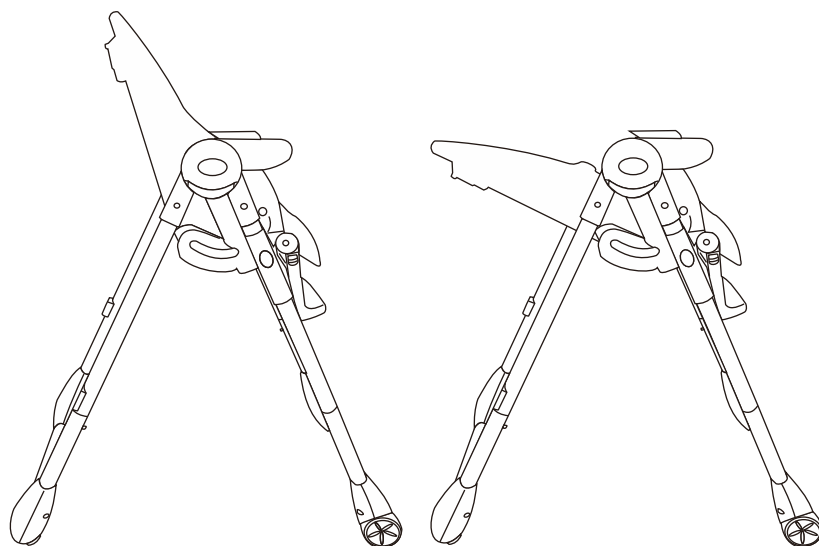


Usar la trona desde el nacimiento

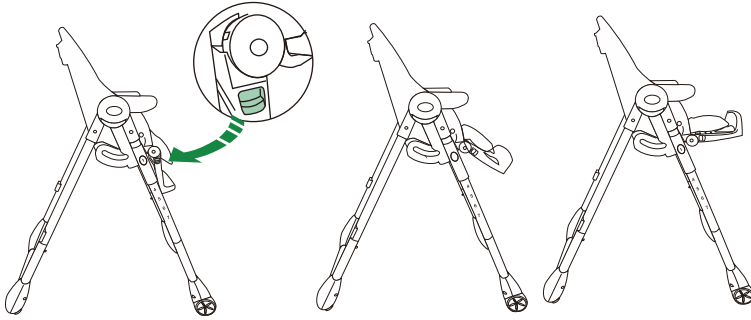
- 1 Presione y sostenga la manija en la parte trasera de la unidad del asiento para ajustar el respaldo en la posición tumbada.



Modo acostado: Adecuado desde el nacimiento en modo reclinado hasta 9 kg o hasta que su hijo pueda sentarse sin ayuda. **¡UTILIZA SIEMPRE EL ARNÉS!**



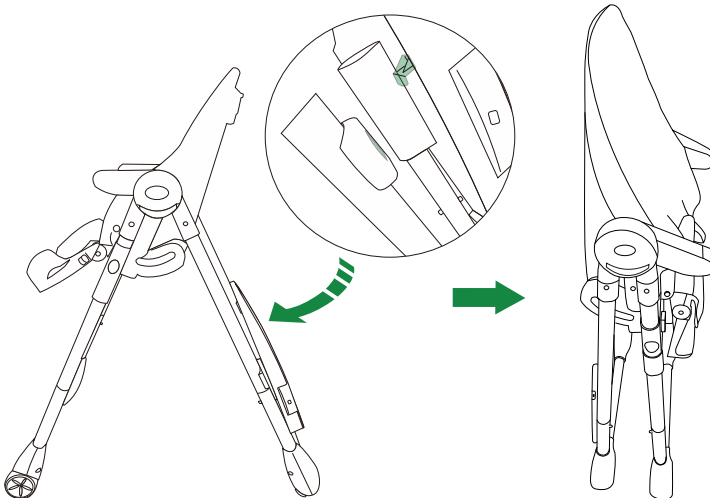
- 2** Ajuste el reposapiés apretando el botón en ambos lados del reposapiés hasta esta en posición horizontal.



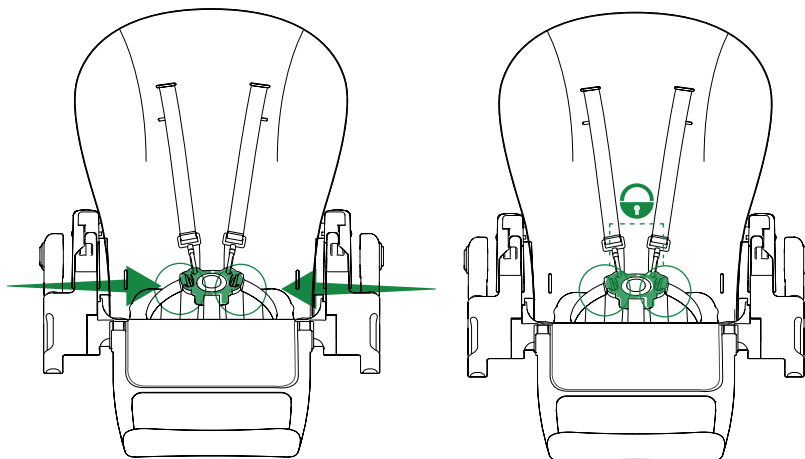
Suitable in the fully reclined position from birth to 6 months or until your child can sit up unaided.

Después de su uso

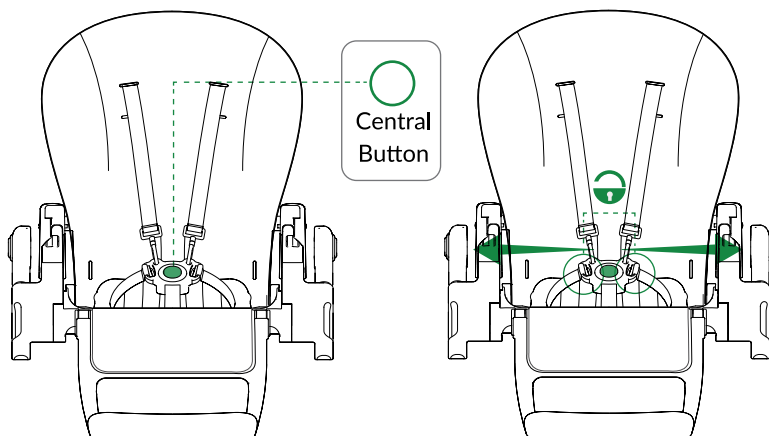
- 1** Retire la bandeja y guárdela en las patas traseras de la trona; se proporcionan tapones para sentarse. Para plegar su trona, presione ambas palancas de plegado, rodeadas en círculos, simultáneamente y tire de las patas delanteras hacia las traseras.



- 1** Inserte ambos cinturones en la hebilla central hasta que escuche un clic.



- 2** Pulsa el botón central para desabrochar el cinturón de seguridad.



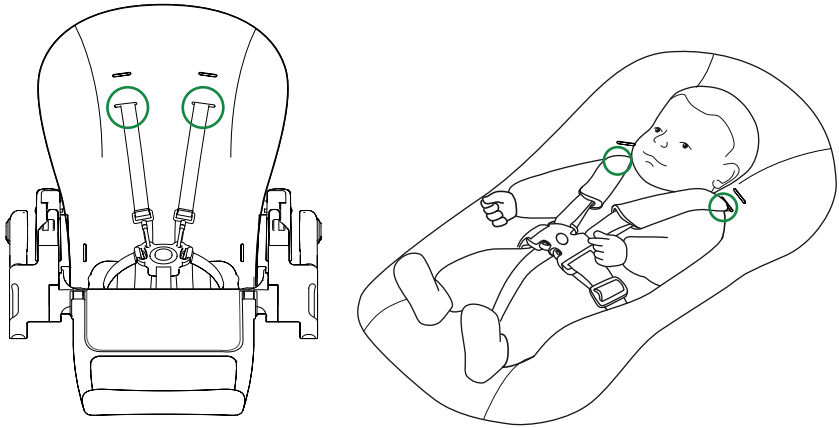
Advertencia: Debes abrocharte el cinturón de seguridad cuando utilices esta trona.

3 PRECAUCIÓN

Cuando utilice la trona desde el nacimiento, asegúrese de bajar ambas correas del arnés al ajuste de altura más bajo.

El arnés tiene 2 opciones de altura. Para cambiar la altura, simplemente introduzca la pieza de plástico adjunta en la parte posterior del arnés a través de las ranuras superiores. Luego, páselo por las ranuras inferiores asegurándose de colocarlo en la parte posterior.

Cuando se utiliza desde el nacimiento, la correa para el hombro del arnés debe quedar ajustada sobre los hombros del niño, asegurándolos en su lugar. Si las correas quedan demasiado altas por encima de los hombros, no debe utilizar el producto hasta que el niño sea un poco mayor.



Lea estas instrucciones detenidamente antes de usarlas y consérvelas para consultarlas en el futuro.

El niño puede resultar herido si no sigue estas instrucciones.

Modo Acostado (0+): Adecuado desde el nacimiento en modo reclinado hasta 9 kg o hasta que su hijo pueda sentarse sin ayuda.

Modo Trona: Este producto está destinado a niños capaces de sentarse sin ayuda y hasta 3 años o un peso máximo de 15 kg.

ADVERTENCIA:

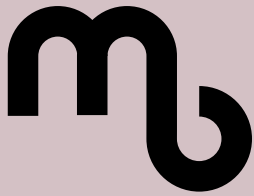
- Nunca deje al niño desatendido.
- Mantenga siempre al niño a la vista mientras esté en la silla alta.
- Utilice siempre el sistema de retención.
- La mayoría de las lesiones causadas por sillas altas son causadas por caídas.
- Peligro de caída: Evite que su niño se suba al producto.
- Coloque la trona alejada de estructuras sólidas y bancos para evitar lesiones causadas por caídas y por acceso a objetos peligrosos.
- Tenga en cuenta el riesgo de que su hijo se incline cuando pueda empujar sus pies contra una mesa o cualquier otra estructura.
- No utilice la trona a menos que todos los componentes estén instalados y ajustados correctamente.
- Tenga en cuenta el riesgo de fuego abierto y otras fuentes de calor fuerte, como barras eléctricas, fogones de gas, etc. en las proximidades de la trona.
- Para evitar lesiones, asegúrese de mantener alejado al niño cuando despliegue y pliegue este producto.
- Coloque la trona sobre un suelo plano, uniforme y horizontal y no eleve la trona sobre cualquier estructura o mesa.
- Para reducir el riesgo de lesiones, coloque la trona lejos de muebles, paredes, fuentes de calor, superficies y líquidos, cables de cubiertas de ventanas y cables eléctricos y posición.
- La trona sólo debe utilizarse en posición vertical una vez que el niño sea capaz de sentarse erguido de forma fiable y constante.
- No permita que nadie suba o se pare sobre o dentro de esta trona.
- **No utilice la trona hasta que el niño pueda sentarse sin ayuda. Esto suele ser alrededor de las 6 meses de edad.**
- **No lo utilice en modo reclinado una vez que su hijo pueda sentarse sin ayuda.**
- Mantenga alejados a los niños al desplegar y plegar la trona para evitar lesiones.
- Para reducir el riesgo de lesiones, coloque la trona lejos de muebles, paredes, fuentes de calor, superficies y líquidos, cables para cubrir ventanas y cables eléctricos.
- En modo plano, no lo utilice durante períodos de tiempo prolongados. Si su hijo tiene sueño, llévelo a una cuna, cama, moisés o algo adecuado para dormir.
- Esta trona, en modo reclinado, no está diseñada para dormir durante períodos prolongados.
- No utilice la trona si alguna pieza está rota, rota o falta. Si alguna parte de la trona no funciona correctamente, se recomienda repararla.
- Es peligroso utilizar esta trona en una superficie elevada, p. una mesa.
- Verifique periódicamente todas las conexiones para asegurarse de que estén apretadas.
- Mantenga el embalaje de plástico fuera del alcance de los niños para evitar peligro de asfixia.
- No utilice accesorios ni piezas de repuesto que no sean los aprobados por el fabricante.

Cumple con BS EN 14988: 2017 +A1:2020 y BS EN 12790: 2009

- El correcto uso y mantenimiento de esta trona es fundamental.
- Este producto requiere mantenimiento regular para mantenerlo en buen estado de funcionamiento.
- Las piezas móviles pueden lubricarse con un aceite de silicona ligero.
- Compruebe periódicamente todas las piezas del producto para asegurarse de que funcionan correctamente y para detectar signos de desgaste o daños.
- No utilice este producto si alguna pieza está rota, rota o falta y utilice sólo repuestos proporcionada por el fabricante.

Limpieza

- Limpie la almohadilla del asiento. Utilice una solución de agua y jabón suave.
- NUNCA use lejía. Seque completamente a la sombra antes de volver a usarlo y evite el calor directo y luz de sol. No planchar. No lavar en seco.
- Limpie el arnés con una esponja con una solución de agua y jabón suave. Enjuague y seque.
- Nunca limpie ninguna parte de la trona con abrasivos, a base de amoníaco, lejía o alcohol tipo limpiadores.
- Asegúrese de que el producto esté completamente seco antes de usarlo o almacenarlo.
- Asegúrese siempre de guardar la trona en un lugar seco para evitar la aparición de moho o hongos desarrollando.



Register your product

www.mybabiie.com/warranties

In the first instance of needing assistance please contact your original place of purchase.

This product qualifies for 12 month warranty when registered through our website

mybabiie.com



My Babiie



@MyBabiieOfficial



My Babiie



@mybabiie_official



@MyBabiie

My Babiie Ltd, Paddock Wood, Kent, TN12 6EN

My Babiie EU , Generaal Vetterstraat 76A, 1059 BW Amsterdam, The Netherlands