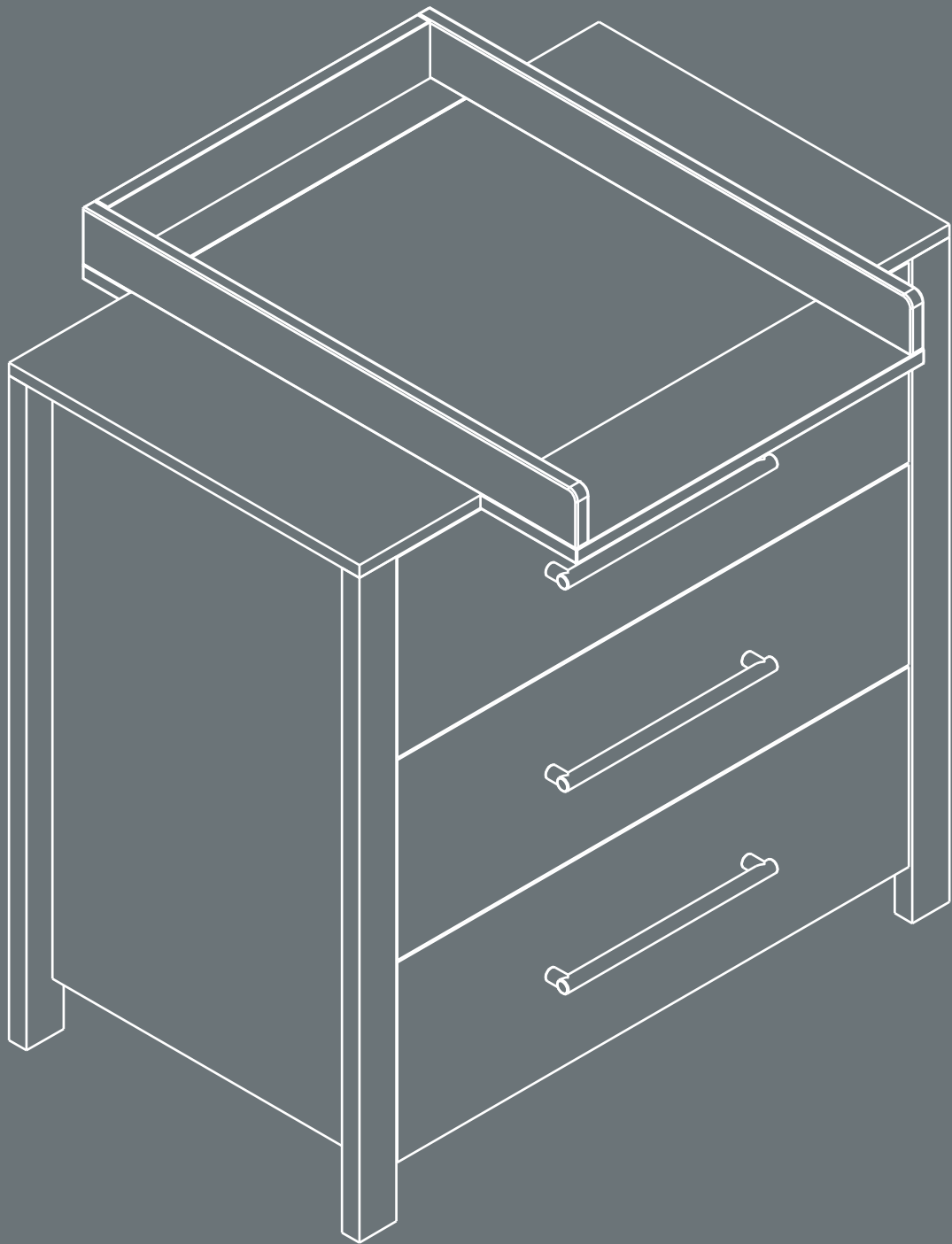


Tivoli

Chest Changer



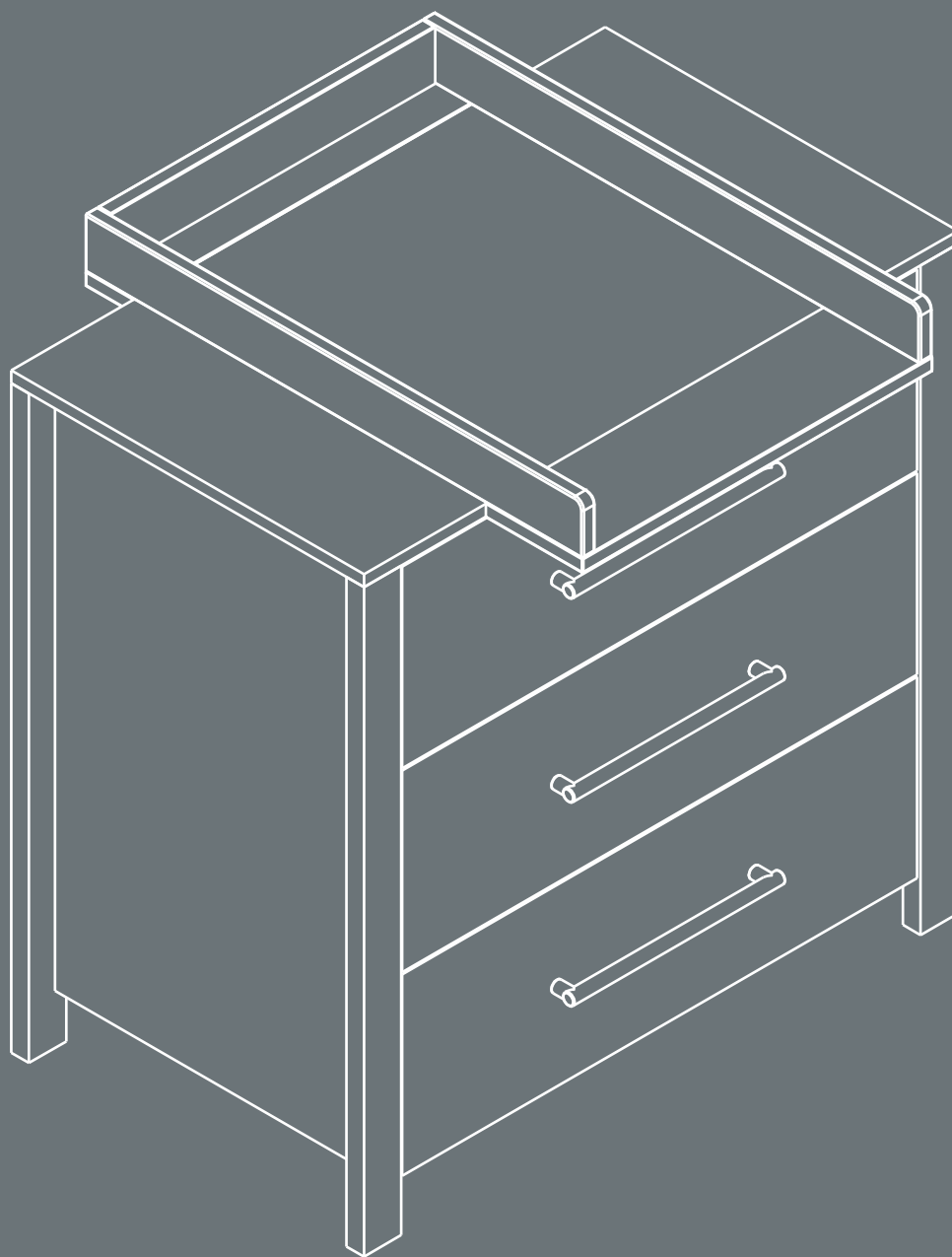
Assembly Instructions

Conforms to BS EN 12221:2008+A1 2013
Tutti Frutti Direct Ltd. 1068 High Road, London, N20 0QP
t: +44(0)208 368 5800
e: support@tuttibambini.com
www.tuttibambini.com

Tivoli

Chest Changer

211463



IMPORTANT:RETAIN FOR FUTURE REFERENCE.
READ CAREFULLY

Hello,

PLEASE READ THIS LEAFLET BEFORE ASSEMBLY

Dear Customer,

Thank you for buying Tutti Bambini furniture. Follow the instructions carefully and check that you have all the elements including the fittings before attempting assembly. If there are any missing or damaged parts, please inform us before you start the assembly. **WARNING:** installation shall be carried out exactly according to the manufacturer's instructions otherwise a safety risk can occur if incorrectly installed. Please note that incorrect assembly of your furniture will not be a basis for a claim against the product being damaged.

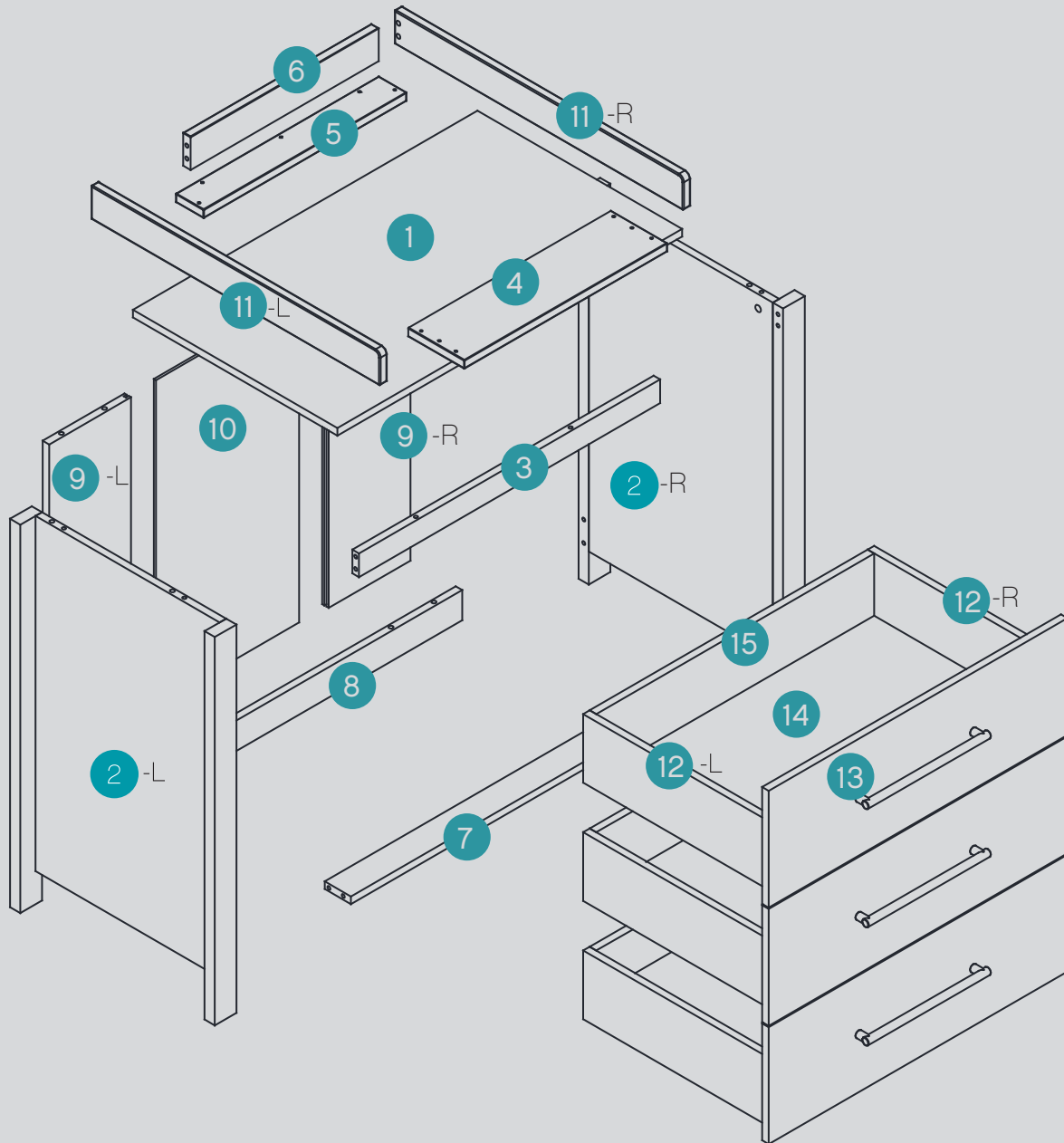
In the unlikely event that your furniture is found to be faulty, we ask that you send an email to: support@tuttibambini.com with the following information that can be found on the white label on the outside parcel.

- Name
- Postcode
- Contact telephone number
- Sales order number (found on white label)
 - Product name & colour
 - Damaged part number
- A photo or video of the damaged part





Tutti Bambini guarantee your product against faulty manufacture for a period of 12 months from date of receipt of purchase. This does not affect your statutory rights





Team Tutti




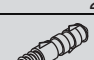
Parts List



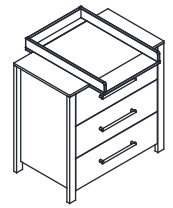
Hardware List

ID#	 1pc for replacement	Qty
A	6.5x40mm	53 pc
ID#	 2pc for replacement	Qty
B	15x11.5mm	54 pc
ID#	 Corner support	Qty
C	15x10mm	6 pc
ID#	 Ø3.5x35mm	Qty
D		11 pc

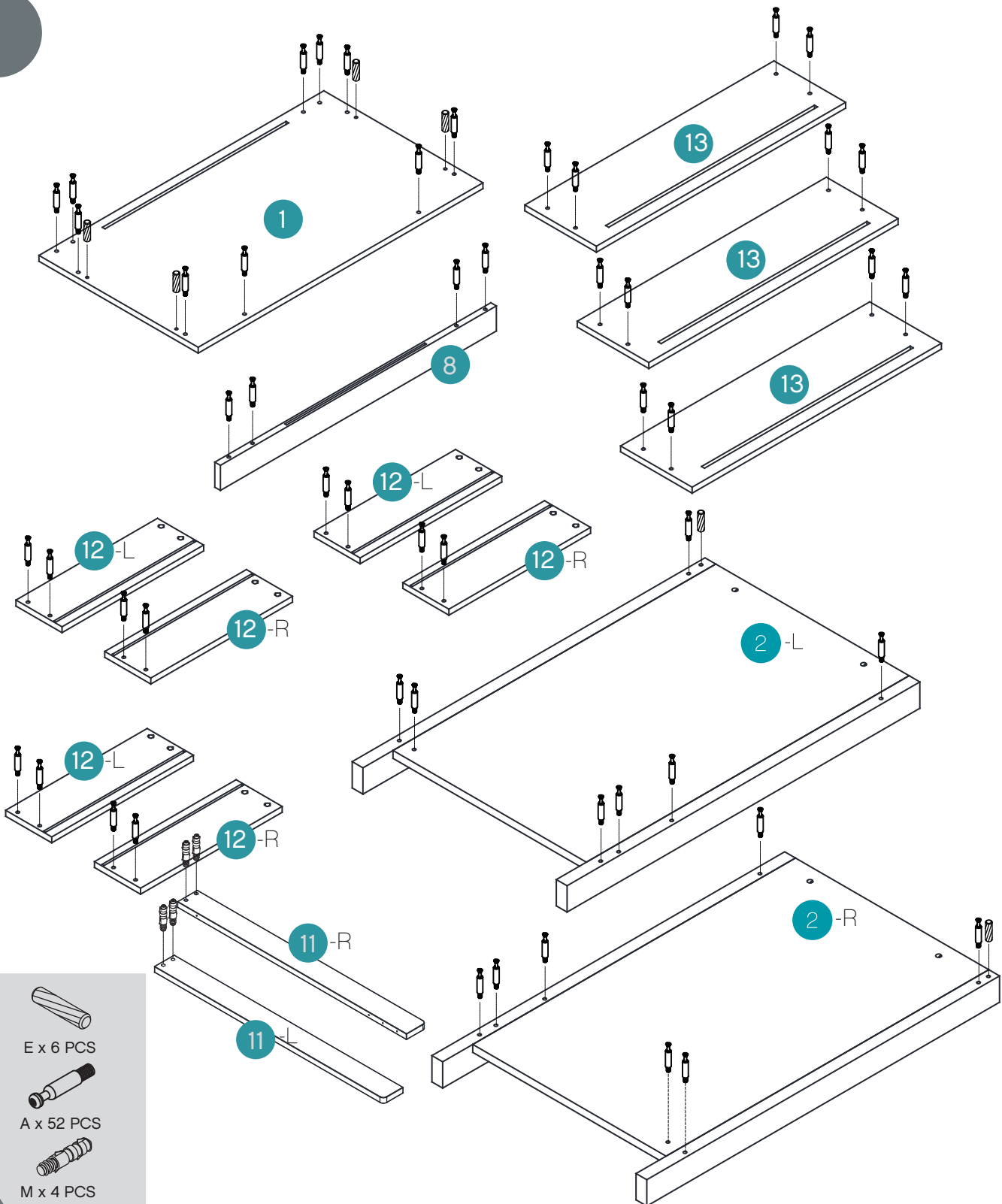
ID#	 8x40mm	Qty
E		6 pc
ID#	 3pc	Qty
F		3 pc
ID#	 soft closing runners	Qty
G	450mm	3 pc
ID#	 1pc for replacement	Qty
K	Ø3.5x14mm	31 pc

ID#	 4x16mm	Qty
H		1 pc
ID#	 10/6mm	Qty
I		1 pc
ID#	 200x30mm	Qty
J		1 pc
ID#	 6.5x40mm	Qty
M		4 pc

Assembling into chest

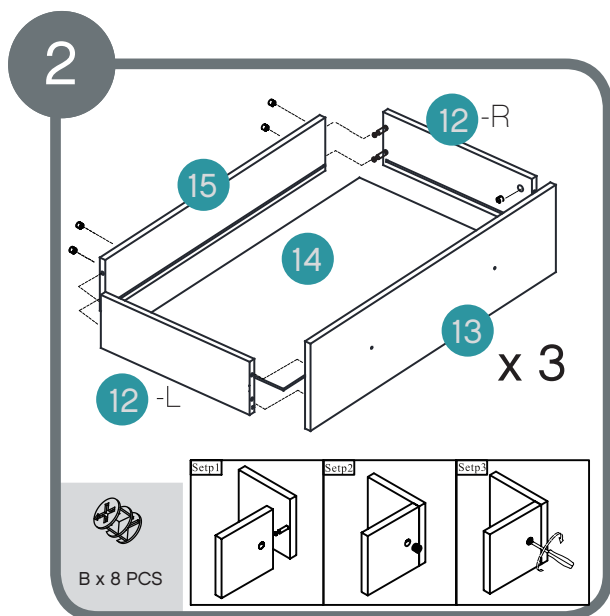
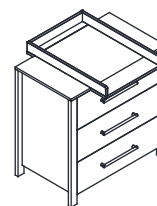


1

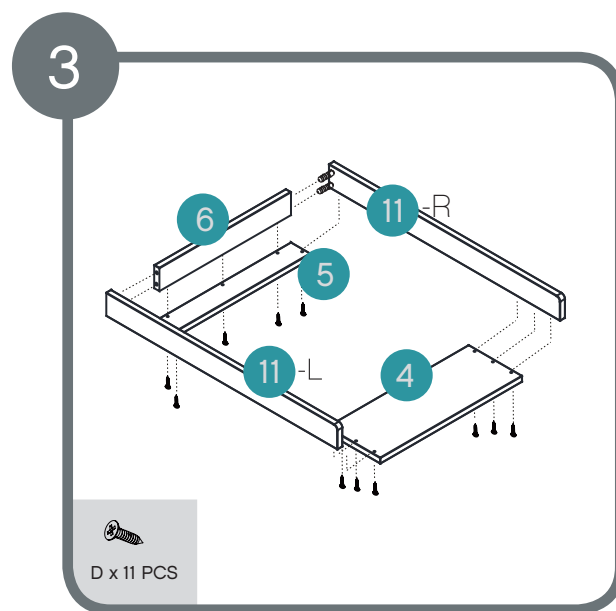


Assemble metal dowels A x 52.
Assemble metal dowels M x 4.
Assemble wooden dowels E x 6.

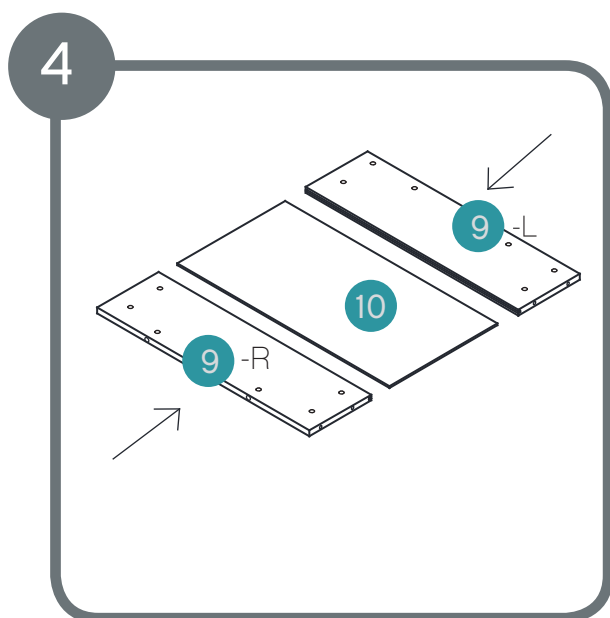
Assembling into chest



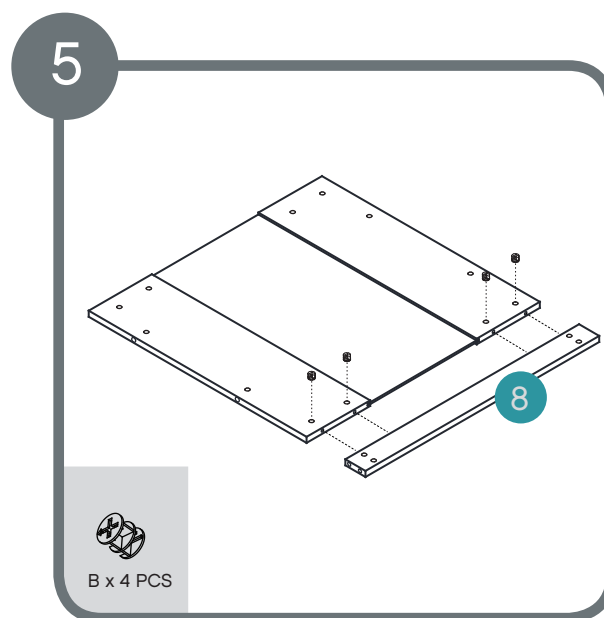
Assemble locking nuts 24 x B.



Assemble screw 11 x D.

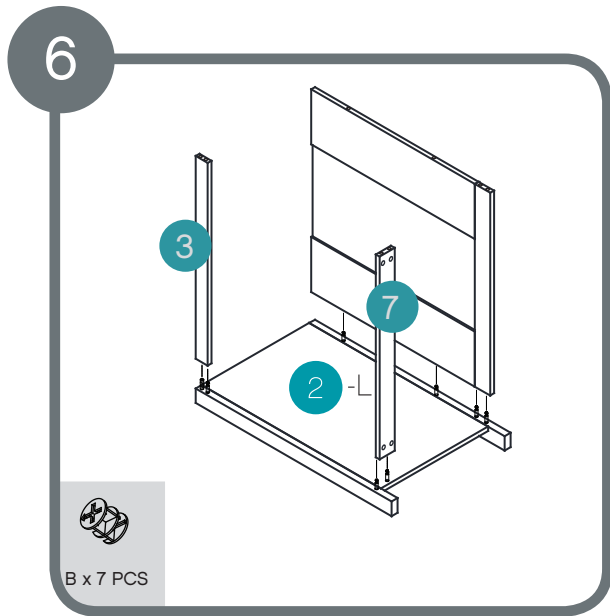
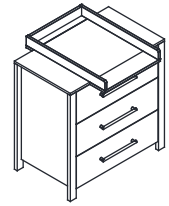


Assemble the back board

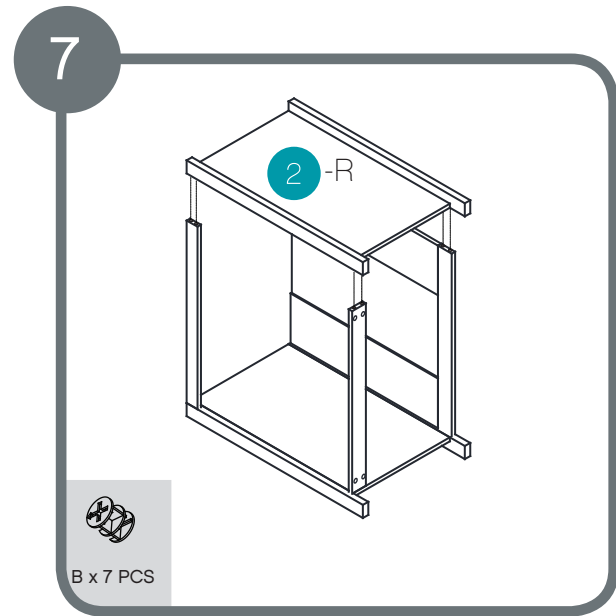


Assemble locking nuts 4 x B.

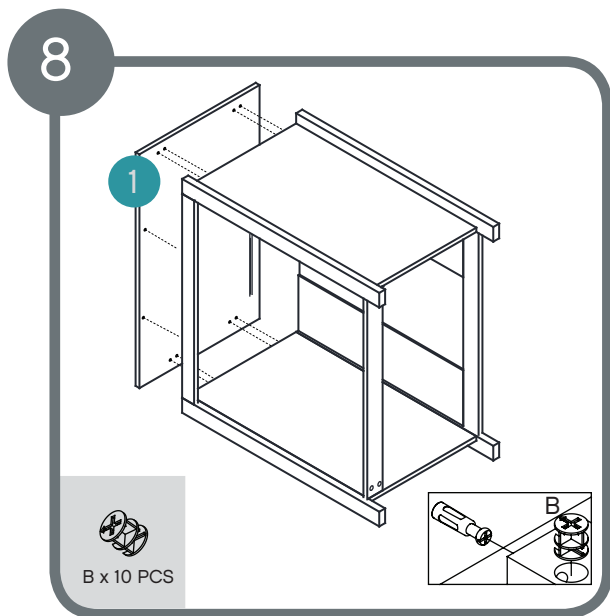
Assembling into chest



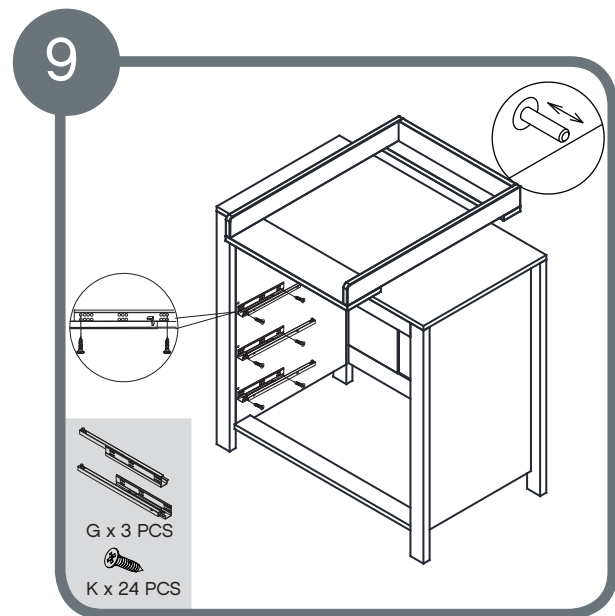
Assemble locking nuts 7 x B.



Assemble locking nuts 7 x B.

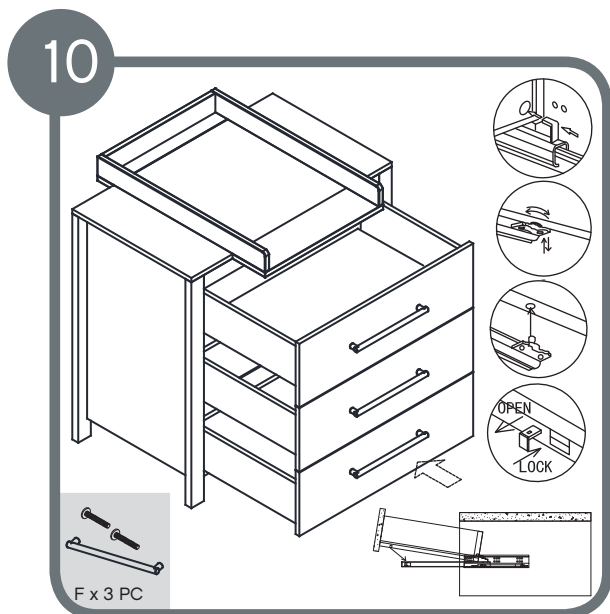
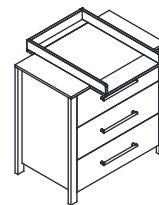


Assemble locking nuts 10 x B.

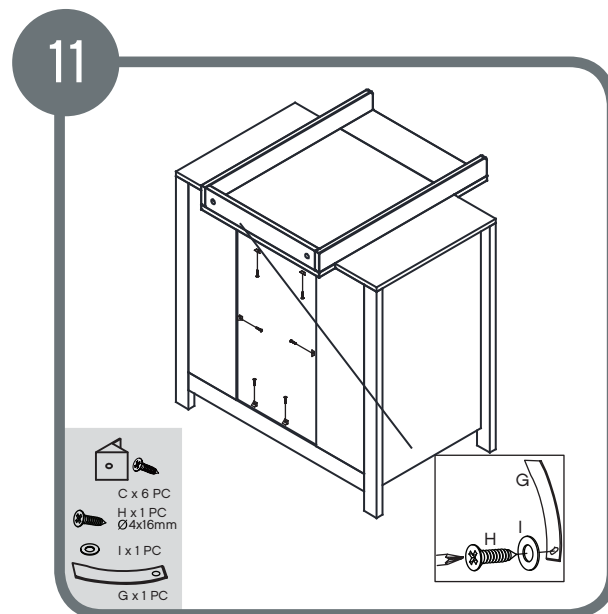


Assemble top frame to cabinet body
Assemble runners.

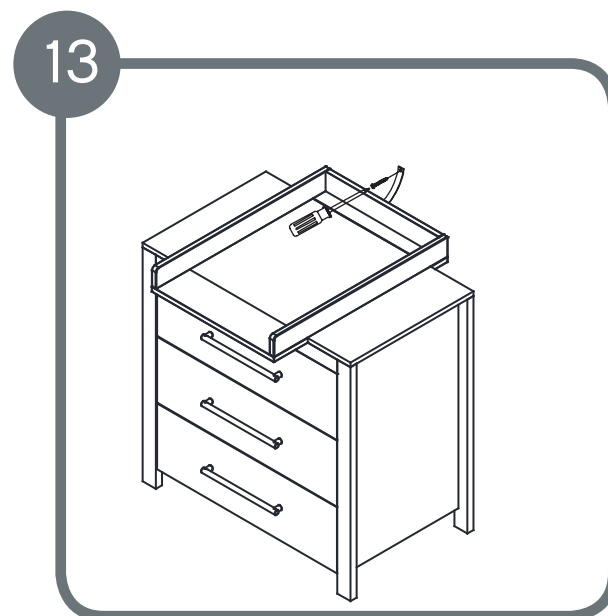
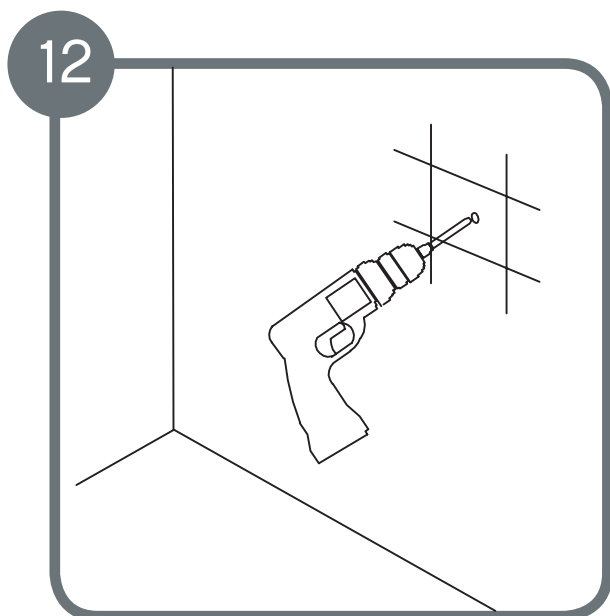
Assembling into chest



Assemble the drawers



Assemble anti falling hardware H x 1, I x 1, G x 1. Assemble back panel buckle C x 6



Fittings to attach the strap to the wall are not provided and suitable fittings for the wall type should be used. Caution: The drawer is not provided with end stops that prevent it from being pulled out of the unit

Safety advice and maintenance

IMPORTANT! KEEP FOR FUTURE REFERENCE: READ CAREFULLY

1. WARNING: Never leave your child unattended. The safety of your child is your responsibility.
2. WARNING: Do not allow children to climb on the chest changer..
3. WARNING: Never leave your child unattended on the chest changer.
4. WARNING: Do not use the chest changer if it is damaged or broken or there are parts missing.
Use only spare parts approved by Tutti Bambini.
5. WARNING: Do not place the chest changer near the vicinity of open fires or other surfaces of strong heat, such as gas or electric fires.
6. Always leave the chest changer clean and dry. Wipe away any spillage straight away. The chest changer may be cleaned with a damp cloth. Do not use aggressive cleaning agents such as bleach or strong detergents.
7. Check on a regular basis that all fittings and screws are correctly tightened and are not damaged. Loose screws can pinch parts of the body and clothing resulting in the risk of strangulation.
8. Do not twist or pivot the chest changer, if it is to be moved always lift with two people.
9. Maximum weight of the child 11kg or maximum age to 12 months.
10. A changing pad is not supplied with this chest. A changing pad no more than 460*780*20mm can be purchased from specialist baby stores and for the use of the unit as a babychanger. Changing pad within the barrier located at the top of the changer.
11. WARNING: In order to prevent overturning this product must be used with the wall attachment device provided.
12. Any additional or replacement parts are obtained from the Tutti Bambini or its distributor.

Product development dictates that components may occasionally differ from the ones shown in the diagrams of these instructions. The right to change the specifications and design of the furniture without prior notice remains with the manufacturer.

Guarantee

All our products are produced from the finest quality materials and are manufactured under the strictest quality controls. We guarantee all our products or parts thereof against faulty manufacture for a period of one year from date of purchase. This guarantee is not effective against accidental damage or damage caused by incorrect use or neglect. This does not affect your statutory rights.

Join Us



Follow us on Facebook
TuttiBambiniUK



Follow us on Twitter
TuttiBambiniUK



Follow us on Instagram
TuttiBambiniUK



www.tuttibambini.com