

Clippasafe



IMPORTANT - READ INSTRUCTIONS CAREFULLY AND KEEP FOR FUTURE REFERENCE

Extendable Fireguard

Instructions for Assembly and Use

DIMENSIONAL INFORMATION

Width: 89cm - 150cm adjustable
 Depth: 45cm from mounting surface
 Height: 69cm
 May be mounted around a hearth of maximum size 148cm x 44cm. Alternatively may be mounted on a flat hearth of minimum size 100cm x 50cm.

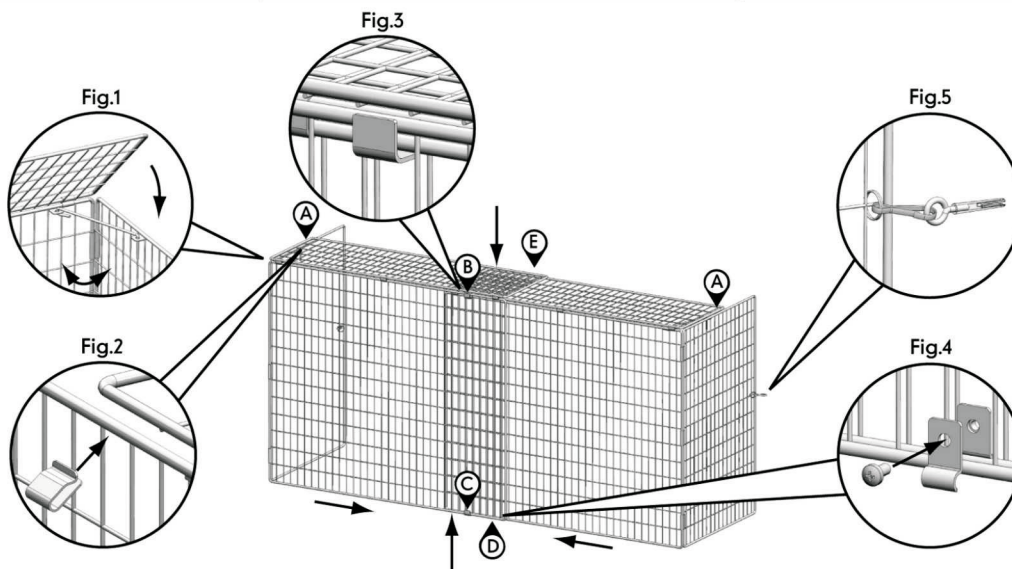
PACK CONTENTS

1 - Left Hand Fireguard Assembly
 1 - Right Hand Fireguard Assembly
 2 - Safety Hooks
 2 - Screw Eyes 2 - Threaded Locking Tabs
 2 - Spring Clips 2 - Screws
 2 - Locking Tabs 1 - Instruction Sheet

TOOLS REQUIRED

For Assembly:
 Cross Blade Screwdriver

Tools may be required for fitting this Fireguard depending on the mounting surface to which it is to be fitted.



IMPORTANT:

The fireguard must be assembled before use and fitted securely in accordance with these instructions, to provide adequate protection. Position the fireguard so that all parts of it are at least 300mm away from any exposed burning fuel, heated elements or radiants.

ASSEMBLY

1. Unfold the left hand assembly by raising the top panel and swinging the side panel beneath it. Note that the hook and lugs near the top corners should be facing inwards.
2. Locate the wire hook through the hole in the lug, which is welded on the side panel, then rest the top panel on the hook (Fig. 1).
3. Secure the top panel in place by using a spring clip at point 'A', pressing the open end over the edge of the side panel then over the edge of the top panel (Fig. 2)
4. Repeat the steps 1 to 3 for the right hand assembly.
5. The Left and right hand assemblies can now be connected by laying the left hand assembly (the taller assembly) over the right hand assembly, such that it rests on the two brackets 'B' and 'C' of the right hand front panel (Fig. 3).
6. These assemblies can be adjusted to give the desired overall length as detailed above.
7. Secure the sections together at point 'D' using a locking tab and a threaded locking tab, which are screwed together using a single screw (Fig. 4).
8. Complete the assembly by locking the two top panels together at point 'E' using a locking tab and a threaded locking tab, which are screwed together using the remaining screw.

FITTING

Suitability of mounting surface - This product may be fitted to any structurally sound surface. The screw-eyes supplied are suitable for screwing directly into timber substrate. Fixing to other surfaces will require surface preparation to be carried out. Fixing to plastered walls, plasterboard, brick or concrete will require the use of separately acquired wall plugs for use with the screw-eyes. The wall plugs should be of the type recommended for the mounting surface and sized to suit No.8 wood screws.

1. With the Fireguard placed in its intended position, mark the mounting surface directly behind and at the same height as the safety hooks.
2. Prepare the surface as appropriate and insert wall plugs if required.
3. Fit the screw-eyes firmly into the mounting surface.
4. Attach the safety hooks on both sides of the Fireguard to the screw-eyes (Fig.5).

SAFETY ADVICE

1. **WARNING: No object should be placed on the fireguard.**
2. **WARNING: Do not dry washing or air dry clothes on fireguard.**
3. A fireguard is designed to protect people from falling into a fire, prevent burns and reduce the risk of injury, particularly to young people and the infirm. It is not intended to reduce the risk of fires caused by flying particles.
4. A fireguard can become hot to touch during prolonged use. Children should not be left unattended.
5. Inspect your fireguard regularly and do not use if any part is broken or missing.
6. Only use genuine replacement parts which are available from Clippasafe.
7. When not in use, this fireguard should be stored away from children.

MAINTAINING YOUR FIREGUARD

To clean, wipe over with a damp cloth. do not use harsh abrasives. If your fireguard becomes chipped, touch up with non-toxic black enamel paint. Only use genuine replacement parts which are available from the manufacturer.

EXTENSIONS

An additional extension panel is available separately for this model of fireguard. The extension comes in the form of an 'Extension Kit' which will extend your fireguard to the maximum length of 213cm. To order your extension kit please contact your local stockist.

Model No. 101 - Complies with BS 8423:2010

Clippasafe Ltd.,
 Lanthwaite Road, Clifton,
 Nottingham, NG11 8LD, England.
 Fax: 01159 845554
 E-mail: Sales@clippasafe.co.uk

Website: www.clippasafe.co.uk

© Clippasafe Ltd 2011 - 101/Oct2011



EXTENDABLE FIREGUARD INSTRUCTIONS

Dear Customer,

Thank you for buying this Clippasafe Extendable Fireguard.

Due to an error in our factory, the wrong instruction leaflet was packed with the fireguard.

Please use this instruction leaflet (Ref: 101/Oct2011) and destroy the leaflet packed with the fireguard.

If you have any questions, please contact our Customer Service Team on 0115 9211899 or e-mail: careline@clippasafe.co.uk

Apologies for any inconvenience.

Yours sincerely,

Clippasafe Customer Services