

# Bantam Space Saver Cot

Instructions

Version: R5-0-1



**IMPORTANT**  
KEEP FOR FUTURE REFERENCE



Thank you for choosing Obaby. This cot conforms to BS EN 716-1:2017. To ensure that your cot bed is used in accordance with these instructions, please read them fully.

Your child's safety may be affected if you do not follow these instructions.

**WARNING:** A child's safety is your responsibility.

**WARNING:** Assembly should be carried out by a competent adult only.

**WARNING:** Do not use more than one mattress in the cot.

**WARNING:** Be aware of the risk of open fire and other sources of heat, such as electric bar fires, gas fires, etc. in the near vicinity of the cot.

**WARNING:** Do not use this cot if any part is broken, torn or missing. Use only spare parts approved by the manufacturer.

**WARNING:** Do not leave anything in the cot or place the cot close to another product, which could provide a foothold or present a danger of suffocation or strangulation, e.g. strings, blind/curtain cords etc.

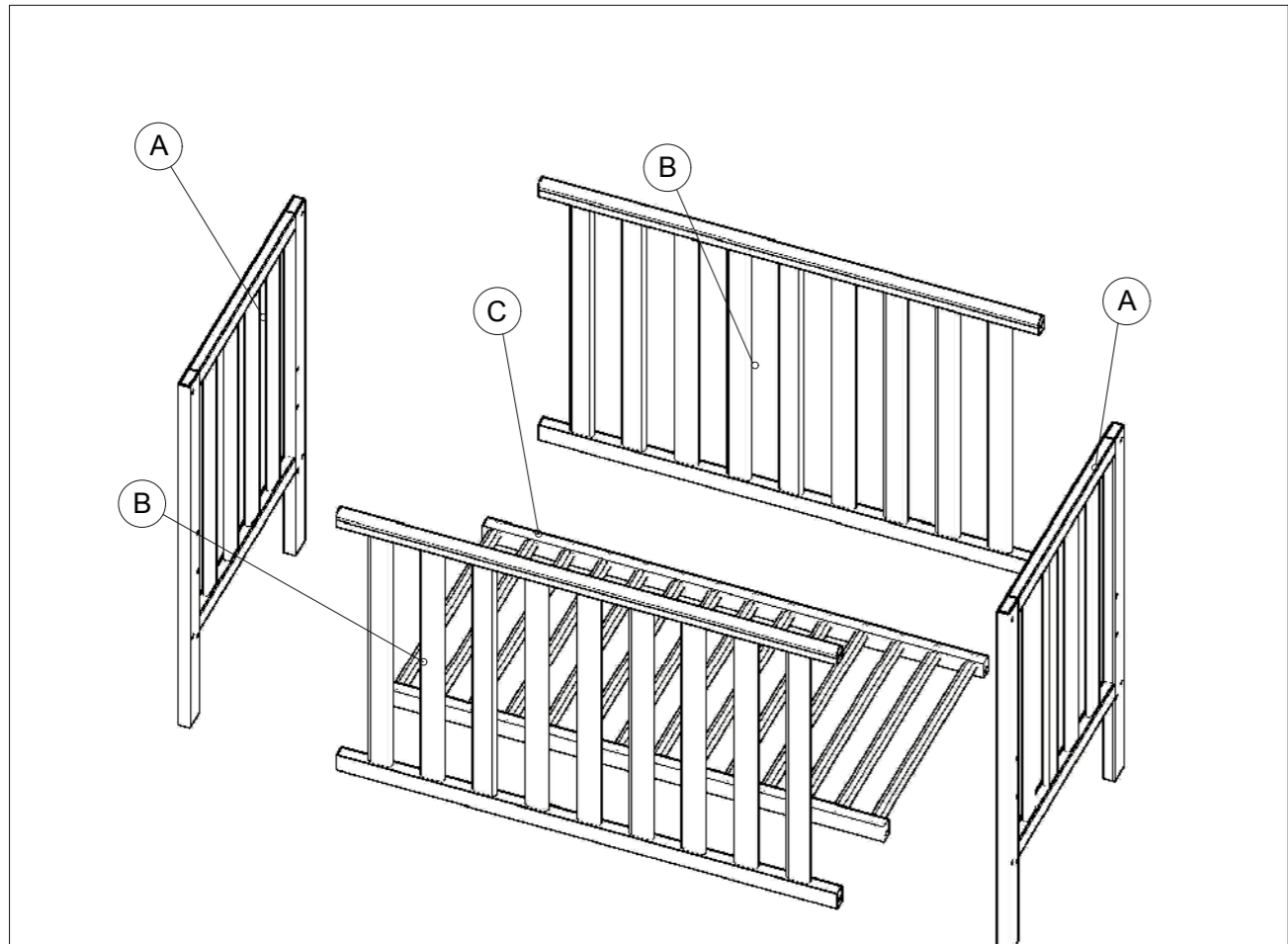
- Please be aware that the lowest base position is the safest and the base should always be used in that position as soon as the baby is old enough to sit unaided.
- The thickness of the mattress chosen should be such that the internal height (surface of the mattress to the upper edge of the cot frame) is at least 500mm when the base is set in the lowest position and a minimum of 200mm when the cot base is set in the highest position.
- We recommend you use the Obaby Mattress Size 100 x 50 cm for this cot. The mattress should be no more than 30mm shorter or narrower than the internal length or width of the cot.
- Regularly check that all fittings and components of the cot are fully tightened and in working order.

- To prevent injury from falls, as soon as the child is able to climb out of the cot then it should no longer be used.
- All assembly fittings should be tightened properly and care should be taken to ensure that no screws are loose, as a child could trap parts of the body, or clothing (e.g. ribbons, drawstrings, necklaces) this could lead to strangulation.
- During assembly children should be kept away from the product due to possible risk of injury.
- Wood is a natural material, the colour will darken with age.

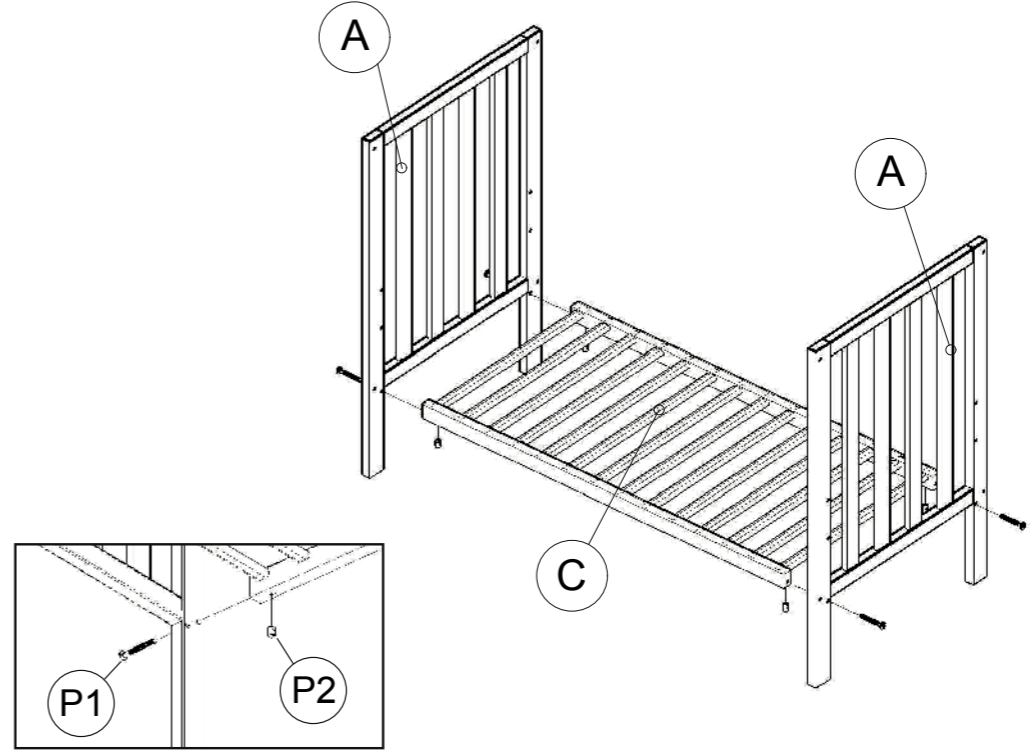
#### ROUTINE CARE & MAINTENANCE

- For cleaning, use only a mild detergent and warm water.
- DO NOT USE BLEACH.
- DO NOT USE any abrasive substances.
- From time to time, check your cot for loose screws, and worn parts. Replace or adjust the parts as needed.

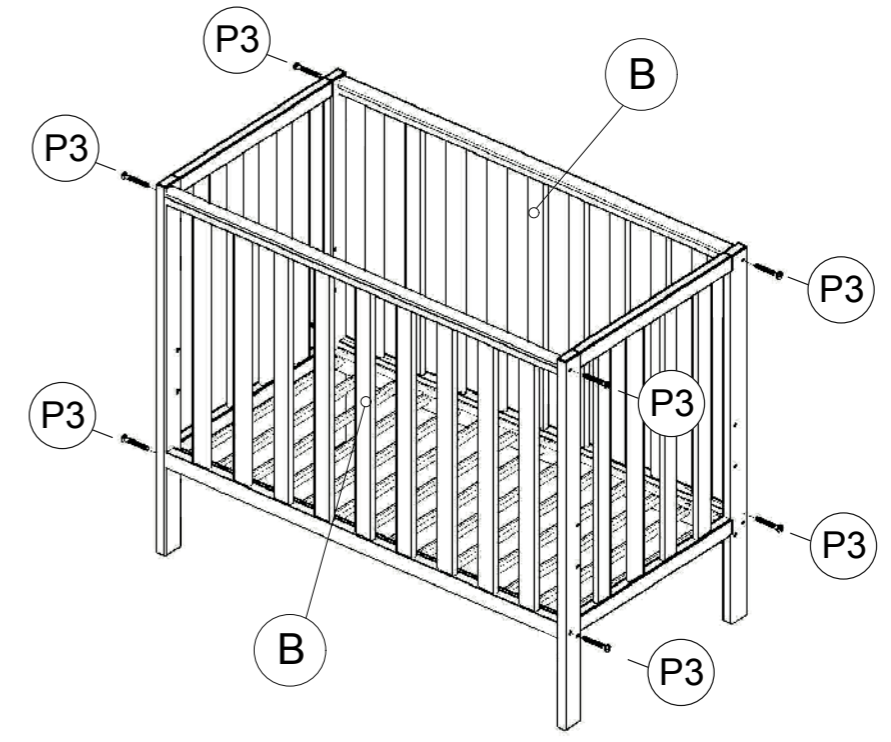
Due to constant updating and improvements, some components may occasionally differ slightly from the images shown in these instructions. We reserve the rights to change the specifications of any products without prior notice. If you need any assistance please contact your Obaby retailer from whom you purchased your product, who will take appropriate action.

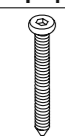





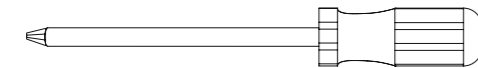
Stage 1



Stage 2



- |  |  |  |  |
|--|--|--|--|
| <b>P1</b><br><br>x4<br>55mm | <b>P2</b><br><br>x4 | <b>P3</b><br><br>x8<br>35mm | <b>P4</b><br><br>x1 |
|--|--|--|--|



additional tools required (not included)



obaby.co.uk



OfficialObaby



Obaby\_UK



obabyuk



obabyuk



officialobaby

