

CONFORMS TO
BS EN 716-1:2017
BS 8509:2008+A1:2011

The logo consists of a purple square with the word "Snüz" written vertically in white, sans-serif font.

SnüzKot™

collection

A guide to fitting
your toddler rails

to be used in conjunction with SnuzKot

**For any help, assistance or guidance
please call the Snüz team**

Tel: 0800 028 1433
+44 (0)1789 734 021

Email: parts@snuz.co.uk
General Customer Service: hello@snuz.co.uk

SnuzKot Toddler Rails Conversion

PSK010



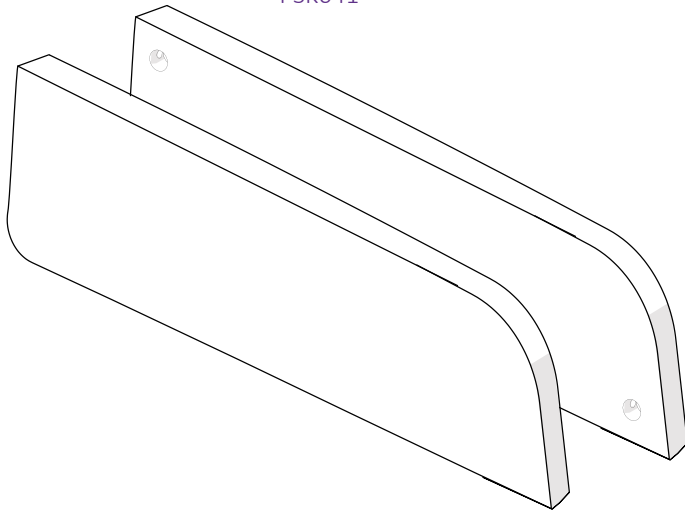
x16

PSK011

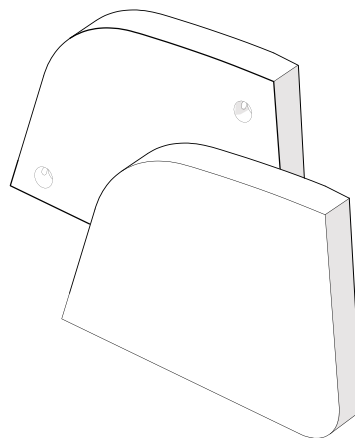


x16

PSK041



PSK040



Please refer to main SnuzKot instruction manual for safety and care guidelines

