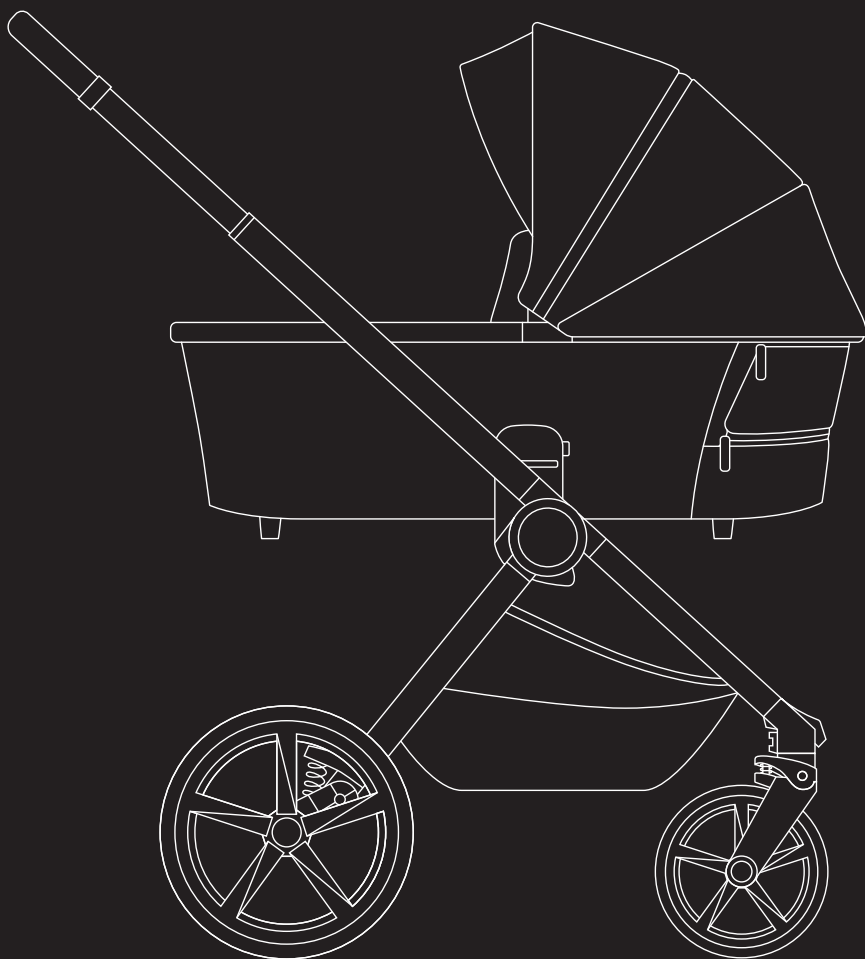


EN IT ES PL DE SK RU CZ RO HU LT FR LV PT FI GR EST TR NO SE

VENICCI

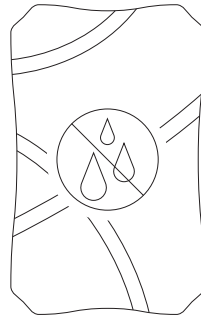
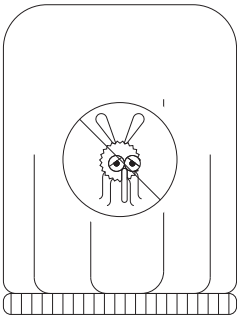
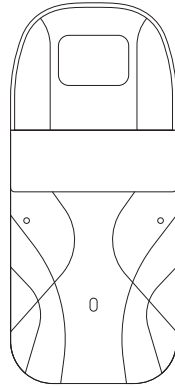
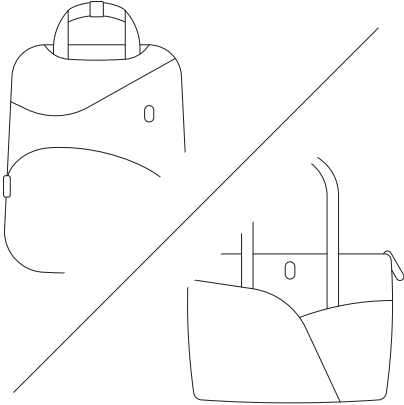
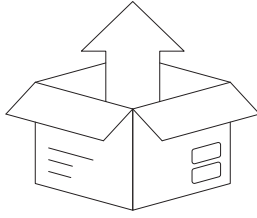
UPline 2

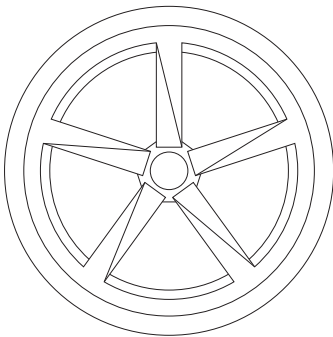
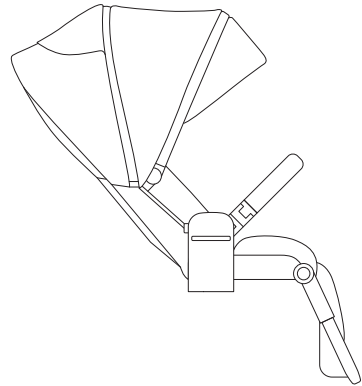
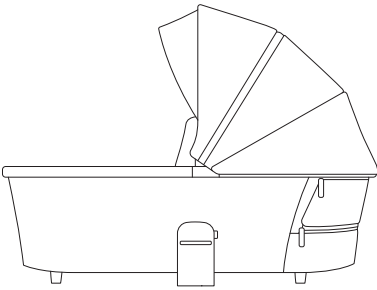
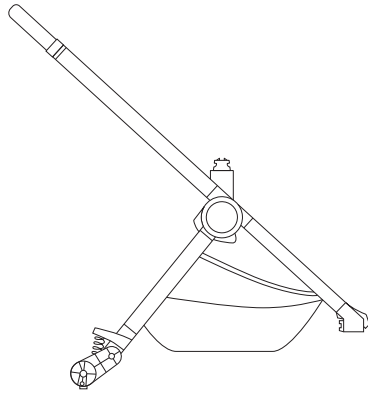


user manual & warranty

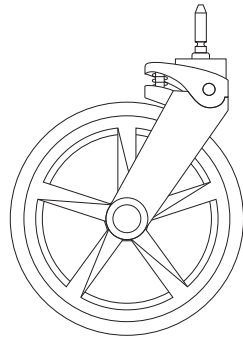
VENICCI®
— SIMPLY STYLISH —

EN	Maintenance manual. 20	LT	Priežiūros vadovas. 68
IT	Manuale di manutenzione. 24	FR	Manuel de maintenance. 72
ES	Manual de usuario. 29	LV	Apkopes rokasgrāmata. 76
PL	Instrukcja obsługi. 34	PT	Manual de manutenção. 81
DE	Bedienungsanleitung. 39	FI	Huolto-opas. 85
SK	Používateľská príručka. 42	GR	εγχειρίδιο συντήρησης 89
RU	Инструкция обслуживанияобслуживания 50	EST	Hooldusjuhend. 93
CZ	Užívateľský manuál. 55	NO	Vedlikeholdsmanual. 97
RO	Manual de utilizare. 58	TR	Bakım kılavuzu. 102
HU	Használati utasítás. 63	SE	Underhållsmanual. 106



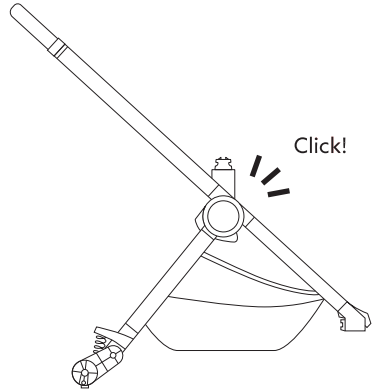
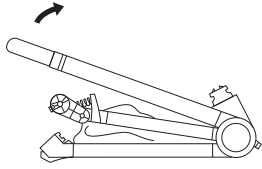


x2

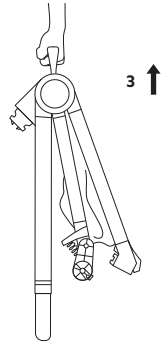
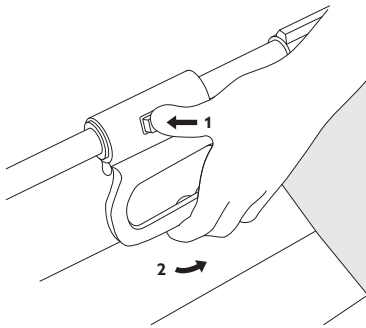


x2

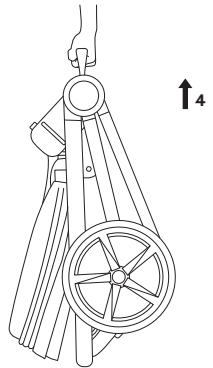
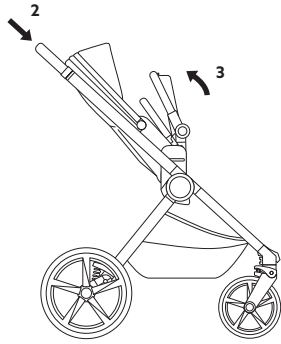
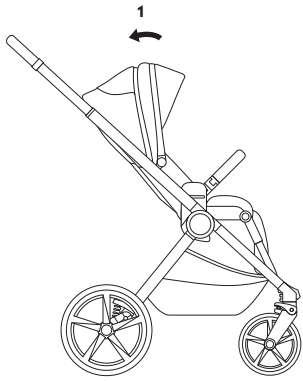
1.



2.

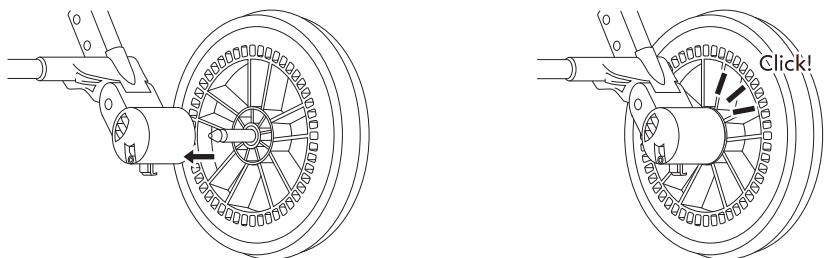


3.

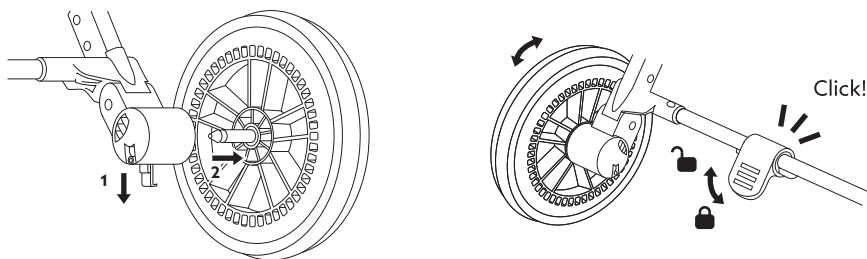


6

4.



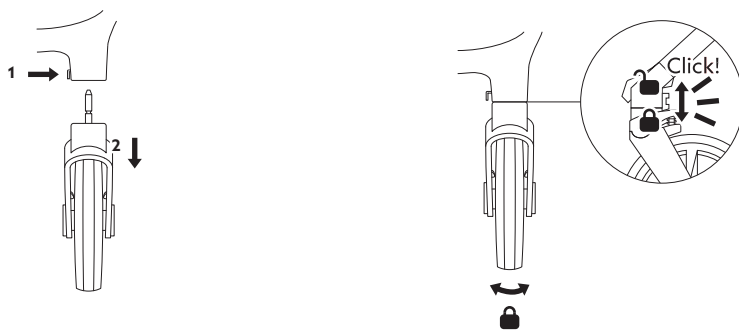
5.



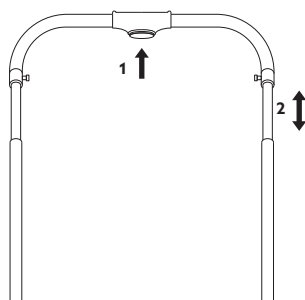
6.



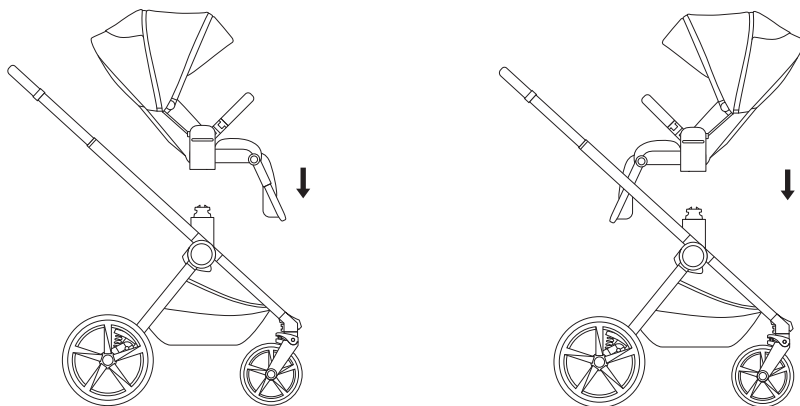
7.



8.

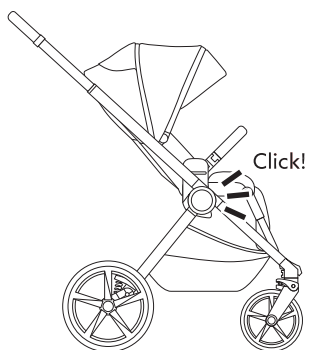


9.

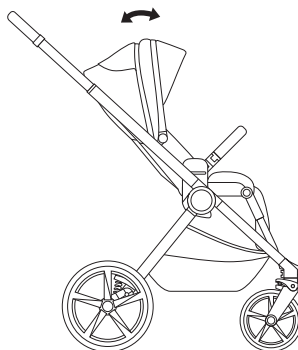


8

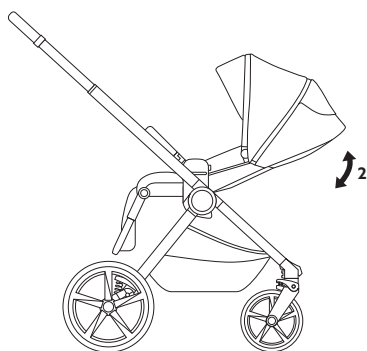
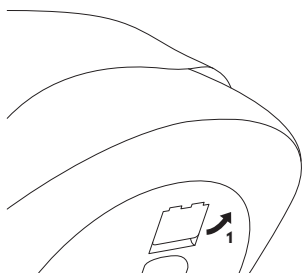
10.



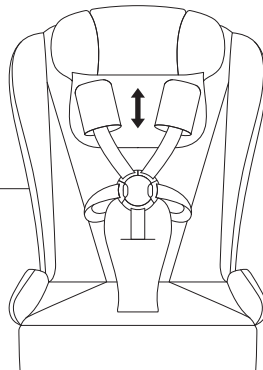
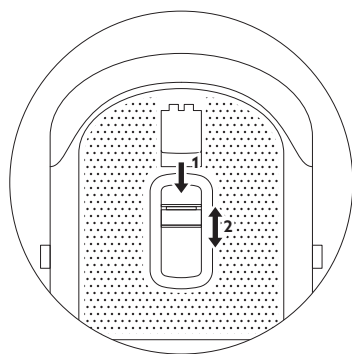
11.



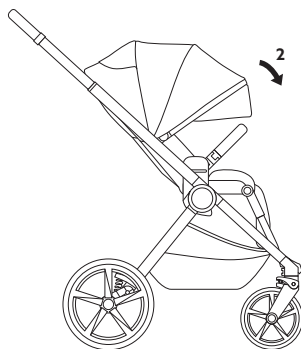
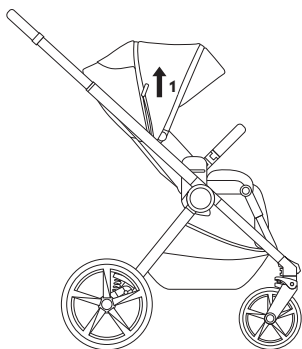
12.



13.

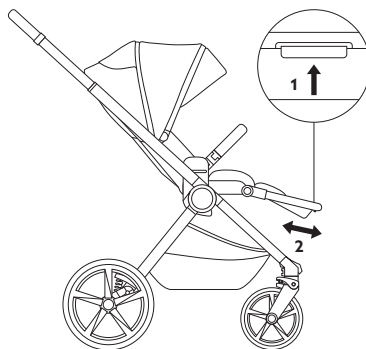
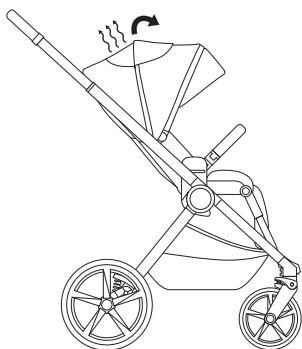


14.

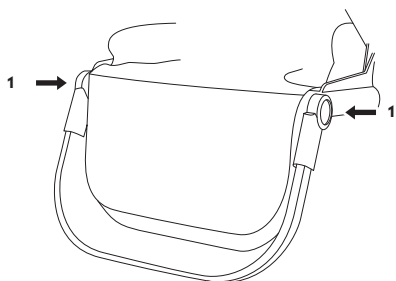


15.

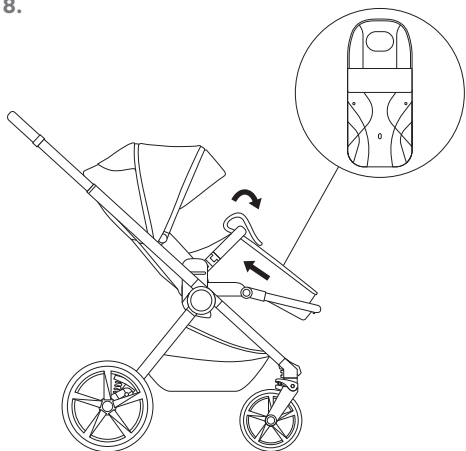
16.



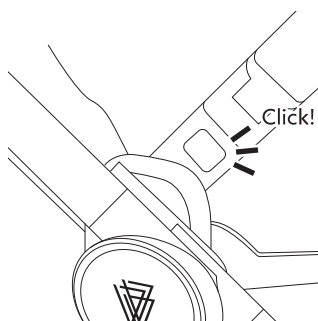
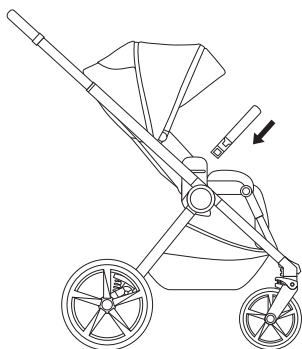
17.



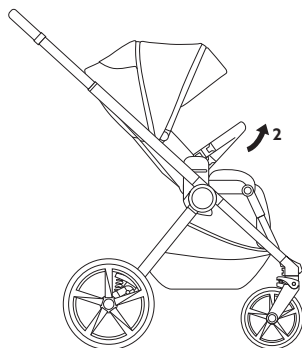
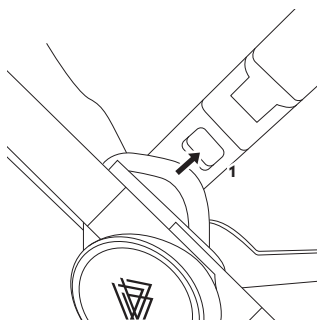
18.



19.

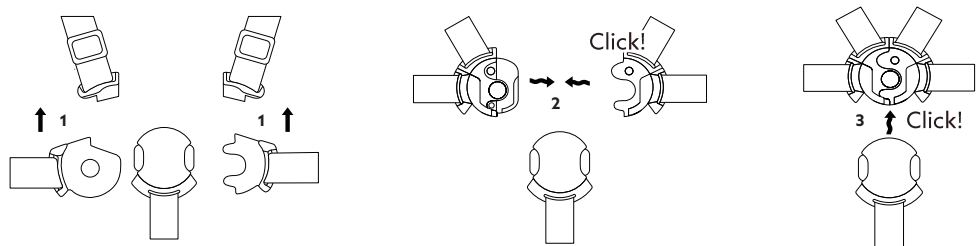


20.

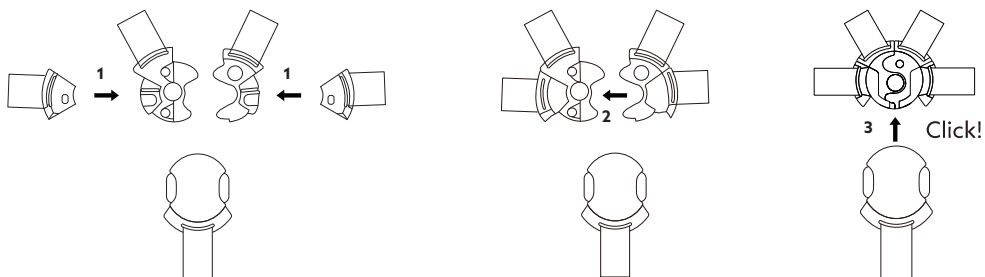


21.

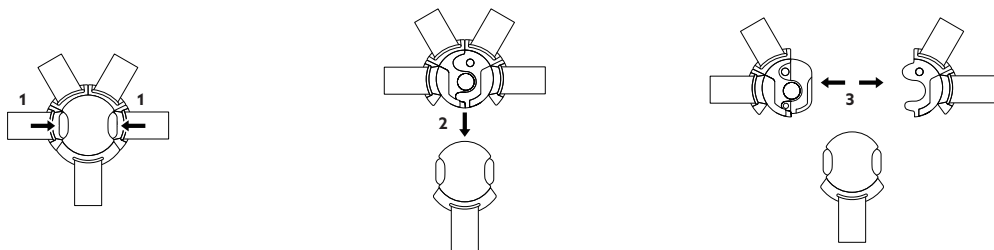
Version A / Versione A / Versión A / Wersja A / Verzia A / Версия A / Verze A / Versiunea A / A verzió / A versija / Versija A / Versão A / Versio A / Έκδοση A / Versioon A / Sürüm A / Versjon A



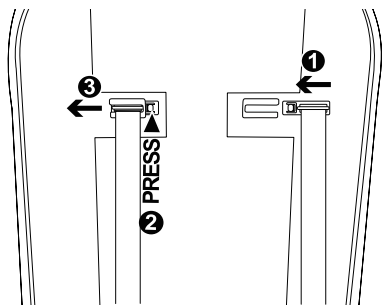
Version B / Versione B / Versión B / Wersja B / Verzia B / Версия B / Verze B / Versiunea B / B verzió / B versija / Versija B / Versão B / Versio B / Έκδοση B / Versioon B / Sürüm B / Versjon B



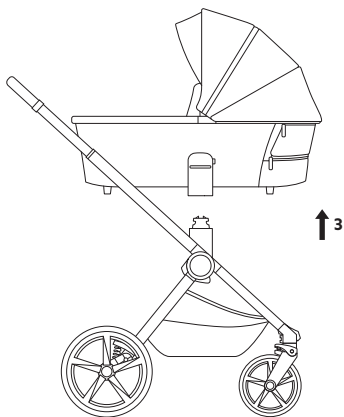
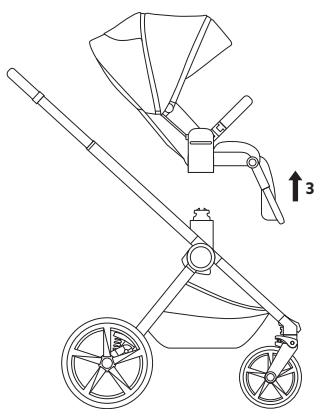
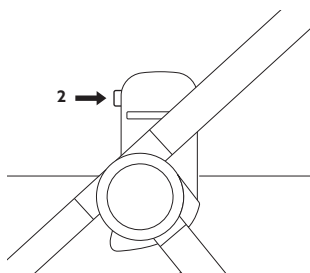
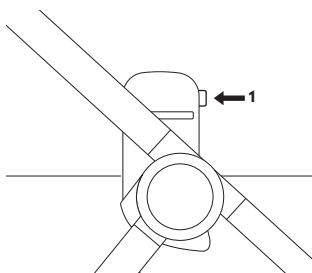
22.

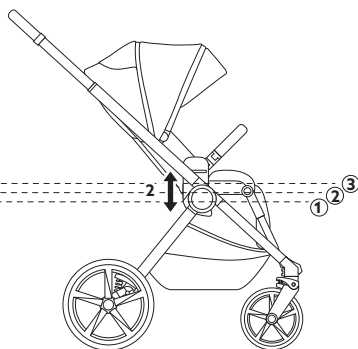
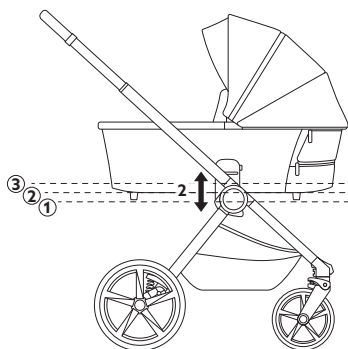
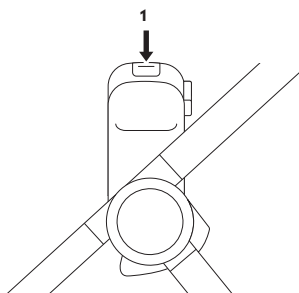
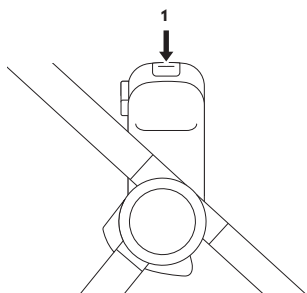


23.

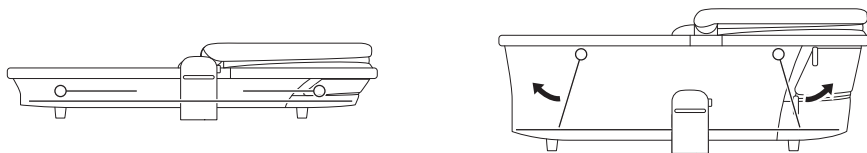


24.

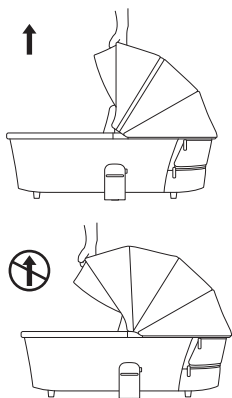
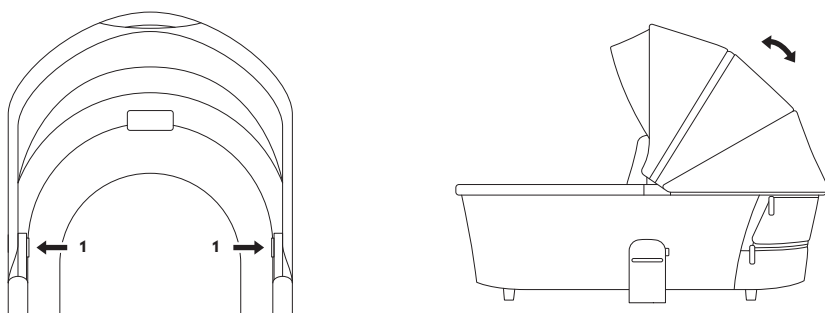




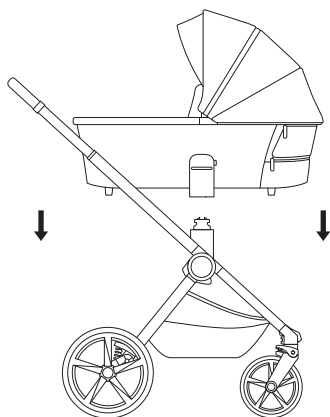
26.



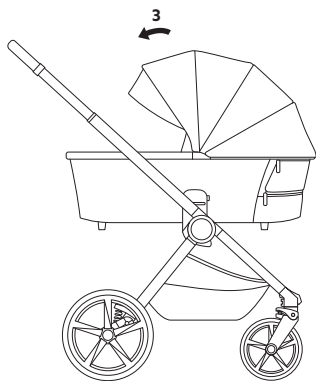
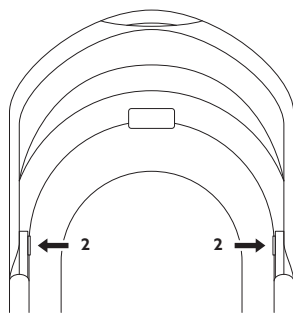
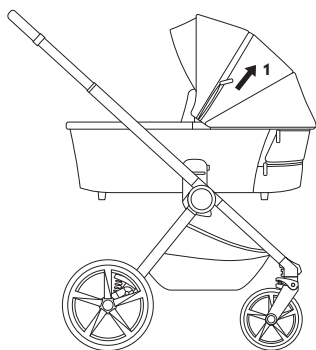
27.



28.



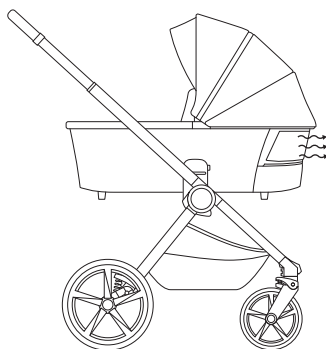
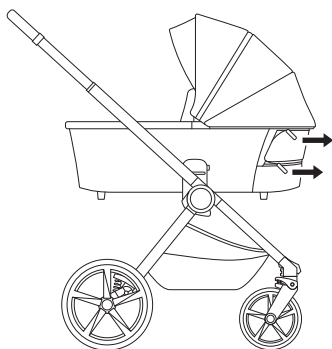
29.



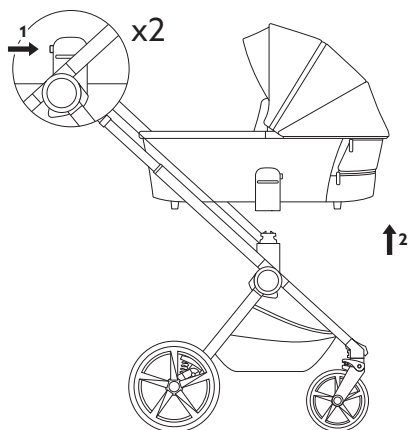
30.



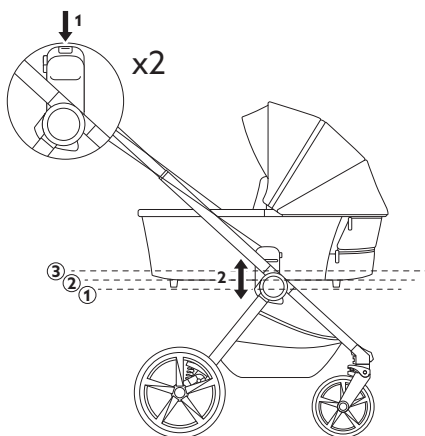
31.



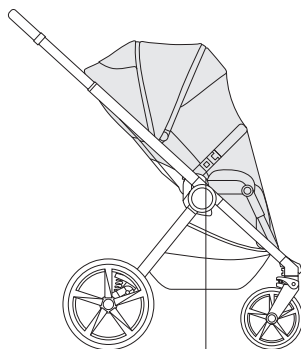
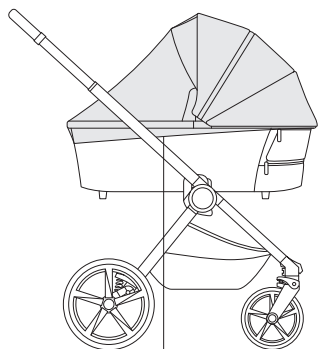
32.



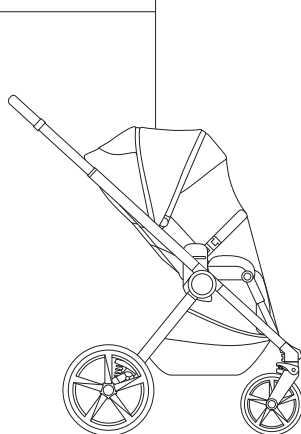
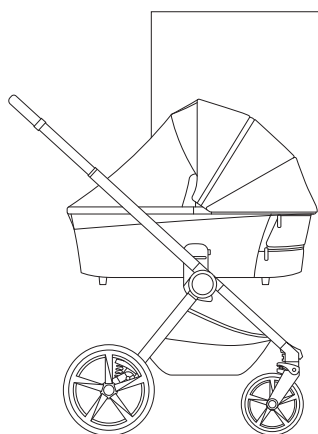
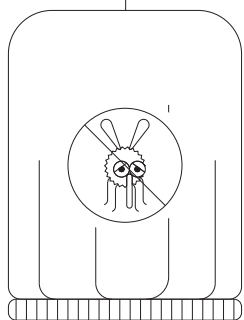
33.



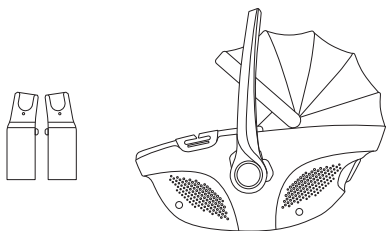
34.



35.

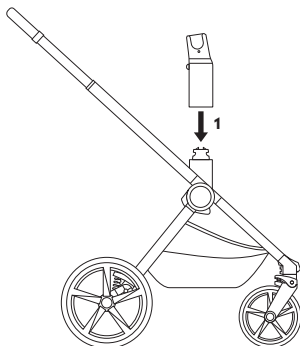


36.

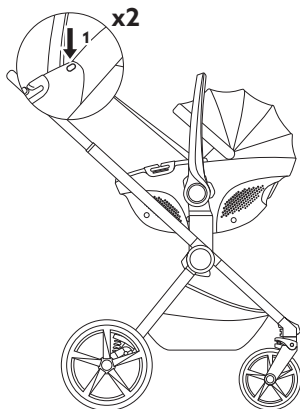
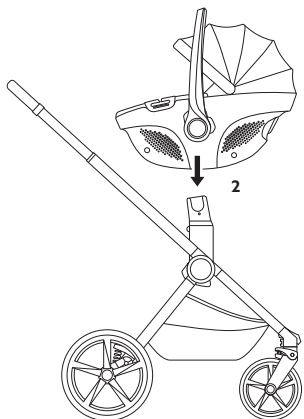


sold separately · venduto separatamente · se vende por separado · sprzedawane oddzielnie · separat erhältlich · predáva sa samostatne · продано отдельно · prodáno samostatně · vandut separat · külön eladó · Parduodama atskirai · vendu séparément · pārdod atsevišķi · vendido separadamente · myydään erikseen · πωλείται χωριστά · müüakse eraldi · ayrı ayrı satıldı · solgt separat · säljs separat

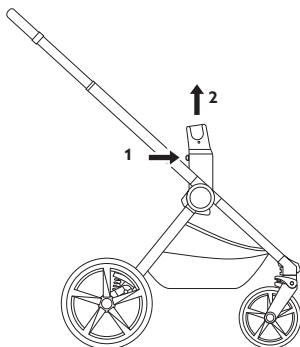
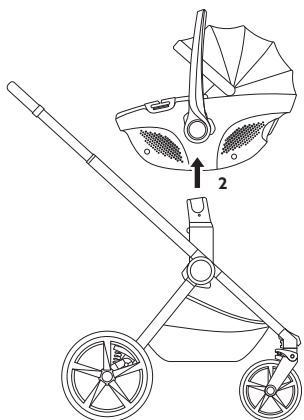
37.



38.



39.

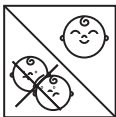


EN

IMPORTANT - READ CAREFULLY AND KEEP FOR FUTURE REFERENCE.

WARNING!

- » Never leave the child unattended.
- » Ensure that all the locking devices are engaged before use.
- » To avoid injury ensure that the child is kept away when unfolding and folding this product.
- » Do not let the child play with this product.
- » This product is not suitable for running or skating.
- » Always engage the brake when placing the child in and taking the child out of the pram.
- » Any load attached to the handle/ back of the seat unit or both sides of the pram affects the stability of the vehicle.
- » Pram is only suitable for specified number of children and can only be used for stated age groups.
- » Before putting your child in the carry cot/pushchair seat unit/car seat make sure to check for any small objects that could cause a choking hazard.
- » Do not add additional mattress.
- » This product is only suitable for a child who cannot sit up unaided.
- » Maximum weight and age of the child for which the vehicle is suitable: 22 kg or 4 years whichever comes first.
- » The pram body shall not be used, as soon as the child is able to sit by himself, roll over and can push itself up on its hands and knees. Maximum weight of the child: 9 kg.
- » Check that the pram body or seat unit or car seat attachment devices are correctly engaged before use.
- » You may assemble the carrycot, seat unit or the car seat on the stroller's frame. Venicci Upline 2 chassis is fully compatible with: Venicci Upline 2 seat unit and Venicci Upline 2 carrycot.
- » Always use the restraint system.
- » Two-point locking system for carrycot, seat unit and car seat. The locking mechanism is triggered automatically when placed in the slots of the carrycot, seat unit, or car seat adapters
- » Buttons to deactivate the locking system. To detach carrycot, seat unit, car seat, before lifting it up, press the buttons, on the left and right side of the chassis. Before you reuse the product, ensure that the locking system is working correctly by lifting the detachable part.
- » Only use on a firm, horizontal, level and dry surface.
- » Do not let other children play unattended near the carrycot.
- » Do not use if any part of the carrycot is broken, torn or missing.
- » Never use this product on a stand.



EN IMPORTANT!

- » Before use, read the following manual carefully and keep it. The safety of the child may be compromised if the recommendations included in this manual are not followed. The manufacturer of the pram is not responsible for effects from not following notes, warnings and recommendations included in the product documentation.
- » After purchasing, ensure you correctly maintain all the components specified by the manufacturer in this manual guide. This pram requires regular maintenance by the user. It is the user's responsibility to undertake routine inspection and maintenance of the pram in order to avoid damage of the product and/or injury to your child.
- » Backrest adjustment in the stroller mode. The stroller seat is equipped with an adjustable backrest. To lower the backrest to half-sitting or to the lying position, pull the handle in the back part of the backrest upwards, select the required position and release the handle. The backrest is equipped with a spring loaded auto-lock mechanism that does not require the handle to be lifted when lifting the backrest from lying to sitting position. Every time you change the position of the backrest check whether the fastening system is working correctly and adjust the harness settings accordingly to fit your baby's new position.
- » Do not allow the child to stand on the seat as it may damage the stability of the stroller and cause the stroller to fall down. In order to increase the stability of the product while in use, make sure that the baby is positioned in the central part of the carrycot or the seat unit.
- » Do not carry the pram holding the hood, upper edge of the backrest, footrest or the element creating the pram version. Do not use the pram on steps or leave the pram with the child on uneven surfaces (even with the brake on) as it may go down. Carrying the pram up or down the steps, placing the pram on the bus, etc. should be carried out with the aid of another person. The person holding the pram handle tube passes the obstacle first while holding the pram handle tube, and the person holding the other end of the pram should grasp the pram by a stable element such as a fixed upright of the frame. When carrying the pram downstairs the person who is helping comes down first.
- » Pram handle height adjustment. To change the height of the pram handle, press and hold button, select the required height and release both buttons. After adjusting the height of the handle, hold it in the upper part and move it twice up and down to make sure the locks function correctly.
- » In the case of prams equipped with transferable handle tubes, ensure that the child's hands are not outside the internal outline of the seat when changing the handle tube position. After each change of the handle tube position, check the effectiveness of the self-fastening locking mechanism by pulling the handle tube up and down several times.
- » When changing the position of the backrest or the bassinet, pay attention to child's hands and head. Footrest adjustment. The pram is equipped with adjustable footrest. To lower the footrest press the adjustment buttons on both sides of the footrest, adjust the footrest position and release the buttons. The footrest is equipped with an auto-lock system that does not require the buttons to be released when lifting the footrest.
- » Do not allow the child to stand or sit on the footrest. The impact of a larger load on the footrest may cause damage to the locking mechanisms. When the child

independently gets in and out of the stroller, position the footrest to its lower position.

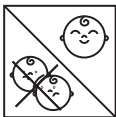
- » Keep the pram elements clean. Dirt on the frame should be removed with a damp sponge and then wiped with a dry cotton cloth. Do not use caustic, sharp, or hard agents for cleaning as these may be harmful to the pram elements (discolouration, scratches, etc.). It is recommended to use cleaning agents appropriate for a particular surface. In the case of any dirt on the pram cover, remove it with the use of a damp sponge, adding a delicate cleaning agent. Avoid over wetting the stroller seat, bottom of the carrycot, and bottom of additional sleeping bag (pram of changeable function) as this may cause deformation of ring elements.
- » To avoid marks or smudges which may occur after rainfall, for instance, secure the pram against over soaking by the use of raincover for the whole pram. It is recommended to protect the pram against the effects of strong sunlight. The manufacturer cannot accept responsibility for deterioration to the pram cover, which result from failure to follow these recommendations.
- » Before mounting and dismounting the wheels, lift the locking mechanism of the brake upwards. We recommend that the pram axles should be kept clean. Where prams are equipped with wheels without bearings, pram axles should be kept lubricated with a thick agent (cup grease, machine oil) to reduce friction on tube ends. In models equipped with wheels with bearings, it is recommended to lubricate the axles with a lubricating agent e.g. WD40. **WARNING:** Accessories or spare parts that the manufacturer or distributor has not approved must not be used.
- » For chassis equipped with mounting holes for the car seat - all connectors that the manufacturer or distributor has not approved must not be used. The manufacturer is not liable for the consequences of installing other car seats onto the chassis that do not have their approval. List of car seats with suitable approvals are posted on the manufacturer's website.
- » Adaptors for the car seat that the manufacturer or distributor has not approved must not be used. **WARNING:** Check that the car seat attachment devices are correctly engaged before use.
- » While folding and unfolding the chassis, and during assembling stage, keep your hands at a safe distance from moving parts to avoid injuries.
- » Do not use the combination of the car seat and chassis as a place for the child to sleep for long periods of time. If your child wants to sleep, always use the carrycot or own crib or cot. The pram is used as a means of transport, do not rock the product. Moving the pram forward and backward on short distances the front wheels should be locked on to the fixed position. Technological looseness of the spinning mechanism, may cause a change in direction which does not prove product defectiveness.
- » The manufacturer recommends fitting the car seat in the opposite direction to the direction of traveling (parent facing), it makes easier to observe the child in the car seat.
- » For pram designed from birth upwards it is recommended that the child lays in a flat position at all times.
- » For carrycots equipped with a harness, always make sure that if the harness is not in use, that it is removed from the carrycot. Carrycots fitted with top central carrying handle; before lifting ensure that the handle is positioned perpendicularly to the carrycot, and the lock in its base are turned on and working properly.
- » The load of the basket fastened to the pram frame should not exceed 3 kg, Accessible

load of the bag hung on the pram handle is 1 kg. Pockets of the pram are for decorative purposes only, no objects of total weight exceeding 0.15 kg should be placed within each pocket or weight of 0.35 kg for all pockets.

- » For any warranty and post-warranty repairs only use the parts supplied or recommended by the relevant manufacturer or distributor. The pram should not be used if any sort of defect has been noticed or any of the elements have been damaged.
- » The hood of the seat unit has been designed using flexible strips of steel, which under the influence of pressure can be deformed. This may result in decreased spacing between the internal metal bars and other parts of the system and lead to damage such as causing fabric to tear. In the case of deformation you must make a correction by gently squeezing, stretching the internal metal bars.
- » In the case of travel systems fitted with reversible seat unit, it is not allowed to change its position while baby is in it.
- » After unfolding the chassis, check whether the front and rear wheels are fitted properly by trying to detach them from the chassis without pressing the button that unlocks the locking mechanism.
- » 'D' rings are provided for the attachment of an additional harness. These are located on the existing harness close to where it is attached to the seat frame. 'D' rings are provided for fitting a separate harness if required. Replacement Harness can be purchased directly from distributor.
- » Operating the parking brake. Press down on the pedal to engage the parking brake. Press down and release to disengage the parking brake. **WARNING:** Never leave the vehicle without first fully engaging the parking brake.
- » Do not place the carrycot near an open fire or other source of strong heat. The handles and the bottom of the carrycot should be inspected regularly for signs of damage and wear. If the carrycot is intended to be used with a stand, then it shall be checked that the stand is the appropriate size to accommodate the base of the carrycot. The head of the child in the carrycot should never be lower than the body of the child.
- » Before carrying or lifting, make sure that the handle(s) is (are) in the correct position of use. Before carrying or lifting the base shall be adjusted in the lowest position.
- » Be aware of hazard of hitting baby e.g. when putting on floor, going through doors
- » Be aware of any hazards that could hit baby e.g. when putting on floor, going through doors, etc.
- » Do not leave anything in the carrycot that could present a danger of suffocation e.g. non-rigid toys, pillows, etc.
- » Do not place the carrycot close to another product, which could present a danger of strangulation, e.g. strings, blind/curtain cords, etc.
- » Please remember that overheating can endanger the life of your child! Take into account the ambient temperature and the child's clothing and ensure that the child is not too cold or too warm;
- » Please remember to ask a health professional for advice on safe sleeping.
- » Never raise or lower the carrycot or seat unit with baby inside.

ATTENZIONE!

- » Non lasciare mai il bambino incustodito.
- » Prima dell' uso assicurarsi che tutti i meccanismi di bloccaggio siano correttamente agganciati.
- » Per evitare lesioni o ferimenti assicurarsi che il bambino sia a debita distanza durante le operazioni di apertura e chiusura del prodotto .
- » Nessun bambino deve essere posizionato nel veicolo quando si apre o chiude il passeggino.
- » Questo prodotto non è adatto per correre o pattinare.
- » Inserire sempre il freno quando si posiziona o si tira fuori il bambino dal passeggino.
- » Qualunque carico attaccato al manubrio/ retro del seggiolino o a entrambi i lati del passeggino può influire sulla stabilità del veicolo.
- » Il passeggino è idoneo solo per uno specifico numero di bambini e può essere utilizzato per una determinata fascia di età.
- » Sistema di bloccaggio a due punti per culla, seggiolino e sedile auto. Il meccanismo di bloccaggio viene attivato automaticamente quando posizionato nello spazio della culla portatile, seggiolino o sedile auto.
- » Questo prodotto è adatto solo per un bambino che non può stare seduto da solo.
- » Peso massimo ed età del bambino a cui è destinata la carrozzina: 22 kg o 4 anni, a seconda dell'evento che si verifichi per primo
- » Non lasciare che il bambino giochi con questo prodotto.
- » Prima di posizionare il tuo bambino nel seggiolino/ sedile auto culla portatile/ passeggino, assicurati di controllare che non vi siano oggetti piccoli che possano causare soffocamento.
- » Usare il sistema di ritenuta non appena il bambino è in grado di rimanere seduto da solo.
- » Non aggiungere il materassino aggiuntivo.
- » Il corpo della carrozzina non deve essere utilizzato non appena il bambino è in grado di sedersi da solo, rotolare e può spingersi sulle mani e sulle ginocchia. e di un peso massimo di 9 kg.
- » Utilizzare sempre il sistema di ritenuta.
- » Prima dell' uso controllare che i meccanismi di aggancio della seduta, della navicella o del seggiolino auto siano correttamente agganciati.
- » È possibile assemblare la culla per il trasporto, l'unità del sedile o il seggiolino auto sul telaio del passeggino. Il telaio Venicci Upline 2 è pienamente compatibile con: Venicci Upline 2 Seat Unit and Venicci Upline 2 Carrycot.
- » Utilizzare solo su una superficie stabile, orizzontale, piana e asciutta.
- » Non lasciare che altri bambini giochino incustoditi vicino alla navicella.
- » Non utilizzare se una qualsiasi parte della navicella è rotta, strappata o mancante.
- » Non utilizzare mai questo prodotto su un supporto.



- » Pulsante per disattivare il sistema di bloccaggio. Per scollegare la culla, seggiolino o sedile auto, prima di sollevarlo, premere il pulsante ai lati destro e sinistro dello chassis. Prima di riutilizzare il prodotto, assicurati che il sistema di bloccaggio funzioni correttamente sollevando la parte smontabile.
- » Prima dell'utilizzo, leggere attentamente e conservare il seguente manuale. La sicurezza del bambino potrebbe essere compromessa se le raccomandazioni incluse in questo manuale non risultano seguite. Il produttore del passeggino non è responsabile degli effetti scaturiti dal non rispetto delle note, avvertimenti e raccomandazioni contenute nella documentazione del prodotto.
- » Non permettere al bambino di stare in piedi o sedersi sul poggiatesta. L'impatto di un carico più elevato sul poggiatesta potrebbe danneggiare i meccanismi di bloccaggio. Quando il bambino sale e scende autonomamente dal passeggino, posizionare il poggiatesta nella posizione più bassa.
- » Regolazione dello schienale nella versione passeggino. Il sedile del passeggino è dotato di schienale regolabile. Per abbassare lo schienale in posizione mezzoseduto o steso, tirare il manubrio sul retro dello schienale verso l'alto, selezionare la posizione desiderata e rilasciare il manubrio. Lo schienale è dotato di meccanismo di auto bloccaggio caricato a molla che non richiede di sollevare il manubrio quando si rialza lo schienale da posizione steso a mezzoseduto. Ogni volta che si cambia la posizione dello schienale, verificare che il meccanismo di allacciamento sia correttamente funzionante e regolare e impostazioni dell'imbracatura in maniera adatta alla nuova posizione del bambino.
- » Non permettere al bambino di stare in piedi sul sedile, dal momento che ciò potrebbe danneggiare la stabilità del passeggino e causarne la caduta. Per incrementare la stabilità del prodotto durante l'utilizzo, assicurarsi che il bambino sia posizionato nella parte centrale della culla portatile o del seggiolino.
- » Quando il passeggino non è in uso, i freni devono essere sempre inseriti. L'utilizzo dei freni richiede l'abbassamento della livella del freno e la verifica del relativo funzionamento. Prima di muovere il passeggino, assicurarsi che le ruote non siano bloccate. Muovere il passeggino con le ruote bloccate potrebbe danneggiare gli elementi di bloccaggio.
- » Dopo l'acquisto, mantenere tutte le componenti specificate dal produttore nel manuale Servizi di Assistenza (ASSISTENZA) prima di utilizzare il passeggino. Questo veicolo richiede una regolare manutenzione da parte dell'utente. È responsabilità dell'utente eseguire un'ispezione ed una manutenzione di routine del veicolo, in modo da evitare danni al veicolo e/o causare infortuni al bambino.
- » Regolazione dell'altezza del manubrio. Per cambiare l'altezza del manubrio del passeggino, tenere premuti i pulsanti a entrambi i lati del manubrio, selezionare l'altezza desiderata e rilasciare i pulsanti. Dopo aver regolato l'altezza del manubrio, mantenerlo per la parte superiore e muoverlo due volte verso l'alto e verso il basso per assicurarsi che i bloccaggi funzionino correttamente.
- » Nel caso di passeggini dotati di manubri smontabili, assicurarsi che le mani del bambino non si trovino all'interno dei profili del tubo durante la regolazione del manubrio. Dopo ogni modifica alla posizione del manubrio, verificare l'efficacia del

meccanismo di bloccaggio automatico tirando più volte il tubo del manubrio verso l'alto e verso il basso.

- » Quando si cambia la posizione dello schienale o della culla, fare attenzione alle mani ed alla testa del bambino.
- » Regolazione poggiatesta. Il passeggino è dotato di poggiatesta regolabile. Per abbassare il poggiatesta, premere i pulsanti per la regolazione ai lati del poggiatesta, regolare la posizione e rilasciare i pulsanti. Il poggiatesta è dotato di sistema automatico di bloccaggio che non richiede il rilascio di pulsanti quando si solleva il poggiatesta.
- » Non trasportare il passeggino tenendolo per il cappuccio, bordo superiore dello schienale, poggiatesta o l'elemento proprio della versione passeggino. Non utilizzare il passeggino su scalino e non lasciare il passeggino con il bambino su superfici inclinate (nemmeno con i freni attivati), in quanto potrebbe andare verso il basso. Trasportare il passeggino su o giù su degli scalini, posizionarlo su autobus, ecc. dovrebbe essere svolto con l'aiuto di un'altra persona. La persona che mantiene il manubrio del passeggino deve oltrepassare l'ostacolo per prima mantenendo il manubrio, e la persona che mantiene l'altra estremità del passeggino deve afferrare il passeggino tramite un elemento stabile, come ad esempio un supporto fisso del telaio. Quando si trasporta il passeggino giù per le scale, la persona in aiuto scende per prima.
- » Quando si oltrepassano degli ostacoli su livelli differenti (ad esempio gradini d'ingresso), portare entrambe le ruote più vicine tra loro (sullo stesso asse) contemporaneamente, spingendo in basso il manubrio e superando l'ostacolo con le ruote anteriori. Quando si superano ostacoli più alti (ad esempio i cordoli di un marciapiede), posizionare le ruote anteriori del passeggino leggermente più in alto del livello della superficie dell'ostacolo sollevando il passeggino. Qualsiasi collisione con oggetti o superfici dure potrebbe danneggiare (deformare) gli elementi connettivi del telaio causando una mancanza di allineamento appropriato.
- » **ATTENZIONE:** Accessori o parti di ricambio non approvati dal produttore o dal distributore non devono essere utilizzati.
- » Il carico del cestello fissato al telaio della carrozzina non deve superare i 3 kg. Il carico accessibile della borsa appesa al manico del passeggino è di 1 kg. Le tasche del passeggino sono solo a scopo decorativo, nessun oggetto di peso totale superiore a 0,15 kg deve essere collocato all'interno di ciascuna tasca o un peso di 0,35 kg per tutte le tasche.
- » Pulsante per disattivare il sistema di bloccaggio. Per scollegare la culla, seggiolino o sedile auto, prima di sollevarlo, premere il pulsante ai lati destro e sinistro dello chassis. Prima di riutilizzare il prodotto, assicurarsi che il sistema di bloccaggio funzioni correttamente sollevando la parte smontabile.
- » Tenere gli elementi del passeggino puliti. Lo sporco sul telaio deve essere rimosso con una spugna e poi strofinato con un panno di cotone asciutto. Non usare agenti caustici, affilati o duri per la pulizia, dato che potrebbero danneggiare gli elementi del passeggino (scolorimento, graffi, ecc.). Si raccomanda di utilizzare agenti pulenti appropriati per una particolare superficie. In caso di sporco sul rivestimento del passeggino, rimuoverlo tramite l'uso di una spugna umida, aggiungendo un detergente delicato. Evitare l'eccessiva umidificazione del sedile del passeggino,

fondo della culla portatile, e fondo del sacco a pelo aggiuntivo (passeggino con funzione cambiabile), in quanto ciò potrebbe deformare gli elementi di supporto.

- » Per evitare aloni o macchie che potrebbero comparire in seguito a pioggia, per esempio, tenere il passeggino a riparo dall'eccessivo ammollo utilizzando la copertura per la pioggia del passeggino. Si raccomanda di proteggere il passeggino dagli effetti della luce del sole forte. Il produttore non può assumersi la responsabilità per il deterioramento del rivestimento del passeggino, risultate dal non rispetto di queste raccomandazioni.
- » Il produttore consiglia di adattare il sedile auto nella direzione opposta a quella del moto (fronte ai genitori), ciò rende più facile osservare il bambino nel sedile.
- » Per il passeggino ideato per neonati ed oltre, si consiglia che il bambino si trovi sempre in posizione distesa.
- » Per culle portatili dotate di tracolle, assicurarsi sempre che le maniglie da trasporto si trovino al di fuori della culla, quando in uso. Culle portatili dotate di maniglia da trasporto centrale; prima di sollevare, assicurarsi che la maniglia sia posizionata perpendicolarmente alla culla, e che i bloccaggi alla base siano attivati e correttamente funzionanti.
- » Per qualsiasi riparazione in garanzia e post-garanzia utilizzare solo le parti fornite o raccomandate dal produttore o distributore. Il passeggino non deve essere utilizzato in caso si noti qualsiasi tipo di difetto, o in caso di danni a qualsiasi elemento.
- » Il cappuccio del sedile è stato ideato usando fasce di acciaio flessibili, deformabili sotto pressione. Ciò può causare una diminuzione dello spazio tra le barre di metallo interne ed altre parti del sistema, e portare danneggiamenti al tessuto. In caso di deformazione, va apportata una correzione schiacciando e tirando delicatamente le barre di metallo interne.
- » In caso di sistemi da viaggio dotati di sedili reversibili, non è permesso cambiarne la posizione mentre il bambino è a bordo.
- » Dopo aver aperto lo chassis, verificare che le ruote anteriori e posteriori siano correttamente posizionate provando a staccarle dallo chassis senza premere il pulsante che disabilita il sistema di bloccaggio.
- » Prima di montare e smontare le ruote, sollevare il meccanismo di bloccaggio dei freni verso l'alto (freni non bloccati). Consigliamo di tenere puliti gli assi del passeggino. Laddove i passeggini siano dotati di freni senza cuscinetti, gli assi devono essere lubrificati con un agente viscoso (grasso lubrificante, olio da motore) per ridurre la frizione alle estremità del tubo. Nei modelli dotati di cuscinetti, si consiglia di lubrificare gli assi con un agente lubrificante, come ad esempio il WD40. In caso di ruote sgonfie, suggeriamo di mantenere la pressione interna ad un livello costante non superiore di 0.6 bar rispetto al valore indicato sul telaio.
- » Per gli chassis dotati di fori per il montaggio del sedile auto – tutti i connettori non approvati dal produttore o dal distributore non devono essere utilizzati. Il produttore non è imputabile per le conseguenze dell'installazione di altri sedili auto non approvati sullo chassis. La lista dei sedili idonei viene postata sul sito web del produttore.
- » Gli adattatori per il sedile non approvati dal produttore o dal distributore non devono essere utilizzati. **ATTENZIONE:** Verifica che i dispositivi di attacco del sedile auto siano correttamente inseriti prima dell'uso.
- » Non utilizzare la combinazione di sedile e chassis per lasciar dormire il bambino per

un lungo periodo di tempo. Se il bambino desidera dormire, utilizzare sempre la culla portatile o il lettino. Il passeggino è inteso come mezzo di trasporto, non scuotere il prodotto. Muovendo il passeggino avanti e indietro per brevi distanze, le ruote anteriori devono essere bloccate su una posizione fissa. L'allentarsi del meccanismo di rotatorio, può causare un cambio di direzione che non prova alcuna difettosità del prodotto.

- » Dopo aver richiuso lo chassis, verificare che il meccanismo di sicurezza (gancio di sicurezza) che garantisce che lo chassis non si apra da solo sia funzionante e fissato correttamente. Se il gancio non è fissato correttamente, deve essere regolato manualmente.
- » Quando si apre o si chiude lo chassis, e durante la fase di assemblaggio, tenere le proprie mani a distanza di sicurezza dalle parti mobili per evitare infortuni.
- » Gli anelli sono forniti per il fissaggio di un'imbracatura aggiuntiva. Questi si trovano sul cablaggio esistente vicino al punto in cui è fissato al telaio del sedile. Gli anelli sono previsti per il montaggio di un'imbracatura separate, se necessario. L'imbracatura di ricambio può essere acquistata direttamente dal distributore.
- » Funzionamento del freno di stazionamento. Premere il pedale per innestare il freno di stazionamento. Premere verso il basso e rilasciare per disinnestare il freno di stazionamento.
- » ATTENZIONE; non lasciare mai il veicolo senza prima inserire completamente il freno di stazionamento.
- » Non posizionare la navicella vicino a fiamme libere o altre fonti di forte calore. Le maniglie e il fondo della navicella devono essere ispezionate regolarmente per rilevare eventuali segni di danneggiamento e usura. Se la navicella è concepita per essere utilizzata con un supporto, è necessario verificare che il supporto sia della dimensione appropriata per accogliere la base della navicella. La testa del bambino nella navicella non deve mai essere più bassa del corpo del bambino.
- » Prestare attenzione al rischio che il bambino possa urtare, ad esempio quando si sdraia sul pavimento o quando passa attraverso le porte.
- » Non lasciare nella navicella oggetti che potrebbero provocare un rischio di soffocamento, ad esempio peluche, cuscini, ecc.
- » Non collocare la navicella vicino ad oggetti che possono causare rischio di strangolamento, come ad esempio corde, corde di tende o di tapparelle....
- » Ricordate che il surriscaldamento può mettere in pericolo la vita del bambino! Tenete conto della temperatura dell'ambiente e dell'abbigliamento del bambino e assicuratevi che non abbia né troppo freddo né troppo caldo.
- » Ricordate di chiedere consiglio al vostro medico di fiducia per un sonno sicuro.
- » Non alzare o abbassare mai la navicella o la seduta passeggino con il bambino all'interno.

ADVERTENCIA!

- » No dejar nunca al niño desatendido.
- » Asegurarse de que todos los dispositivos de cierre están engranados antes del uso.
- » Kako biste izbjegli ozljede, pobrinite se da dijete bude na sigurnoj udaljenosti kada sklapate ili rasklapate ovaj proizvod.
- » Para evitar lesiones, asegúrese de que el niño se mantiene alejado durante el desplegado y el plegado de este producto.
- » No se debe dejar a ningún niño en el vehículo al plegar o desplegar el cochecito.
- » No permita que el niño juegue con este producto.
- » Este producto no es adecuado para correr o patinar. Ponga siempre el freno al meter y sacar al niño del carrito.
- » Cualquier carga unida al asa / parte trasera de la unidad de asiento o a ambos lados del carrito afecta a la estabilidad del vehículo.
- » Este producto solo es adecuado para un niño que no puede sentarse sin ayuda.
- » Úselo únicamente sobre una superficie firme, horizontal, nivelada y seca.
- » Nunca use este producto sobre un soporte.
- » Peso máximo y edad del niño a quien va destinado el cochecito: 22 kg o 4 años, lo que ocurra primero;
- » El cochecito no debe utilizarse tan pronto como el niño pueda sentarse solo, darse la vuelta y empujarse sobre sus manos y rodillas.
- » El carrito solo es adecuado para un número específico de niños y solo puede utilizarse para los grupos de edad indicados.
- » Antes de colocar a su hijo en el capazo / la unidad de asiento del carrito / el asiento del coche asegúrese de verificar que no haya objetos pequeños que puedan causar.
- » Usar un arnés tan pronto como el niño se pueda sentar por sí mismo. No añada un colchón.
- » Este producto es adecuado para niños que no pueden sentarse sin ayuda, girar y subir sobre sus manos y rodillas con un peso máximo de 9kg.
- » Comprobar que los dispositivos de sujeción del capazo, del asiento o de la silla de coche están correctamente engranados antes del uso.
- » En el chasis del cochecito se puede fijar una góndola, un asiento o una sillita para automóvil. El chasis Venicci es totalmente compatible con: Venicci Unidad de asiento, Venicci Capaz.
- » Usar siempre el sistema de retención.
- » No lo utilice si alguna pieza del capazo está rota, rota o falta.
- » No permita que otros niños jueguen sin supervisión cerca del capazo.



- » Sistema de bloqueo de dos puntos para el capazo, la unidad de asiento y el asiento de coche. El mecanismo de bloqueo se activa automáticamente cuando se coloca sobre las ranuras de los adaptadores del capazo, la unidad de asiento o el asiento del coche.
- » Botón para desactivar el sistema de bloqueo. Para desenchufar el capazo, la unidad de asiento o el asiento del coche, antes de levantarlo, presione el botón en los lados izquierdo y derecho del chasis. Antes de volver a utilizar el producto, asegúrese de que el sistema de bloqueo funciona correctamente levantando la parte desmontable.
- » Antes de usar, lea el siguiente manual atentamente y guárdelo. La seguridad del niño puede verse comprometida si no se siguen las recomendaciones incluidas en este manual. El fabricante del carrito no es responsable de los efectos por no seguir las notas, advertencias y recomendaciones incluidas en la documentación del producto.
- » Después de la compra mantenga todos los componentes especificados por el fabricante en el manual del departamento de reparación (REPARACIÓN) antes de usar el carrito. Este vehículo necesita un mantenimiento regular por parte del usuario. Es responsabilidad del usuario llevar a cabo inspecciones y mantenimiento de rutina del vehículo para evitar daños al vehículo y/o lesiones al niño.
- » Ajuste de la altura del tubo del asa del carrito. Para cambiar la altura del tubo del asa del carrito mantenga pulsados los botones en ambos lados del tubo del asa, seleccione la altura necesaria y suelte ambos botones. Después de ajustar la altura del tubo del asa, aguántela en la parte superior y muévala dos veces arriba y abajo para asegurarse de que los bloqueos funcionan correctamente.
- » En caso de carritos equipados con tubos de asas transferibles, asegúrese de que las manos del niño no se encuentran fuera del contorno interno del asiento al cambiar la posición del tubo del asa. Después de cada cambio de posición del tubo del asa, compruebe la efectividad del mecanismo de bloqueo de fijación automática tirando del tubo del asa hacia arriba y hacia abajo varias veces.
- » Al cambiar la posición del respaldo o del moisés, preste atención a las manos y la cabeza del niño.
- » Ajuste del reposapiés. El carrito está equipado con un reposapiés ajustable. Para bajar el reposapiés pulse los botones de ajuste en ambos lados del reposapiés, ajuste la posición del reposapiés y suelte los botones. El reposapiés está equipado con un sistema de bloqueo automático que no necesita que se suelten los botones al levantar el reposapiés.
- » No permita que el niño se ponga de pie ni se siente en el reposapiés. El impacto de una carga superior sobre el reposapiés puede causar daños a los mecanismos de bloqueo. Cuando el niño suba y baje independientemente del carrito, coloque el reposapiés en su posición inferior.
- » No permita que el niño se ponga de pie sobre el asiento ya que puede dañar la estabilidad del carrito y hacer que el carrito se caiga. Para incrementar la estabilidad del producto cuando lo esté utilizando, asegúrese de que el bebé está colocado en la parte central del capazo o de la unidad de asiento.
- » Ajuste del respaldo en la versión de paseo. El asiento de paseo está equipado con un respaldo ajustable. Para bajar el respaldo a la posición de medio sentado o tumbado, tire del asa en la parte trasera del respaldo hacia arriba, seleccione la posición

deseada y suelte el asa. El respaldo está equipado con un mecanismo de bloqueo automático con muelles de caga que no necesita que se levante el asa al levantar el respaldo desde la posición tumbada a sentada. Cada vez que cambie la posición del respaldo compruebe si el sistema de unión está funcionando correctamente y ajuste la configuración del arnés en consecuencia para ajustarlo a la nueva posición de su bebé.

- » No permita que el niño se ponga de pie sobre el asiento ya que puede dañar la estabilidad del carrito y hacer que el carrito se caiga. Para incrementar la estabilidad del producto cuando lo esté utilizando, asegúrese de que el bebé está colocado en la parte central del capazo o de la unidad de asiento.
- » No transporte el carrito agarrando de la capota, el borde superior del respaldo, el reposapiés o el elemento de creación de la versión de carrito. No use el carrito en escaleras ni deje el carrito con el niño dentro en superficies desiguales (incluso con el freno puesto) ya que puede ir hacia abajo. El transporte del carrito para subir o bajar escaleras, subir el carrito al autobús, etc. debe realizarse con la ayuda de otra persona. La persona que aguante el tubo del asa del carrito pasa el obstáculo primero mientras que aguanta el tubo del asa del carrito y la persona que aguanta el otro extremo del carrito debe agarrar el carrito por un elemento estable como la parte superior fija del chasis. Al transportar el carrito para bajar escaleras, la persona que está ayudando baja primero.
- » Cuando no se esté usando el carrito, siempre debe ponerse el freno. El uso del freno requiere bajar el nivel del freno y comprobar la efectividad del freno. Antes de mover el carrito, asegúrese de que las ruedas del carrito no están bloqueadas. Mover el carrito con las ruedas bloqueadas puede causar daños en los elementos de bloqueo.
- » Al pasar obstáculos a una variedad de niveles (por ejemplo, marcos de puertas altos), acerque ambas ruedas (del mismo eje) presionando simultáneamente el tubo del asa hacia abajo cuando pase el obstáculo con las ruedas delanteras. Al pasar obstáculos más altos (por ejemplo, el acceso a la acera de un paseo), coloque las ruedas delanteras del carrito ligeramente por encima del nivel de la superficie del obstáculo simultáneamente presionando el tubo del asa del carrito hacia abajo y acercándolo hacia el cuerpo, acerque las ruedas delanteras al obstáculo, baje las ruedas delanteras y mueva las ruedas traseras por encima del obstáculo elevando el carrito hacia arriba. Cualquier choque con objetos o superficies duras puede dañar (deformar) los elementos que conectan el chasis o dañar los elementos del chasis causando una falta de alineación apropiada.
- » En caso de sistemas de viaje equipados con unidad de asiento reversible, no se permite cambiar su posición cuando el bebé se encuentre en ella.
- » Mantenga los elementos del cochecito. La suciedad en el chasis se debe quitar con una esponja húmeda y luego limpiar con un paño de algodón seco. No utilice agentes cáusticos, abrasivos o fuertes para la limpieza ya que pueden ser dañinos para los elementos del cochecito (decoloración, arañazos, etc.). Se recomienda utilizar agentes de limpieza adecuados para una superficie determinada. En el caso de cualquier suciedad en la cubierta del cochecito, quítela usando una esponja húmeda, agregando un agente de limpieza suave. Evite humedecer demasiado el asiento del cochecito, la parte inferior del capazo y el fondo del saco de dormir adicional (cochecito de función intercambiable), ya que esto puede causar deformación de los

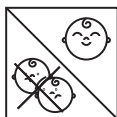
elementos del anillo del larguero.

- » Para evitar gotas o manchas que puedan tener lugar después de precipitaciones, por ejemplo, asegure el carrito contra las caladuras mediante el uso de un protector de lluvia para todo el carrito. Se recomienda proteger el carrito de los efectos de la luz solar fuerte. El fabricante no puede aceptar responsabilidad por el deterioro de la cobertura del carrito que resulten de no seguir estas recomendaciones.
- » Antes de montar y desmontar las ruedas, eleve el mecanismo de bloqueo del freno hacia arriba (freno desbloqueado). Recomendamos que los ejes del carrito se mantengan limpios. Cuando los carritos estén equipados con ruedas sin rodamientos, los ejes del carrito deben mantenerse lubricados con un agente espeso (grasa, aceite para máquinas) para reducir la fricción en los extremos del tubo. En los modelos equipados con ruedas con rodamientos, se recomienda lubricar los ejes con un agente lubricante, por ejemplo, WD40. En caso de ruedas inflables, recomendamos que la presión del tubo interior se mantenga a un nivel constante que no supere 0.6 bares o el valor indicado en el chasis de la rueda.
- » La carga de la cesta sujeta al bastidor del cochecito no debe superar los 3 kg. La carga accesible de la bolsa colgada del asa del cochecito es de 1 kg. Los bolsillos del cochecito son solo para fines decorativos, no se deben colocar objetos con un peso total superior a 0,15 kg dentro de cada bolsillo o un peso de 0,35 kg en todos los bolsillos.
- » **ATENCIÓN:** Los accesorios o las piezas de repuesto que no hayan sido aprobadas por el fabricante o distribuidor no deben ser utilizadas.
- » Operando el freno de estacionamiento:
- » Presione el pedal para activar el freno de estacionamiento.
Presione y suelte para desactivar el freno de estacionamiento.
ADVERTENCIA: nunca abandone el vehículo sin antes haber accionado completamente el freno de estacionamiento.
- » Los adaptadores para el asiento de coche que el fabricante o distribuidor no haya aprobado no deben utilizarse. **ATENCIÓN:** Compruebe que los dispositivos de unión del asiento de coche están unidos correctamente antes de usar.
- » Para los chasis equipados con agujeros de montaje para el asiento de coche – todos los conectores que el fabricante o distribuidor no hayan aprobado no deben ser utilizados. El fabricante no es responsable de las consecuencias de la instalación de otros asientos de coche en el chasis que no tengan su aprobación. La lista de asientos de coche con aprobaciones adecuadas está publicada en el sitio web del fabricante.
- » No utilice la combinación del asiento de coche y el chasis como lugar para que el niño duerma durante largos periodos de tiempo. Si su hijo quiere dormir, utilice siempre el capazo o la cuna portátil. El carrito se utiliza como medio de transporte, no cargue el producto. Para mover el carrito hacia delante y hacia atrás distancias cortas las ruedas delanteras deben estar bloqueadas en la posición fija. La flojedad tecnológica del mecanismo de giro puede provocar un cambio de dirección que no demuestra defectos en el producto.
- » El fabricante recomienda colocar el asiento de coche en dirección opuesta a la dirección de viaje (de cara a los padres), hace que sea más fácil observar al niño en el asiento de coche.

- » Para los carritos diseñados desde el nacimiento en adelante se recomienda que el niño esté tumbado en posición plana en todo momento.
- » Para los capazos equipados con asas de correa asegúrese siempre de que las asas de transporte están fuera del capazo cuando se estén utilizados. Para los capazos equipados con un asa de transporte central superior; antes de levantar asegúrese de que el asa está posicionada perpendicularmente al capazo, y que el bloqueo en su base está conectado y funcionando apropiadamente.
- » Para cualquier reparación dentro o fuera de la garantía utilice solamente partes suministradas o recomendadas por el fabricante o distribuidor relevante. El carrito no debe utilizarse si se ha observado cualquier clase de defecto o alguno de los elementos ha sido dañado.
- » La capota de la unidad de asiento ha sido diseñada usando tiras de acero flexibles, que bajo la influencia de presión pueden deformarse. Esto puede resultar en una disminución de espacio entre las barras de metal internas y otros artes del sistema y llevar a daños tales como el desgaste en la tela. En caso de deformación debe realizar una corrección estrujando y estirando suavemente las barras de metal internas.
- » Después de desplegar el chasis, compruebe si las ruedas traseras y delanteras están colocadas apropiadamente intentando desmontarlas del chasis sin presionar el botón que desbloquea el mecanismo de bloqueo.
- » Después de plegar el chasis, compruebe si el mecanismo de seguridad (broche de seguridad) que asegura que el chasis no se pliegue por sí solo está funcionando / sujeto apropiadamente. Si el broche de seguridad no está sujeto apropiadamente, tiene que ser ajustado manualmente.
- » Al plegar y desplegar el chasis y durante la etapa de montaje, mantenga sus manos a una distancia segura de las partes móviles para evitar lesiones.
- » Los anillos "D" se proporcionan para la fijación de un arnés adicional. Estos se encuentran en la base del capazo, cerca del eje de la unidad de reclinado. Los anillos 'D' se proporcionan para la instalación de un arnés extra en caso de que el usuario lo crea necesario. El arnés extra se puede comprarse directamente con su distribuidor.
- » No coloque el capazo cerca de un fuego abierto u otra fuente de calor fuerte. Las asas y la parte inferior del capazo deben inspeccionarse periódicamente para detectar signos de daños y desgaste. Si el capazo está destinado a utilizarse con un soporte, se comprobará que el soporte sea del tamaño adecuado para acomodar la base del capazo. La cabeza del niño en el capazo nunca debe estar más baja que el cuerpo del niño.
- » Tenga cuidado con el peligro de golpear al bebé, por ejemplo, al colocarlo en el suelo, al pasar por las puertas.
- » No deje nada en la cuna que pueda representar un peligro de asfixia, por ejemplo, juguetes no rígidos, almohadas...
- » No coloque la cuna cerca de otro producto que pueda representar un peligro de estrangulamiento, como cuerdas, cordones de persianas...
- » ¡Recuerde que el sobrecalentamiento puede poner en peligro la vida de su hijo! Tenga en cuenta la temperatura ambiente y la ropa del niño y asegúrese de que no tenga ni demasiado frío ni demasiado calor.
- » Recuerde pedir consejo a un profesional de la salud sobre el sueño seguro.
- » Nunca suba ni baje el capazo o la silla con el bebé dentro.

OSTRZEŻENIE!

- » Nigdy nie zostawiaj dziecka bez opieki.
- » Upewnij się przed użyciem, czy wszystkie urządzenia blokujące są włączone.
- » Przed użyciem produktu upewnij się, że wszystkie urządzenia blokujące działają poprawnie.
- » Aby uniknąć obrażeń, upewnij się, czy dziecko jest odsunięte kiedy rozkłada się lub składa niniejszy wyrób.
- » Rozkładaj i składaj produkt z dala od dziecka, dzieci aby uniknąć ich zranienia.
- » Nie pozwalaj dziecku bawić się tym wyrobem.
- » Niniejszy wyrób nie jest odpowiedni do biegania ani jazdy na rolkach.
- » Wszelkie obciążenia przyłączone do uchwytu i/ lub tylnej części oparcia i/ lub po bokach wózka wpływają na jego stabilność. Wózek może być używany przez okres i liczbę dzieci, dla których został zaprojektowany.
- » Ten produkt przeznaczony jest wyłącznie dla dzieci, które nie potrafią samodzielnie usiąść.
- » Stawiać wyłącznie na stabilnej, poziomej i suchej powierzchni.
- » Maksymalna masa i wiek dziecka, dla którego przeznaczony jest wózek: 22 kg lub 4 lata, cokolwiek nastąpi pierwsze.
- » Przed umieszczeniem dziecka w wózku, sprawdź czy w wewnętrznym jego obszarze nie znajdują się luźne małe przedmioty, które na skutek połamania mogą spowodować uduszenie się dziecka.
- » Używaj urządzeń parkingowych, gdy dziecko jest wkładane do lub wyjmowane z wózka.
- » Używaj uprząży, gdy dziecko zacznie samodzielnie siadać.
- » Niniejszy wyrób jest odpowiedni dla dziecka, które nie może siedzieć samodzielnie, przewracać się na swoich rękach i kolanach. Maksymalna masa dziecka: 9 kg.
- » Sprawdź, czy urządzenia mocujące gondolę lub siedzisko lub fotelik samochodowy są prawidłowo załączone przed użyciem.
- » Na stelażu wózka można zamocować gondolę lub siedzisko lub fotelik samochodowy. Rama Venicci Upline 2 jest w pełni kompatybilna ze: spacerówką Venicci Upline 2 oraz gondolką Venicci Upline 2.
- » Zawsze używaj systemu zapieczętowania.
- » Nie dopuszczaj do zabawy dzieci w pobliżu gondoli bez opieki.
- » Nie używać gondoli, jeśli jakkolwiek jej część jest uszkodzona, zużyta lub zgniła.
- » Nie umieszczać gondoli w stojaku.



OSTRZEŻENIE!

- » Gniazdo dwupunktowego systemu blokady gondoli, fotelika lub siedziska. Mechanizmy blokad wyzwalane są automatycznie po umieszczeniu w gniazdach gondoli, siedziska lub adapterów fotelika.
- » Przycisk dezaktywacji systemu blokady. W celu wypięcia gondoli, adapterów fotelika lub siedziska przed ich uniesieniem do góry należy wcisnąć przycisk w lewej i prawej obudowie systemu. Przerywając proces wypinania, przed ponownym użyciem produktu należy upewnić się czy system blokady działa.
- » Przez użyciem zapoznaj się z niniejszą instrukcją obsługi. Pamiętaj, by zachować ją na później. Jeśli zalecenia instrukcji nie zostaną zastosowane bezpieczeństwo dziecka może być zagrożone. W przypadku niezastosowania się do uwag, porad oraz ostrzeżeń zawartych w niniejszym dokumencie producent wózka nie odpowiada za tego skutki.
- » Przed rozpoczęciem użytkowania wózka, zaraz po zakupie pamiętaj o dokonaniu konserwacji wszystkich elementów, które zostały wskazane przez producenta instrukcji w dziale SERWIS (SERVICE). Pamiętaj o kolejnych konserwacjach. Powinny być powtarzane według indywidualnej oceny. Częstotliwość konserwacji zależna jest od stopnia zużycia substancji konserwująco-smarującej.
- » Regulacja oparcia siedziska w wersji spacerowej. Siedzisko w wózku wyposażone zostało w regulowane oparcie. Jeśli chcesz opuścić oparcie do pozycji pół siedzącej lub leżącej, konieczne jest podciągnięcie do góry uchwyty, który znajduje się w tylnej części oparcia. Następnie należy ustawić odpowiednią pozycję, a na końcu zwolnić uchwyt. W przypadku podnoszenia oparcia z pozycji leżącej do siedzącej nie jest konieczne podnoszenie uchwyty, ponieważ oparcie wózka wyposażone jest w sprężynowy mechanizm auto-blokady. Po każdej zmianie ułożenia oparcia siedziska trzeba sprawdzić, czy system działania zapięć jest prawidłowy. Dodatkowo należy sprawdzić i dopasować szelki bezpieczeństwa do pozycji dziecka.
- » Dziecko nie może stawać na siedzisku, ponieważ wózek może stracić swoją stabilność i się przewrócić. Do zwiększenia stabilności i zadbania o bezpieczeństwo, należy do pilnować, by dziecko usadowione było w centralnej części siedziska i gondoli. Konieczne zadbać o jego prawidłową pozycję. Podczas zmiany położenia siedziska należy zadbać o bezpieczeństwo rączek i główki dziecka.
- » W przypadku postoju należy używać hamulca. Do jego użycia konieczne jest opuszczenie dźwigni hamulca, a następnie sprawdzenie jego skuteczności. Zanim ruszysz po postoju, sprawdź czy koła wózka nie są zablokowane. Przez ruszanie wózka z zablokowanymi kołami dojść może do uszkodzenia elementów blokujących.
- » Obciążenie koszyka przymocowanego do ramy wózka nie powinno przekraczać 3 kg. Dopuszczalne obciążenie worka zawieszzonego na rączce wózka to 1 kg. Kieszenie w wózku służą wyłącznie do celów dekoracyjnych, w każdej kieszeni nie wolno umieszczać przedmiotów o łącznej wadze powyżej 0,15 kg lub 0,35 kg we wszystkich kieszeniach.
- » Wózka nie można przenosić trzymając go za górną krawędź oparcia, budkę, podnózek, a także elementy, które nadają kształt wózka. Należy pamiętać, że wózek nie może być pozostawiony na pochyłościach, nawet w załączonym hamulcem, ponieważ dojść może do jego ześlizgnięcia. Wózkiem nie można zjeżdżać po schodach.

Podczas wnoszenia lub znoszenia wózka po schodach lub wstawiania wózka do autobusu należy zadbać to, by był on asekurowany przez dwie osoby. Osoba, która pokonuje przeszkodę jako pierwsza powinna trzymać wózek za prowadnicę. Osoba, która pomaga trzymać wózek powinna trzymać za stabilny element z drugiej strony. Przy schodzeniu w dół lub znoszenia wózka po schodach. To osoba asekurowająca powinna schodzić jako pierwsza.

- » Podczas pokonywania przeszkód takich jak różnego rodzaju nadproża, należy podjeżdżać dwoma kołami w tej samej osi jednocześnie w tym samym czasie dociskając prowadnicę wózka w dół. Podczas pokonywania wyższych przeszkód, takich jak krawężnik lub podjazd, należy unieść przednie koła wózka. Delikatnie przenieś koła ponad przeszkodą, a jednocześnie dociskaj prowadnicę wózka w dół i przyciągaj ją do siebie. Podjeżdżając tylnymi kołami do przeszkody, opuszczaj przednie koła i przeprowadź tylne koła ponad przeszkodą, delikatnie podnosząc wózek do góry. Podczas przenoszenia wózka ponad przeszkodami musisz pamiętać o delikatnych ruchach, ponieważ silne uderzenia w poprzeczną przeszkodę mogą doprowadzić do naruszenia elementów wózka, tym samym doprowadzając do utraty prostoliniowości toru jazdy.
- » Podczas zmiany położenia gondoli lub oparcia siedziska należy zadbać o bezpieczeństwo rączek i główki dziecka.
- » W wózkach, które wyposażone są w siedzisko z możliwością zmiany kierunku jazdy, należy pamiętać. Że nie powinno zmieniać się położenia siedziska w momencie, w którym przebywa w nim dziecko.
- » Wózek wyposażony został w regulowany podnóżek. Do opuszczenia podnóżka konieczne jest wciśnięcie przycisku regulatorów podnóżka z obu stron. Następnie należy ustawić podnóżek w odpowiedniej pozycji, a na końcu zwolnić oba przyciski. Jeśli podnóżek posiada mechanizm auto-blokady w przypadku podnoszenia podnóżka do góry zwalnianie przycisków nie jest potrzebne.
- » Należy pamiętać, by dziecko nie siadało i nie stało na podnóżku siedziska. Duże obciążenie oddziałujące na podnóżek może doprowadzić do uszkodzenia mechanizmów blokujących. Podnóżek powinien być ustawiony na najniższym położeniu w chwili samodzielnego wysiadania i wsiadania dziecka do wózka.
- » Przed ściąganiem i zakładaniem koła należy podnieść zapadnie hamulca do góry, by doszło do odblokowania hamulca. Należy dbać o czystość osiek wózka. W celu zmniejszenia tarcia piast kół w przypadku wózków, które wyposażone są w koła bez łożysk należy smarować oski wózka gęstymi środkami, takimi jak olej maszynowy lub towot. Przy wózkach, w których koła mają zamontowane łożyska, należy regularnie nawilżać oski środkami smarująco-konserwującymi, takimi jak WD40. Ciśnienie w kołach należy kontrolować, jeśli w wózku montowane są koła pompowane. Należy pamiętać, że ciśnienie w dętce nie powinno przekraczać 0,6 bar lub wielkości, która podana jest na obręczy koła.
- » Nie zaleca się stosowania dodatkowego wyposażenia niewymiennego przez producenta w przypadku wyposażenia standardowego. W przypadku uszkodzenia producent nie odpowiada za skutki stosowania elementów niestandardowych, które nie należą do podstawowego wyposażenia wózka lub nie służą do użytku z danym modelem wózka.
- » Przy konstrukcji, która wyposażona jest w gniazda umożliwiające montaż fotelika samochodowego producent nie zaleca stosowania dodatkowych łączników. Nie

należy stosować fotelików innych, niż tych wskazanych przez producenta. W przypadku uszkodzenia producent nie ponosi odpowiedzialności za skutki stosowania fotelików samochodowych, których nie aprobował. Lista fotelików, które posiadają aprobatę producenta dostępna jest na stronie marki produktu.

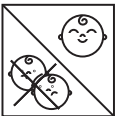
- » Podczas montowania fotelika samochodowego do wózków, których konstrukcja wymaga stosowania adapterów zaleca się stosowanie adapterów, które mają aprobatę techniczną producenta lub są przez niego dopuszczone do użytku. UWAGA Zanim użyjesz wózka koniecznie sprawdź, czy zamocowanie fotelika samochodowego do podwozia jest prawidłowe.
- » Po rozłożeniu wózka pamiętaj, by sprawdzić, czy przednie i tylne koła są prawidłowo zamontowane. Możesz to zrobić poprzez dokonanie próby wypięcia i ściągnięcia kół bez przyciskania przycisków, których zadaniem jest zwalnianie blokady kół.
- » Konstrukcja wózka wyposażona jest w koszyk, którego obciążenie nie powinno przekraczać 3 kg. Torba zawieszona na ręczce wózka nie powinna ważyć więcej niż 1,5 kg. Wózek wyposażony jest w ozdobne kieszenie, w których nie powinny być umieszczone przedmioty o wadze większej niż 0,15 kg w każdej kieszeni i łącznej wadze 0,35 kg we wszystkich kieszeniach.
- » Nie można zapomnieć o pielęgnacji i zachowaniu w czystości wszystkich elementów wózka. Zabrudzenia pojawiające się na elementach konstrukcji należy przemywać wilgotną gąbką. Następnie czyszczoną część należy przetrzeć na sucho ściereczką flanelową lub bawełnianą. Do usuwania zabrudzeń nie można stosować środków żrących, a także twardych materiałów, ponieważ mogą one doprowadzić do pojawienia się zmian na częściach wózka (zarysowań, zadrapań, odbarwień itp.) Zalecane są preparaty, które przeznaczone są do określonej powierzchni. Kiedy zabrudzenia pojawią się na tapicerce wózka, do czyszczenia należy użyć wilgotnej gąbki z dodatkiem środków czyszczących o delikatnym działaniu. W celu uniknięcia zniekształcenia elementów usztywniających siedzisko spacerówki, dno gondoli, dna dodatkowego ocieplenia (wózek o zmiennej funkcji) należy unikać nadmiernego przemakania tych elementów wózka.
- » Zaleca się stosowanie pokrowca przeciwdeszczowego na cały wózek, by uniknąć powstawania zacieków i plam, które mogą pojawić się na powierzchni wózka przez wystawienie go na opady deszczu. Dodatkowo należy chronić wózek przed długotrwałym działaniem promieni słonecznych. W przypadku pojawienia się zmian w wyglądzie tapicerki powstałych na skutek niezastosowania się do powyższych zaleceń, uszkodzenia nie będą uwzględniane w reklamacji.
- » Pojazd nie zastępuje łóżeczka i łóżka w przypadku stosowania fotelików samochodowych, które używane są z ramą wózka. Dziecko powinno być umieszczone w gondoli wózka, łóżeczku lub łóżku w odpowiedniej pozycji, w momencie, w którym potrzebuje odpoczynku i snu. Należy pamiętać, że wózek jest środkiem transportu, więc nie można nim bujać i kołysać. Podczas poruszania wózkiem w przód i w tył na krótkich odcinkach należy uruchomić blokadę kół. Jest to konieczne w przypadku produktów, które wyposażone są w mechanizm obrotowy przednich kół. Luzy technologiczne mechanizmu obrotowego przyczynić się mogą do powstawania zmian toru jazdy, co nie stanowi wady produktu.
- » Dla ułatwienia obserwacji dziecka i zwiększenia jego bezpieczeństwa w trakcie jazdy samochodem, należy wpinać fotelik w kierunku przeciwnym, do kierunku jazdy.
- » Zalecane jest używanie wózków w przewadze pozycji leżącej w przypadku stosowania

wózków, które przeznaczone są dla dzieci od narodzin.

- » Podczas użytkowania gondoli wyposażonej w boczne uchwyty nośne, należy zadbać o to, by pozostały one poza wewnętrzną częścią gondoli. W przypadku gondoli, które wyposażone są w centralny górny uchwyt do podnoszenia należy upewnić się, czy uchwyt jest ustawiony w pozycji prostopadłej do ramki gondoli tuż przed podnoszeniem gondoli. Dodatkowo należy sprawdzić, czy blokady w jego podstawie są włączone, oraz czy działają prawidłowo.
- » Nie zaleca się używania wózka, jeśli wykryta została jakakolwiek wada produktu. Nie powinno się używać wózka w przypadku uszkodzenia jego elementów. Przy naprawach gwarancyjnych i pogwarancyjnych zaleca się stosowanie części zamiennych, które zostały dostarczone przez producenta, dystrybutora lub serwis, który działa w imieniu dystrybutora lub producenta.
- » Należy pamiętać, że siedzisko spacerowe wózka wyposażone zostało w budki. Tapicerka w nich montowana jest umieszczona na elastycznych listwach wykonanych ze stali.
- » Po rozłożeniu wózka pamiętaj, by sprawdzić, czy przednie i tylne koła są prawidłowo zamontowane. Możesz to zrobić poprzez dokonanie próby wypięcia i ściągnięcia kół bez przyciskania przycisków, których zadaniem jest zwalnianie blokady kół.
- » Podczas składania i rozkładania wózka, a także podczas montowania elementów rozdzielnych, takich jak siedzisko, gondola lub fotelik, pamiętaj o tym, by ręce trzymać w bezpiecznej odległości od elementów zatraskowych i ruchomych. W ten sposób unikniesz zranienia.
- » Do korzystania z hamulca należy nacisnąć pedał. Jest to konieczne, by włączyć blokadę hamulca/ Do zwolnienia blokady hamulca należy nacisnąć i zwolnić pedał. UWAGA! Nie zaleca się zostawiania wózka bez opieki osoby dorosłej bez uprzedniego sprawdzenia, czy blokada hamulca działa prawidłowo.
- » Nie umieszczaj nosidełka w pobliżu otwartego ognia lub innego źródła silnego ciepła. Rączki i spód gondoli należy regularnie sprawdzać pod kątem oznak uszkodzenia i zużycia. Jeśli przenośne łóżeczko jest przeznaczone do użytku ze stojakiem, należy sprawdzić, czy stojak ma odpowiedni rozmiar, aby pomieścić podstawę gondoli. Głowa dziecka w gondoli nigdy nie powinna znajdować się niżej niż tułów dziecka.
- » Przed przeniesieniem lub podniesieniem gondoli, upewnij się, że uchwyty znajdują się w prawidłowym położeniu. Przed przeniesieniem lub podniesieniem gondoli, dno gondoli powinno być ustawione w najniższej pozycji.
- » Pamiętaj o ryzyku uderzenia dziecka np. podczas kładzenia na podłodze, przechodzenia przez drzwi.
- » Nie zostawiaj w gondoli niczego, co mogłoby spowodować ryzyko uduszenia, np. miękkie zabawki, poduszki...
- » Nie umieszczaj gondoli w pobliżu innego produktu, gdyż może to spowodować ryzyko uduszenia, np. sznurków, sznurków do rolet/zasłon...
- » Pamiętaj, że przegrzanie może zagrozić życiu Twojego dziecka! Weź pod uwagę temperaturę otoczenia i ubranie dziecka i upewnij się, że dziecku nie jest ani za zimno, ani za ciepło.
- » Pamiętaj, aby poprosić pracownika służby zdrowia o poradę dotyczącą bezpiecznego snu.
- » Nigdy nie podnoś ani nie opuszczaj gondoli ani siedziska z dzieckiem w środku.

WARNUNG!

- » Lassen Sie das Kind nie unbeaufsichtigt.
- » Vergewissern Sie sich vor Gebrauch, dass alle Verriegelungen eingerastet sind.
- » Vergewissern Sie sich, dass das Kind beim Aufklappen und Zusammenklappen des Wagens außer Reichweite ist, um Verletzungen zu vermeiden.
- » Lassen Sie das Kind nicht mit dem Produkt spielen.
- » Dieses Produkt ist nicht zum Joggen oder Skaten geeignet.
- » Stellen Sie immer die Bremsen fest wenn Sie Ihr Kind in den Wagen setzen und herausnehmen.
- » Jede Belastung am Schiebegriff und / oder an der Rückseite und / oder an den Seiten des Wagens befestigter Lasten, beeinflussen die Stabilität und das Fahrverhalten des Kinderwagens.
- » Verwenden Sie einen Sicherheitsgurt, sobald das Kind selbstständig sitzen kann.
- » Benutzen Sie keine Matratze.
- » Verwenden Sie immer das Rückhaltesystem.
- » Dieses Produkt ist nur für ein Kind geeignet, das nicht ohne Hilfe aufstehen kann.
- » Nur auf einer festen, horizontalen, ebenen und trockenen Oberfläche verwenden.
- » Maximales Gewicht und Alter des Kindes, für das der Kinderwagen bestimmt ist: 22 kg oder 4 Jahre, je nachdem, was zuerst eintritt.
- » Der Kinderwagen kann nur für den Zeitraum und die Anzahl von Kinder verwendet werden, für die er entworfen wurde. Bevor Sie ein Kind im Kinderwagen transportieren, stellen Sie sicher, dass im Wagen keine losen Gegenstände sind, die bei verschlucken eine Erstickungsgefahr darstellen könnten.
- » Der Kinderwagen darf nicht benutzt werden, sobald das Kind alleine sitzen, sich umdrehen und sich auf Hände und Knie drücken kann. Maximales Gewicht des Kindes 9 kg.
- » Vergewissern Sie sich vor der Verwendung, dass der Kinderwagenaufsatz oder der Sitzeinheit oder die Befestigungselemente des Autositzes korrekt eingerastet sind.
- » Am Gestell des Kinderwagens kann eine Babywanne oder Sitz oder Kindersitz befestigt werden. Venicci Upline 2 Chassis ist voll kompatibel mit: Venicci Upline 2 Sitzeinheit, Venicci Upline 2 Babywanne.
- » Zweipunktverriegelung für Tragetasche, Sitzeinheit und Autositz. Der Verriegelungsmechanismus wird automatisch ausgelöst, wenn es im Schlitz des Tragegestells, der Sitzeinheit oder der Autositzadapter platziert.
- » Lassen Sie andere Kinder nicht unbeaufsichtigt in der Nähe der Tragetasche spielen.
- » Nicht verwenden, wenn ein Teil der Tragetasche kaputt ist, zerrissen ist oder fehlt.
- » Verwenden Sie dieses Produkt niemals auf einem Ständer.



DE **WARNUNG!**

- » Taste zum Deaktivieren des Verriegelungssystems. Um das Tragegestell, die Sitzeinheit oder den Autositz vor dem Hochheben abzutrennen, drücken Sie auf die Knöpfe an der linken und rechten Seite des Chassis. Bevor Sie das Produkt wiederverwenden, stellen Sie sicher, dass das Verriegelungssystem ordnungsgemäß funktioniert, indem Sie das abnehmbare Teil hochheben.
- » Vor der Benutzung muss die vorliegende Anleitung durchgelesen und für spätere Zwecke aufbewahrt werden. Die Sicherheit des Kindes kann gefährdet sein, wenn die Anweisungen der vorliegenden Anleitung nicht befolgt werden. Der Kinderwagen Hersteller haftet nicht für die Folgen einer mangelnden Einhaltung der Hinweise, Warnungen und Empfehlungen, die in der Produktdokumentation enthalten sind.
- » Nach dem Kauf, bevor Sie den Kinderwagen in Nutzung nehmen, führen Sie bitte die vom Hersteller in der Gebrauchsanweisung des Produkts im Bereich Service angegebenen Wartungsarbeiten durch. Weitere Wartung sollte nach eigenem Ermessen und Beanspruchung wiederholt werden, mindestens aber einmal im Monat.
- » Höhenverstellung des Kinderwagenschiebers. Um die Höhe des Kinderwagenschiebers zu verändern, sind die der Verstellung dienenden Drucktasten auf beiden Seiten des Schiebers zu betätigen. Nach Höheneinstellung sind anschließend beide Drucktasten loszulassen und darauf zu achten, dass diese eingerastet sind.
- » Bei Kinderwagen mit einem Schwenkschieber muss während einer Verlagerung des Schiebers besonders darauf geachtet werden, dass sich die Hände des Kindes nicht außerhalb des Sitzbereichs befinden. Nach jeder Veränderung der Lage des Kinderwagenschiebers ist die Funktion der Blockade für die selbsteinrastenden Mechanismen durch mehrfaches vorsichtiges Auf- und Abbewegen des Schiebers zu überprüfen. **WARNUNG!** Vergewissern Sie sich vor Gebrauch, dass alle Verriegelungen am Schieber geschlossen sind.
- » Während einer Veränderung der Position der Rückenlehne im Sportwagen oder in der Liegewanne muss auf die Hände und den Kopf des Kindes geachtet werden.
- » Verstellung der Fußstütze. Der Kinderwagen ist mit einer verstellbaren Fußstütze ausgestattet. Um die Fußstütze herabzulassen, sind die Drucktasten auf beiden Seiten zu betätigen und die Fußstütze in die entsprechende Position zu bringen. Beim Anheben erfolgt die Einstellung der Positionen automatisch.
- » Die Ösen (Typ D-Ring) sind für die Montage zusätzlicher Begurtung bestimmt. Diese befinden sich im unteren Teil der Begurtung, links und rechts im Bereich der Sitzfläche. Die Ösen sind für die Montage zusätzlicher Begurtung bestimmt, sollten diese benötigt werden. Zusätzliche Begurtung erhalten Sie bei Ihren Fachhändler.
- » Die Last des am Kinderwagenrahmen befestigten Korbs sollte 3 kg nicht überschreiten. Die zugängliche Last der am Kinderwagengriff hängenden Tasche beträgt 1 kg. Die Taschen des Kinderwagens dienen nur zu Dekorationszwecken. In jede Tasche dürfen keine Gegenstände mit einem Gesamtgewicht von mehr als 0,15 kg oder ein Gewicht von 0,35 kg für alle Taschen gelegt werden.
- » Die Kinderwagenelemente sind sauber zu halten. Verschmutzungen der Konstruktion sind mit einem feuchten Schwamm zu beseitigen. Anschließend ist die gereinigte Stelle mit einem trockenen Baumwoll- oder Flanelltuch abzuwischen. Zur Reinigung darf man keine ätzenden sowie scharfen Mittel oder harte Materialien verwenden,

die zu einer Veränderung der Wagenelemente führen können (Verfärbungen, Kratzer u.ä.). Es wird empfohlen, Reinigungsmittel zu verwenden, die für die jeweilige Fläche geeignet sind. Im Falle irgendwelcher Verschmutzungen des Kinderwagenpolsters müssen diese mit Hilfe eines feuchten Schwamms unter Zugabe milder Reinigungsmittel beseitigt werden. Ein übermäßiges Urchnässen des Sportwagensitzes, des Bodens der Liegewanne und des Bodens der Softtasche ist zu vermeiden, weil dies zu einer Verformung der versteifenden Elemente führen kann.

- » Um die Entstehung von Wasserflecken zu vermeiden, die nach Niederschlägen wie z.B. Regen entstehen können, ist der Kinderwagen vor einem Durchnässen zu sichern, indem ein Regenschutz für den gesamten Kinderwagen eingesetzt wird. Es wird empfohlen, den Wagen vor einer lang anhaltenden Einwirkung von Sonnenstrahlen zu schützen. Eine Veränderung des Aussehens der Stoffe, die sich aus einer mangelnden Einhaltung der Anweisungen ergibt, wird nicht als begründete Reklamation behandelt.
- » Wenn man den Kinderwagen trägt, darf man ihn nicht am Verdeck, am oberen Rand der Lehne, an der Fußstütze oder an der Liegeverlängerung, festhalten. Beim Tragen des Wagens über Hindernisse (z.B. Treppen) darauf achten, dass keine Arretierungen entriegelt werden. Man darf mit dem Kinderwagen nicht auf Treppen fahren oder den Kinderwagen mit Kind auf geneigten Flächen abstellen (selbst mit betätigter Bremse), weil dieser herunterrutschen könnte. Wenn man eine Treppe überwinden will, in einen Bus einsteigen möchte u.ä., sollte man den Wagen nur mit Hilfe einer zweiten Person tragen. Die den Kinderwagen am Schieber festhaltende Person bewältigt das erste Hindernis, indem sie den Schieber festhält. Die helfende Person greift den Kinderwagen von der anderen Seite an einem stabilen Element des Kinderwagens, z.B. Fahrgestell. Befahren Sie keine Treppen, tragen Sie den Kinderwagen nur zu zweit, sollten Sie allein sein, bitten Sie jemanden Ihnen zu helfen.
- » Bei Chassis, die mit Befestigungslöchern für den Autositz ausgestattet wurden, dürfen alle Anschlüsse, die der Hersteller oder Lieferant nicht genehmigt hat, nicht verwendet werden. Der Hersteller ist bei Folgen der Montage anderer Autositze am Chassis, die keine Genehmigung haben, nicht haftbar. Eine Liste der Autositze mit passenden Freigaben finden Sie auf der Webseite des Herstellers.
- » Wenn Hindernisse unterschiedlicher Form zu bewältigen sind (z.B. hohe Schwellen), muss man an diese mit beiden Rädern (einer Achse) gleichzeitig heranfahren und dann den Schieber des Kinderwagens nach unten drücken, sobald die Vorderräder das Hindernis überwinden sollen. Im Falle der Überwindung höherer Hindernisse (z.B. Bordstein) sind die Vorderräder des Kinderwagens vorsichtig über das Niveau des Hindernisses zu führen, indem der Schieber des Kinderwagens nach unten gedrückt und an sich herangeführt wird, die Hinterräder bis ans Hindernis zu bewegen, sodann die Vorderräder herabzulassen und die Hinterräder über das Hindernis zu rollen, indem man den Kinderwagen anhebt. Eine stärkere Kollision mit einem querliegenden Hindernis kann die die Konstruktion verbindenden Elemente oder ihre einzelnen Elemente beschädigen (verformen) und dadurch zu einem Verlust der Fähigkeit zur eradlinigen Fahrt führen.
- » Im Falle der Montage eines Kindersitzes auf einem Kinderwagengestell, das den Einsatz eines Adapters erfordert, ist es nur zulässig, vom Hersteller angegebene Adapter oder Adapter mit einer technischen Zulassung zu verwenden. **WARNUNG:**

Vor der Verwendung des Kinderwagens überprüfen Sie bitte, ob der Autokindersitz ordnungsgemäß auf dem Untergestell befestigt ist.

- » Verwenden Sie nicht die Kombination des Autositzes und des Chassis als langandauernden Schlafplatz für das Kind. Wenn Ihr Kind schlafen will, benutzen Sie immer das Baby- oder Kinderbett. Der Kinderwagen wird als Transportmittel verwendet, bringen Sie das Produkt nicht zum wackeln. Wenn man den Kinderwagen auf kurze Strecken nach vorne und hinten bewegt, sollten die Vorderräder an der festen Position verriegelt werden. Technologische Lockerheit des Schleudermechanismus.
- » Der Hersteller empfiehlt die Montage des Autositzes entgegengesetzt zur Fahrtrichtung, wodurch es einfacher ist, das Kind zu beobachten.
- » Im Fall von Fahrzeugen für den Einsatz für Kinder von der Geburt bestimmt ist, empfiehlt es sich, die Vorteile liegen verwenden.
- » Für Tragetaschen, die mit Gurtgriffen ausgestattet sind, ist immer sicherzustellen, dass die Tragegriffe bei der Benutzung außerhalb des Tragegestells liegen. Babytragetaschen mit oberem Tragegriff; Vor dem Heben sicherstellen, dass der Griff senkrecht zum Tragegestell positioniert und das Schloss in der Basis eingeschaltet ist und ordnungsgemäß funktioniert.
- » Es darf keine zusätzliche Ausstattung verwendet werden, die vom Hersteller nicht als Standardausstattung erwähnt wird. Der Hersteller haftet nicht für die Folgen einer Verwendung von Gegenständen, die nicht die Grundausrüstung des Kinderwagens darstellen oder nicht zur Verwendung mit dem jeweiligen Modell bestimmt sind.
- » Bevor die Räder demontiert und montiert werden, sollte die Bremse gelöst werden. Es wird empfohlen, die Achsen des Wagens sauber zu halten. Im Falle von Kinderwagen, die mit Rädern ohne Kugellager ausgestattet sind, sind die Kinderwagenachsen mit einem dickflüssigen Schmiermittel zu fetten, um die Reibung der Radnaben zu mindern. In Modellen, die montierte Kugellager besitzen, wird empfohlen, die Achsen mit einem Schmiermittel mit konservierender Wirkung zu schmieren, z.B. mit WD40 (Silikonöl). Im Fall von Luftstrahlern muss Luftdruck kontrolliert werden. Bitte beachten Sie: Der max. Fülldruck der auf der Bereifung angegeben ist, ist nicht der empfohlene Druck im täglichen Gebrauch des Kinderwagens, dieser ist abhängig von den klimatischen Bedingungen. Achten Sie bei Luftbereifung auf einen ausreichenden Luftdruck, dieser sollte zwischen 1,2 und max. 1,5 bar liegen. Die Reifen sollten immer so mit Luft gefüllt sein, dass dieser sich bei einer Daumenprobe noch leicht eindrücken lässt. Zu hoher Druck kann zu einer Verformung der Felgen, platzen der Schläuche und des Reifens führen, und unterliegen nicht der Gewährleistung. Kinderwagenräder werden nicht ausgewuchtet und können daher einen leichten Höhen- und Seitenschlag aufweisen. Abgefahrene Räder sind normale Verschleißerscheinungen. Platte Luftreifen können nur auf äußere Einwirkungen (durch spitze Gegenstände oder Fahren mit zu niedrigem Luftdruck) zurückgeführt werden. Hierfür kann keine Gewährleistung übernommen werden.
- » Für jegliche Gewährleistung und Nachgarantien dürfen nur die vom jeweiligen Hersteller oder Händler gelieferten oder empfohlenen Teile verwendet werden. Der Kinderwagen sollte nicht benutzt werden, wenn irgendeine Art von Defekt festgestellt wurde oder irgendwelche Teile beschädigt worden sind.
- » Die Abdeckung der Sitzeinheit wurde mit flexiblen Stahlstreifen konstruiert, die unter dem Einfluss von Druck verformbar sind. Dies kann zu einem verminderten Abstand

zwischen den inneren Metallstäben und anderen Teilen des Systems und zu einer Beschädigung führen – das Material kann z.B. reißen. Im Falle einer Verformung müssen Sie eine Korrektur durch sanftes Quetschen und/oder Dehnen der inneren Metallstäbe vornehmen.

- » Im Falle von Fahrsystemen, die mit einer umkehrbaren Sitzeinheit ausgestattet sind, ist es nicht erlaubt, ihre Position zu ändern, während sich das Baby darin befindet.
- » Überprüfen Sie nach dem Auseinanderlegen des Chassis, ob die Vorder- und Hinterräder ordnungsgemäß angebracht sind, indem Sie versuchen, sie vom Chassis zu lösen, ohne auf den Knopf zu drücken, der den Verriegelungsmechanismus entsichert.
- » Nach dem Falten des Chassis prüfen Sie, ob der Sicherheitsmechanismus (Sicherheitsclip), der das Chassis sicherstellt, sich nicht selbst entfaltet und darüber hinaus ordnungsgemäß funktioniert. Wenn der Sicherheitsclip nicht richtig befestigt ist, muss er manuell angepasst werden.
- » Beim Falten und Entfalten des Chassis, und während dem Montagevorgang, sollten sich Sie Ihre Hände in einem sicheren Abstand, weg von beweglichen Teilen, befinden, um Verletzungen zu vermeiden.
- » Funktion der Bremse. Zum Anbremsen drücken Sie das Bremspedal nach unten. Zum Entbremsen drücken und lösen Sie das Bremspedal. ACHTUNG: Entferne dich niemals vom Kinderwagen, ohne diesen angebremst zu haben !
- » Stellen Sie die Tragetasche nicht in der Nähe eines offenen Feuers oder einer anderen starken Wärmequelle auf. Die Griffe und der Boden der Tragetasche sollten regelmäßig auf Anzeichen von Beschädigung und Verschleiß überprüft werden. Wenn die Tragetasche mit einem Ständer verwendet werden soll, muss überprüft werden, ob der Ständer die geeignete Größe für die Basis der Tragetasche hat. Der Kopf des Kindes in der Tragetasche sollte niemals niedriger sein als der Körper des Kindes.
- » Achten Sie auf die Gefahr, das Baby zu treffen, z.B. beim Ablegen auf dem Boden, beim Durchgehen von Türen.
- » Lassen Sie nichts im Tragekorb liegen, was eine Erstickungsgefahr darstellen könnte, z.B. nicht starre Spielzeuge, Kissen...
- » Platzieren Sie den Tragekorb nicht in der Nähe eines anderen Produkts, das eine Strangulationsgefahr darstellen könnte, z.B. Schnüre, Schnüre von Jalousien/ Vorhängen...
- » Bitte denken Sie daran, dass Überhitzung das Leben Ihres Kindes gefährden kann! Beachten Sie die Umgebungstemperatur und die Kleidung des Kindes und stellen Sie sicher, dass es weder zu kalt noch zu warm ist.
- » Denken Sie daran, einen Gesundheitsprofessionellen um Rat zu sichern bezüglich des sicheren Schlafens.
- » Heben oder senken Sie niemals die Babytragetasche oder Sitzeinheit, während sich das Baby darin befindet.

DÔLEŽITÉ - PRED POUŽITÍM PREČÍTAJTE POZORNE TENTO NÁVOD A USCHOVAJTE HO PRE BUDÚCU POTREBU.

UPOZORNENIE!

- » Nikdy nenechávajte dieťa bez dozoru.
- » Pred používaním sa uistite, že všetky zaistovacie zariadenia sú zaistené.
- » Pri rozopínaní zapínání sa uistite, že dieťa nie je v kočiariku, aby ste predišli prípadnému úrazu.
- » Tento výrobok nie je hračka. Nenechajte dieťa hrať sa s týmto výrobkom.
- » Tento výrobok nie je vhodný na behanie, korčuľovanie. Používajte bezpečnostnú brzdu, keď vkladáte alebo vyberáte dieťa z kočíka.
- » Akékoľvek bremená pripevnené k rukoväti /alebo zadnej časti operadla/ alebo na bokoch kočíka ovplyvňujú jeho stabilitu.
- » Kočík sa môže používať iba po dobu a pre počet detí, pre ktoré bol navrhnutý.
- » Pred uložením dieťaťa do kočíka skontrolujte, či sa vo vnútornom priestore kočíka nenachádzajú voľne pohodené malé predmety, ktoré by mohli spôsobiť udusenie dieťaťa v dôsledku ich prehltnutia.
- » Nedovoľte, aby sa ďalšie deti hrali bez dozoru v blízkosti detskej postieľky.
- » Nepoužívajte, ak je niektorá časť detskej postieľky zlomená, roztrhnutá alebo chýba.
- » Nikdy nepoužívajte tento výrobok na stojane.
- » Maximálna hmotnosť a vek dieťaťa, pre ktoré je kočík určený: 22 kg alebo 4 roky, podľa toho, ktorá z týchto skutočností nastane skôr
- » Telo kočíka sa nesmie používať, hneď ako dieťa dokáže samo sedieť, prevrátiť sa a dokáže si tlačiť na ruky a kolena. Maximálna hmotnosť dieťaťa: 9 kg.
- » Pred použitím skontrolujte, či sú správne pripevnené upevňovacie zariadenia kočiarika, sedačky alebo autosedačky.
- » Namontujte vaničku alebo sedadlo, alebo autosedačku k rámu kočíka. Podvozok Venicci Upline 2 je plne kompatibilný s: Venicci Upline 2 Seat Unit, Venicci Upline 2 Carrycot.
- » Používajte vždy upevňovací systém.
- » Dvojbodový systém blokady vaničky, športovej časti alebo autosedačky. Automaticky sa zablokuje (zaistí) pri vložení vaničky, športovej časti alebo autosedačky do systému blokady.
- » Zámok deaktivácia dvojbodového systému. Za účelom odpojenia vaničky, športovej časti alebo autosedačky zo systému je potrebné stlačiť tlačidlá na pravej aj ľavej strane dvojbodového systému. Nie je potrebné stlačiť ich súčasne. Pred každým použitím kočiar sa uistite či vypínací prvok (vanička, športová časť, autosedačka s adaptérom) je zaistený v dvojbodovom.
- » Tento výrobok je vhodný iba pre dieťa, ktoré nemôže sedieť bez pomoci.
- » Používajte iba na pevný, vodorovný, rovný a suchý povrch.



SK UPOZORNENIE!

- » Pred použitím si prečítajte tento návod a uschovajte si ho pre budúce použitie. Nedodržovanie pokynov uvedených v tomto návode môže mať za následok ohrozenie bezpečnosti dieťaťa. Výrobca kočíka nenesie zodpovednosť za následky nedodržovania upozornení, výstrah a rád uvedených v dokumentácii k výrobku.
- » Po zakúpení kočíka a pred začatím jeho používania vykonajte údržbu súčiastok, uvedených výrobcom v návode na použitie produktu v časti SERVIS (SERVICE). Ďalšie údržby opakujte podľa svojho uváženia v závislosti na miere opotrebenia jednotlivých súčiastok.
- » Nastavenie výšky vodiacej rukoväte kočíka. Pre zmenu výšky vodiacej rukoväte stlačte a pridržte tlačidlá pre nastavenie na oboch stranách vodiacej rukoväte, nastavte želanú výšku a následne uvoľnite obidve tlačidlá. Ponastavení želanej výšky pridržte vodiacu rukoväť za jej hornú časť a niekoľkokrát ňou pohybte hore a dolu za účelom kontroly správneho fungovania poistiek.
- » V prípade kočíkov vybavených preklápacou vodiacou rukoväťou je nevyhnutné pri úkonoch spojených s jej preklápaním dávať osobitne pozor na to, aby ruky dieťaťa neprečnievali za vonkajší okraj sedadla. Po každej zmene vodiacej rukoväte kočíka je nevyhnutné skontrolovať zaistenie mechanizmu automatických západiek niekoľkonásobným trhnutím vodiacej rukoväte hore a dolu.
- » Počas zmeny polohy operadla sedadla alebo vaničky je potrebné dávať pozor na ruky a hlavu dieťaťa.
- » Nastavenie opierky na nohy. Konštrukcia kočíka je vybavená nastaviteľnou opierkou na nohy. Pre spustenie opierky smerom dole stlačte tlačidlá regulátorov opierky na nohy na oboch stranách, nastavte opierku do želanej polohy, uvoľnite obidve tlačidlá. Opierka na nohy je vybavená automatickým zaistovacím mechanizmom, ktorý nevyžaduje uvoľnenie tlačidiel pri dvíhaní opierky smerom hore.
- » Zabráňte tomu, aby dieťa stálo alebo si sadalo na opierku na nohy. Pôsobenie väčšej sily na opierku na nohy môže viesť k poškodeniu poistných mechanizmov. V okamihu, keď dieťa samostatne nasadá alebo vysadá z kočíka nastavte opierku na nohy do najnižšej polohy.
- » Zabráňte tomu, aby dieťa stálo alebo si sadalo na opierku na nohy. Pôsobenie väčšej sily na opierku na nohy môže viesť k poškodeniu poistných mechanizmov. V okamihu, keď dieťa samostatne nasadá alebo vysadá z kočíka nastavte opierku na nohy do najnižšej polohy.
- » Zabráňte tomu, aby dieťa stálo na sedadle, nakoľko to môže viesť k strate stability a k prevráteniu kočíka.
- » Pri zastavení kočíka používajte brzdu. Použitie brzd spočíva v spustení brzdovej páky a skontrolovaní.
- » Neprenášajte kočík tak, že ho budete držať za striešku, horný okraj operadla, opierku na nohy, komponent na zmenu kočíka na hlboký. Nejazdite s kočíkom dole a hore schodmi a nenechávajte kočík s dieťaťom na šikmých plochách (ani so zatiahnutou brzdou), nakoľko sa môže sklznúť. Vynášanie a znášanie kočíka po schodoch, do autobusu a pod. je potrebné vykonávať s pomocou druhej osoby. Osoba, ktorá drží rukoväť kočíka, prekonáva prekážku ako prvá, pomocná osoba drží kočík z druhej strany za stabilný komponent, napr. za konštrukciu kočíka. Pri znášaní kočíka po schodoch

alebo schádzaní z iných prekážok osoba, ktorá pomáha s kočíkom (istí kočík) schádza ako prvá.

- » účinnosti brzdenia. Predtým, ako sa s kočíkom pohnete po zabrzdení, skontrolujte, či kolesá kočíka nie sú zabrzdené, pohybovanie sa s kočíkom so zabrzdženými kolesami môže viesť k poškodeniu zaistovacích komponentov.
- » Cez prekážky v podobe rôznych nadpraží (napr. vysoké prahy), je potrebné prechádzať súčasne obidvoma kolesami (tej istej nápravy) a súčasne pritláčať vodiacu rukoväť kočíka smerom dole pri prechádzaní prednými kolesami cez prekážku. Pri prechádzaní cez vyššie prekážky (napr. výstup na obrubník) zdvihnite predné kolesá kočíka mierne nad úroveň prekážky a súčasne zatlačte vodiacu rukoväť kočíka smerom dolu a pritiahnite ju k sebe, podíďte zadnými kolesami k prekážke, spustite predné kolesá a prejdite zadnými kolesami cez prekážku – nadvihnite pritom kočík smerom hore. Silnejší úder do priečnej prekážky môže spôsobiť porušenie (zdeformovanie) spojovacích komponentov konštrukcie alebo poškodenie jej jednotlivých prvkov a viesť k strate priamočiarosti jazdnej dráhy.
- » Zaťaženie koša pripevneného k rámu kočíka by nemalo presiahnuť 3 kg, Prístupné zaťaženie tašky zavesenej na rukoväti kočíka je 1 kg. Vrecká kočíka slúžia iba na dekoratívne účely, do každého vrecka by nemali byť umiestnené žiadne predmety s celkovou hmotnosťou presahujúcou 0,15 kg alebo váha 0,35 kg pre všetky vrecká.
- » Pre zabránenie vzniku flakov alebo škvŕn, ktoré sa môžu objaviť po zrážkach, napr. po daždi je potrebné zabezpečiť detský kočík proti zmoknutiu pomocou príslušenstva pre zakrytie celého kočíka. Odporúča sa chrániť kočík proti dlhodobému pôsobeniu slnečných lúčov. Zmeny vzhľadu potahu, spôsobené nedodržiavaním uvedených pokynov, nebudú uznané ako dôvod oprávnenej reklamácie.
- » V prípade konštrukcie vybavenej montážnymi otvormi na montáž autosedačky sa nesmú používať
- » dodatočné spojovacie komponenty alebo iné autosedačky ako tie, ktoré uvádza výrobca.
- » Nepoužívajte doplnkové vybavenie, ktoré výrobca neuvádza v rámci štandardného vybavenia. Výrobca nezodpovedá za dôsledky používania predmetov, ktoré nepredstavujú základné vybavenie kočíka, alebo ktoré nie sú určené na používanie spolu s daným modelom.
- » Výrobca odporúča upevňovať autosedačku tak, aby bola obrátená proti smeru jazdy, čo umožňuje lepší dohľad nad dieťaťom sediacim v autosedačke.
- » Pred použitím si prečítajte tento návod a uschovajte si ho pre budúce použitie. Nedodržiavanie pokynov uvedených v tomto návode môže mať za následok ohrozenie bezpečnosti dieťaťa. Výrobca kočíka nenesie zodpovednosť za následky nedodržiavania upozornení, výstrah a rád uvedených v dokumentácii k výrobku.
- » Po zakúpení kočíka a pred začatím jeho používania vykonajte údržbu súčiastok, uvedených výrobcom v návode na použitie produktu v časti SERVIS (SERVICE). Ďalšie údržby opakujte podľa svojho uváženia v závislosti na miere opotrebenia jednotlivých súčiastok.
- » Nastavenie výšky vodiacej rukoväte kočíka. Pre zmenu výšky vodiacej rukoväte stlačte a pridržte tlačidlá pre nastavenie na oboch stranách vodiacej rukoväte, nastavte želanú výšku a následne uvoľnite obidve tlačidlá. Ponastavení želané výšky pridržte vodiacu rukoväť za jej hornú časť a niekoľkokrát ňou pohybte hore a dolu za

účelom kontroly správneho fungovania poistiek.

- » V prípade kočíkov vybavených preklápacou vodiacou rukoväťou je nevyhnutné pri úkonoch spojených s jej preklápaním dávať osobitne pozor na to, aby ruky dieťaťa neprečnievali za vonkajší okraj sedadla. Po každej zmene vodiacej rukoväte kočíka je nevyhnutné skontrolovať zaistenie mechanizmu automatických západiek niekoľkonásobným trhnutím vodiacej rukoväte hore a dolu.
- » Počas zmeny polohy operadla sedadla alebo vaničky je potrebné dávať pozor na ruky a hlavu dieťaťa.
- » Nastavenie opierky na nohy. Konštrukcia kočíka je vybavená nastaviteľnou opierkou na nohy. Pre spustenie opierky smerom dole stlačte tlačidlá regulátorov opierky na nohy na oboch stranách, nastavte opierku do želanej polohy, uvoľnite obidve tlačidlá. Opierka na nohy je vybavená automatickým zaistovacím mechanizmom, ktorý nevyžaduje uvoľnenie tlačidiel pri dvíhaní opierky smerom hore.
- » Zabráňte tomu, aby dieťa stálo alebo si sadalo na opierku na nohy. Pôsobenie väčšej sily na opierku na nohy môže viesť k poškodeniu poistných mechanizmov. V okamihu, keď dieťa samostatne nasadá alebo vysadá z kočíka nastavte opierku na nohy do najnižšej polohy.
- » Zabráňte tomu, aby dieťa stálo alebo si sadalo na opierku na nohy. Pôsobenie väčšej sily na opierku na nohy môže viesť k poškodeniu poistných mechanizmov. V okamihu, keď dieťa samostatne nasadá alebo vysadá z kočíka nastavte opierku na nohy do najnižšej polohy.
- » Zabráňte tomu, aby dieťa stálo na sedadle, nakoľko to môže viesť k strate stability a k prevráteniu kočíka.
- » Pri zastavení kočíka používajte brzdu. Použitie brzd spočíva v spustení brzdovej páky a skontrolovaní.
- » Dbajte na čistotu všetkých komponentov kočíka. Nečistoty zo súčastí konštrukcie je potrebné odstraňovať vlhkou hubkou a následne pretrieť očistené miesto suchou bavlnenou alebo flanelovou handričkou. Na čistenie nepožívajte žieraviny a ostré, tvrdé materiály, ktoré by mohli mať za následok zmeny komponentov kočíka (poškodenie farby, ryhy a pod.). Odporúča sa používať čistiace prípravky vhodné pre daný typ povrchu. V prípade akéhokoľvek znečistenia poťahu kočíka, je potrebné ho očistiť pomocou vlhkej handričky a jemného čistiaceho prostriedku. Vyhýbajte sa nadmernému premočeniu sedadla športového kočíka, matraca vaničky, dodatočnej vyhrevnej vložky (kočík s variabilnými funkciami), môže to viesť k deformácii výstužových prvkov týchto častí kočíka.
- » Pred úkon skladania a nasadzovania kolesa je potrebné zdvihnúť západku brzdy smerom hore (uvoľnenie brzdy). Odporúča sa dbať na čistotu osiek kočíka. V prípade kočíkov vybavených kolesami bez ložísk je potrebné mazať osky kočíka hustým mazivom (syntetický mazací tuk, strojný olej) pre zmiernenie trenia kolesových nábojov. Pri modeloch, ktorých kolesá majú namontované ložiská, sa odporúča zvlhčovať osky mazacím a konzervačným prostriedkom, napr. WD40. V prípade nafukovacích kolies je potrebné kontrolovať tlak v duši. Tlak v duši nesmie presahovať 0,6 bar alebo hodnotu uvedenú na obruči kolesa.
- » V prípade montáže autosedačky, ktorá si vyžaduje adaptér ku konštrukcii kočíka, sa smú používať jedine adaptéry uvedené výrobcom alebo také, ktoré získali jeho technickú aprobáciu. UPOZORNENIE - Predpoužitím kočíka skontrolujte správnosť

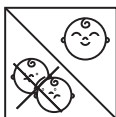
- upevnenia autosedačky k podvozku.
- » V prípade autosedačiek, ktoré sa používajú spolu s rámom kočíka, autosedačka nenahradzuje postieľku alebo posteľ. Ak Vaše dieťa potrebuje spánok, uložte ho do príslušnej vaničky kočíka, postieľky alebo posteľe.
 - » V prípade kočíkov určených pre deti od novorodeneckého veku sa odporúča používať ich prevažne v polohe ležmo.
 - » V prípade vaničiek kočíkov, vybavených bočnými nosnými rukoväťami, je potrebné dať pozor na to, aby sa nachádzali mimo vaničky počas jej používania.
 - » V prípade záručných a pozáručných opráv výrobcu odporúča použitie náhradné diely dodávané alebo odporúčané výrobcou alebo distribútorom, alebo servisom, ktorý vykonáva svoju činnosť v mene výrobcu alebo distribútora.
 - » Sedadlá športových kočíkov zo strieškou, ktorých čalúnenie je namontované na pružných oceľových pásoch, pod vplyvom tlaku sa môžu zdeformovať. To môže mať za následok vzdialenosť medzi lamelami a inými časťami kočíka a môže dôjsť k poškodeniu čalúnenia vplyvom trenia. V prípade deformácii musí byť bezodkladne vykonaný servis poškodených elementov.
 - » Sedadlá športových kočíkov zo strieškou, ktorých čalúnenie je namontované na pružných oceľových pásoch, pod vplyvom tlaku sa môžu zdeformovať. To môže mať za následok vzdialenosť medzi lamelami a inými časťami kočíka a môže dôjsť k poškodeniu čalúnenia vplyvom trenia. V prípade deformácii musí byť bezodkladne vykonaný servis poškodených elementov.
 - » Po rozbalení koštruktie skontrolujte správnu montáž predných a zadných kolies a následnom pokuse o stiahnutie / odpojiť koleso bez stlačenia tlačidla uvoľnenia zámku.
 - » Pred použitím si prečítajte tento návod a uschovajte si ho pre budúce použitie. Nedodržanie pokynov uvedených v tomto návode môže mať za následok ohrozenie bezpečnosti dieťaťa. Výrobca kočíka nenesie zodpovednosť za následky nedodržania upozornení, výstrah a rád uvedených v dokumentácii k výrobku.
 - » Po zakúpení kočíka a pred začatím jeho používania vykonajte údržbu súčastok, uvedených výrobcou v návode na použitie produktu v časti SERVIS (SERVICE). Ďalšie údržby opakujte podľa svojho uváženia v závislosti na miere opotrebenia jednotlivých súčastok.
 - » Nastavenie výšky vodiacej rukoväte kočíka. Pre zmenu výšky vodiacej rukoväte stlačte a pridržierte tlačidlá pre nastavenie na oboch stranách vodiacej rukoväte, nastavte želanú výšku a následne uvoľnite obidve tlačidlá. Ponastavení želané výšky pridržierte vodiacu rukoväť za jej hornú časť a niekoľkokrát ňou pohýbte hore a dolu za účelom kontroly správneho fungovania poistiek.
 - » V prípade kočíkov vybavených preklápacou vodiacou rukoväťou je nevyhnutné pri úkonoch spojených s jej preklápaním dávať osobitne pozor na to, aby ruky dieťaťa neprečnievali za vonkajší okraj sedadla. Po každej zmene vodiacej rukoväte kočíka je nevyhnutné skontrolovať zaistenie mechanizmu automatických západiek niekoľkonásobným trhnutím vodiacej rukoväte hore a dolu.
 - » Počas zmeny polohy operadla sedadla alebo vaničky je potrebné dávať pozor na ruky a hlavu dieťaťa.
 - » Nastavenie opierky na nohy. Konštrukcia kočíka je vybavená nastaviteľnou opierkou na nohy. Pre spustenie opierky smerom dole stlačte tlačidlá regulátorov opierky na

nohy na oboch stranách, nastavte opierku do želanej polohy, uvoľnite obidve tlačidlá. Opierka na nohy je vybavená automatickým zaistovacím mechanizmom, ktorý nevyžaduje uvoľnenie tlačidiel pri dvíhaní opierky smerom hore.

- » Zabráňte tomu, aby dieťa stálo alebo si sadalo na opierku na nohy. Pôsobenie väčšej sily na opierku na nohy môže viesť k poškodeniu poistných mechanizmov. V okamihu, keď dieťa samostatne nasadá alebo vysadá z kočíka nastavte opierku na nohy do najnižšej polohy.
- » Zabráňte tomu, aby dieťa stálo alebo si sadalo na opierku na nohy. Pôsobenie väčšej sily na opierku na nohy môže viesť k poškodeniu poistných mechanizmov. V okamihu, keď dieťa samostatne nasadá alebo vysadá z kočíka nastavte opierku na nohy do najnižšej polohy.
- » Zabráňte tomu, aby dieťa stálo na sedadle, nakoľko to môže viesť k strate stability a k prevráteniu kočíka.
- » Pri zastavení kočíka používajte brzdu. Použitie brzdy spočíva v spustení brzdovej páky a skontrolovaní.
- » Neumiestňujte detskú postieľku do blízkosti otvoreného ohňa alebo iného zdroja silného tepla. Rukoväte a spodok detskej postieľky by ste mali pravidelne kontrolovať, či nie sú poškodené a opotrebované. Ak je detská postieľka určená na použitie so stojanom, musí sa skontrolovať, či má stojan primeranú veľkosť, aby sa do nej vošla základňa detskej postieľky. Hlava dieťaťa v postieľke by nikdy nemala byť nižšia ako telo dieťaťa.
- » Buďte ostražití ohľadne nebezpečí zranění dítěte např. při pokládání na zem, při průchodu dveřmi.
- » Neponechávejte v kočárku nic, co by mohlo představovat nebezpečí udušení, např. nepružné hračky, polštáře...
- » Nedejte kočárek blízko jiného produktu, co by mohlo představovat nebezpečí udušení, např. provázky, šňůry od žaluzií/závěsů...
- » Mějte na paměti, že přehřátí může ohrozit život vašeho dítěte! Vezměte v úvahu okolní teplotu a oblečení dítěte a ujistěte se, že není ani příliš zima, ani příliš horko.
- » Nezapomeňte se poradit s odborníkem na zdraví ohledně bezpečného spánku.
- » Nikdy nezdvíhajte ani nespúšťajte prenosnú vaničku alebo sedáciu jednotku s dieťaťom vo vnútri.

ПРЕДОСТЕРЕЖЕНИЕ!

- » Перед использованием коляски убедитесь в том, что все механизмы фиксации работают правильно.
- » Во избежание травмирования ребёнка, во время складывания или складывания коляски, не оставляйте его без присмотра.
- » Всегда блокируйте колеса, когда хотите положить или достать ребёнка из коляски. Любая нагрузка подвешенная к ручке и/или задней части спинки и/или боковым стенкам коляски может нарушить ее устойчивость.
- » Коляска может быть эксплуатирована только в такой период и количество детей, на которые.
- » Всегда используйте ремни безопасности.
- » Не позволяйте другим детям играть без присмотра рядом с люлькой.
- » Не используйте люльку, если какая-либо часть люльки сломана, порвана или отсутствует.
- » Никогда не используйте этот продукт на подставке.
- » Максимальный вес и возраст ребенка, для которого предназначена коляска: 22 кг или 4 года, в зависимости от того, что наступит раньше
- » она запроектирована. Перед тем, как положить ребенка в коляску, убедитесь, что во внутренней ей части не находятся маленькие предметы, которые могут стать причиной удушья.
- » Запрещается использовать корпус детской коляски, если ребенок может самостоятельно сидеть, переворачиваться и толкаться на четвереньках. Максимальный вес ребенка: 9 кг.
- » Перед началом эксплуатации коляски,
- » К раме коляски можно прикрепить люльку или сиденье или автокресло. обязательно проверьте надежность крепления люльки, прогулочного блока или автомобильного кресла на конструкции.
- » Разъём двухточечной системы фиксации люльки, автокресла или сидения прогулочного блока. Механизм фиксации автоматически срабатывает после установки на них люльки, сидения прогулочного блока или адаптеров автокресла.
- » Не разрешайте ребёнку играть с элементами коляски. С коляской нельзя бегать или кататься на роликах.
- » Этот продукт подходит только для ребенка, который не может сидеть без посторонней помощи.
- » Используйте только на твердой, горизонтальной, ровной и сухой поверхности.



RU ПРЕДОСТЕРЕЖЕНИЕ!

- » Кнопка отключения системы фиксации. Для освобождения люльки, адаптеров автокресла или сидения прогулочного блока, для их поднятия вверх, необходимо нажать кнопку в левом и правом блоках системы. В случае незавершённого процесса освобождения, перед последующим использованием изделия, убедитесь, что система фиксации работает правильно путём поднятия вверх освобождаемого элемента.
- » Перед использованием внимательно прочитайте данную инструкцию и сохраните ее на будущее. Безопасность Вашего малыша может оказаться под угрозой, если условия данной инструкции не будут выполняться. В случае не выполнения данных условий, примечаний и советов, перечисленных в документации на изделие, производитель коляски не несет ответственности за возможные последствия.
- » После покупки, перед началом эксплуатации коляски, необходимо провести консервацию деталей, указанных производителем в инструкции по эксплуатации коляски, в разделе –ОБСЛУЖИВАНИЕ (SERVICE). Следующие обслуживания должны быть проводимые по Вашему усмотрению, по необходимости.
- » Регулировка высоты ручки коляски. Чтобы изменить высоту ручки коляски, необходимо нажать и придержать кнопки регулировки по обеим сторонам ручки, установить ручку на необходимую высоту, а затем отпустить обе кнопки. Установив ручку на нужную высоту и придерживая ее за верхнюю часть, следует несколько раз подвигать ею вверх и вниз, чтобы убедиться, что блокировки сработали правильно.
- » Для колясок оборудованных перекидной ручкой, при перекладывании ручки на другую сторону, необходимо обратить особое внимание на безопасность рук малыша, чтобы они не выступали за контуры сиденья. Каждый раз после изменения положения ручки коляски следует убедиться в надежности фиксации самозащелкивающихся механизмов, для этого несколько раз аккуратно подергайте ручку вверх и вниз.
- » При изменении положения спинки сиденья или люльки следует обратить внимание на безопасность ручек и головки ребенка.
- » Регулировка подножки. Конструкция коляски оснащена регулируемой подножкой. Чтобы опустить подножку вниз, следует нажать кнопки регуляторов подножки с обеих сторон, установить подножку в выбранное положение и отпустить обе кнопки. Подножка имеет механизм автофиксации, благодаря которому не требуется отпускать кнопки в случае поднятия подножки вверх.
- » Новорождённых, перевозим в глубоких люльках в лежачем положении.
- » Не допускайте, чтобы ребенок вставал или садился на подножку сиденья. Большая нагрузка на подножку может привести к повреждению блокировочных механизмов. В тот момент, когда ребенок самостоятельно усаживается и встаёт из коляски, подножку следует установить в самое нижнее положение.
- » Регулировка спинки сиденья в прогулочном блоке. Сиденье коляски имеет регулируемую спинку. Чтобы опустить спинку в полулежачее или лежачее положение, следует потянуть вверх держатель, расположенный сзади спинки, установить ее в нужное положение и отпустить держатель. Спинка имеет пружинный механизм автофиксации, благодаря которому не обязательно поднимать держатель в случае, когда спинку нужно поднять из лежачего в сидячее положение. Каждый раз, после изменения

положения спинки сиденья проверьте правильность работы системы крепления, а также проверить и отрегулировать настройку ремней безопасности для нового положения ребенка.

- » Не допускайте, чтобы ребенок вставал на сиденье - это может привести к утере устойчивости коляски и ее переворачиванию. Для того, чтобы повысить стабильность изделия во время его использования необходимо обращать внимание на то, чтобы ребенок находился в центральной части люльки или сидения прогулочного блока в удобном для него положении.
- » Не следует переносить коляску, держа ее при этом за капюшон, верхний край спинки, подножку, элемент, придающий коляске форму люльки. Не следует съезжать и заезжать коляской по ступенькам, а также оставлять коляску с ребенком на наклонной плоскости (даже если коляска установлена на тормоз), поскольку она может покатиться. Заносить или сносить коляску по ступенькам, вносить коляску в автобус и т.п. нужно при помощи другого человека. Человек, удерживающий коляску за ручку, преодолевает препятствие первым, придерживая коляску за ручку; второй человек сзади коляски придерживает ее за стационарные элементы, например, за конструкцию. При спускании коляски по лестнице или с других препятствия, помогающий человек спускается первым.
- » Во время продолжительной остановки коляску следует установить на тормоз. Чтобы привести тормоз в действие, необходимо опустить рычажок тормоза и проверить эффективность торможения. Перед тем, как начать движение коляской после продолжительной остановки, необходимо проверить, не заблокированы ли колеса коляски; движение коляски с заблокированными колесами может привести к повреждению блокирующих элементов.
- » Нагрузка корзины, закрепленной на каркасе детской коляски, не должна превышать 3 кг. Доступная нагрузка сумки, подвешенной на ручке коляски, составляет 1 кг. Карманы детской коляски предназначены только для декоративных целей, никакие предметы общим весом более 0,15 кг не должны помещаться в каждый карман или весом 0,35 кг во все карманы.
- » При преодолении преград в виде различных порогов (например, высокий порог), следует подъехать к нему одновременно двумя колесами (одной оси) в момент преодоления преграды, нажать ручку коляски вниз, для разгрузки передних колёс. В случае с еще более высокими препятствиями (например, подъезд под бордюр тротуара) следует нажать на ручку коляски вниз для поднятия передних колёс над препятствием, затем подъехать к препятствию задними колесами, опустить на землю передние, перенести задние колеса через препятствие, приподняв слегка задние колёса вверх. Сильный удар о препятствие может повредить (деформировать) соединительные элементы конструкции или повредить другие детали, из-за чего может пострадать функция устойчивого движения по прямой.
- » Необходимо заботиться о чистоте отдельных деталей коляски. Загрязнения с отдельных деталей конструкции следует удалять влажной губкой, а затем протирать их сухой хлопчатобумажной или фланелевой тряпочкой. Не следует использовать для очищения едкие вещества, а также острые и твердые предметы, которые могут привести к деформации элементов коляски (обесцвечивание, царапины и т.п.). Рекомендуется применять чистящие средства, соответствующие очищаемой поверхности. В случае загрязнения обивки коляски, следует её очищать при помощи влажной губки с добавлением мягких моющих средств. Следует избегать чрезмерного намочания сиденья прогулочного блока, днища люльки, днища дополнительного утеплителя (коляска со сменной функцией), поскольку это может привести к деформации элементов, упрочняющих эти части коляски.

- » Чтобы избежать возникновения подтёков или пятен, могущих образоваться после осадков, например, дождя, следует предохранить детскую коляску от намокания, прикрыв ее всю чехлом от дождя. Рекомендуется беречь коляску от длительного воздействия солнечных лучей. Изменение внешнего вида обивки вследствие несоблюдения данной рекомендации не будет расцениваться как обоснованная рекламация.
- » Не следует использовать дополнительное оснащение, не упомянутое производителем как стандартная комплектация. Производитель не несет ответственности за последствия использования посторонних предметов, не входящих в стандартную комплектацию коляски или не предназначенных для использования в данной модели.
- » После сложения рамы проверьте правильно ли работают механизмы блокировки, защищающие конструкцию от самопроизвольного раскладывания.
- » В случае с конструкцией коляски, оснащенной гнездами для установки автомобильного кресла, не допускается применение дополнительных соединительных деталей или использование кресел иных, не тех, что упомянуты производителем. Производитель не несет ответственности за последствия монтажа на раму автомобильных кресел не одобренных им. Список одобренных автокресел доступен на сайте производителя продукта.
- » В случае использования автолюльки в сочетании с рамой коляски, надо помнить, что автолюлька не может заменить кровати или кроватки. Если ваш ребенок хочет спать, положите его в глубокую люльку, детскую кроватку или кровать. Детская коляска служит средством передвижения, продукт не качать. Передвигая коляску вперед-назад на коротком расстоянии, для изделий с механизмом поворотных передних колес, заблокируйте их. Технологические люфты элементов поворотного механизма могут приводить к изменению направления движения, что не является дефектом изделия.
- » Производитель рекомендует устанавливать автолюльку в направлении противоположном к движению коляски, чтобы легче наблюдать за ребёнком находящимся в автолюльке.
- » В случае использования люльки с боковыми ручками для переноски, следует обратить внимание, чтобы они остались вне люльки, когда лежит в ней ребёнок. Люльки оборудованы центральной верхней ручкой для переноски, перед снятием люльки убедитесь, что ручка установлена перпендикулярно к рамке люльки, а замок в его основании зафиксирован и работает исправно.
- » Для проведения гарантийного и послегарантийного ремонта, производитель рекомендует использовать только такими запасными частями, которые поставяет или рекомендует производитель либо дистрибьютор, или сервис действующий от имени производителя или дистрибьютора. Не используйте коляску, если был обнаружен дефект в изделии или любой из его компонентов был поврежден.
- » Сидение прогулочного блока коляски оснащено капюшоном, их обивка крепится на гибких стальных полосах, которые при нажатии могут деформироваться. Это может привести к уменьшению расстояния между планками и другими элементами коляски и привести к повреждению обивки в виде потертостей. В случае деформации стальные полосы необходимо откорректировать, осторожно их сжимая или растягивая.
- » Для продуктов оснащенных сидением прогулочного блока с возможностью менять направление движения, не допускается (запрещается) изменять его положение с ребенком.
- » После разложения рамы коляски, проверьте правильность установки

передних и задних колес, проверьте, пытайтесь снять / достать колесо без нажатия кнопки фиксатора.

- » При складывании и раскладывании рамы, а также при установке отдельных элементов (например, сидения прогулочного блока, люльки, автокресла), во избежание травмирования, держите руки на безопасном расстоянии от подвижных и запорных частей.
- » Использование тормоза. Нажмите педаль, чтобы включить блокировку тормоза. Нажмите и отпустите педаль, чтобы отпустить блокировку тормоза. **ВНИМАНИЕ:** никогда не оставляйте коляску без проверки правильности блокировки тормоза.
- » D-образные пряжки предназначены для установки дополнительной упряжи. Они помещаются на существующую упряжь, вблизи места ее крепления к сиденью. Пряжки предназначены для установки отдельной упряжи, когда это необходимо. Дополнительные упряжи можно приобрести непосредственно у дистрибьютора.
- » Не ставьте люльку-переноску рядом с открытым огнем или другим источником сильного тепла. Ручки и дно люльки-переноски следует регулярно проверять на предмет повреждений и износа. Если люлька-переноска предназначена для использования с подставкой, то необходимо проверить, чтобы подставка соответствовала размеру основания люльки-переноски. Голова ребенка в люльке никогда не должна быть ниже тела ребенка.
- » Будьте осторожны с опасностью удара ребенка, например, при укладывании на пол, проходе через двери;
- » Не оставляйте в люльке что-либо, что может представлять опасность удушья, например, мягкие игрушки, подушки...
- » Не размещайте люльку близко к другим предметам, которые могут представлять опасность удушья, например, веревки, шнуры от жалюзи/штор...
- » Помните, что перегрев может угрожать жизни вашего ребенка! Учитывайте температуру окружающей среды и одежду ребенка, и убедитесь, что ему не слишком холодно или жарко;
- » Пожалуйста, помните обратиться за советом к здравоохранительному специалисту относительно безопасного сна.
- » Никогда не поднимайте и не опускайте люльку или сиденье, когда внутри находится ребенок.

UPOZORNĚNÍ!

- » Nikdy nenechávejte dítě bez dozoru.
- » Před použitím si ověřte, že jsou všechny zajišťovací prvky zapnuty.
- » Při skládání nebo rozkládání nesmí být dítě v kočárku.
- » Při skládání a rozkládání tohoto výrobku, zajistěte, aby dítě nebylo v kočárku ani poblíž a nemohlo dojít k poranění dítěte. Tento výrobek není hračka.
- » Nedovolte dítěti, aby si s tímto výrobkem hrálo. Tento výrobek není vhodný pro běhání nebo jízdu na bruslích.
- » Při vkládání dítěte do kočárku vždy použijte brzdu, stejně tak když dítě z kočárku vyndáváte.
- » Jakákoliv zátěž upevněná na rukojeti/zadní straně sedačky nebo na obou stranách kočárku ovlivňuje jeho stabilitu.
- » Kočárek je vhodný pouze pro specifikovaný počet dětí a může být použit pouze pro uvedené věkové skupiny.
- » Nedovolte ostatním dětem hrát si bez dozoru v blízkosti dětské postýlky.
- » Nepoužívejte, pokud je některá část nosítka rozbitá, roztržená nebo chybí.
- » Nikdy nepoužívejte tento výrobek na stojanu.
- » Maximální hmotnost a věk dítěte, pro kterého je určen kočárek: 22 kg nebo 4 roky, podle toho, co nastane dříve.
- » Než dáte dítě do sedačkového lůžka/sedačky pro kočárek/ autosedačky, tak zkontrolujte, že nejsou v okolí žádné malé objekty, které by mohly vést k udušení.
- » Používejte postroj, jakmile se dítě umí bez pomoci posadit.
- » Nepřidávejte matrace silnější než 25 mm.
- » Tento výrobek je vhodný pro děti, které nemohou sedět bez pomoci, otáčet a lézt po ruku a kolenou s maximální hmotností 9 kg.
- » Před použitím zkontrolujte, zda jsou připevňovací zařízení lůžka nebo sedačky nebo autosedačky správně zaklesnuta.
- » Na konstrukci kočárku můžete připevnit korbu, sedátko nebo autosedačku. Podvozek Venicci Upline 2 je plně kompatibilní s: Venicci Upline 2 Jednotka sedadla, Venicci Upline 2 Carrycot.
- » Vždy používejte zádržný systém.
- » Dvoubodový uzamykací systém pro postýlku, sedačku a autosedačku. Uzamykatelný mechanismus je spuštěn automaticky, když je umístěna v místech postýlky, sedačky nebo autosedačky.
- » Tento výrobek je vhodný pouze pro dítě, které nemůže sedět bez pomoci.
- » Používejte pouze na pevný, vodorovný, rovný a suchý povrch.



CZ UPOZORNĚNÍ!

- » Tlačítko pro deaktivaci uzamykacího systému. Chcete přepravní postýlku, sedačku nebo autosedačku, takže před zvednutím klikněte na levé a pravé straně vytvořte tlačítko. Ujistěte se, že uzamykací systém funguje.
- » Před použitím si pozorně přečtěte následující příručku a uschovejte ji. Bezpečnost dítěte může být ohrožena, pokud nedodržíte doporučení obsažená v této příručce. Výrobce kočárku není zodpovědný za důsledky neplnění pokynů, upozornění a doporučení obsažených v dokumentaci k produktu.
- » Po zakoupení si před použitím kočárku nechte všechny součásti uvedené výrobcem v ručním servisním oddělení (SLUŽBA). Toto vozidlo vyžaduje od uživatele pravidelnou údržbu. Je zodpovědností uživatele provádět rutinní prohlídky a údržbu vozidla, aby se zabránilo poškození vozidla a/nebo zranění dítěte.
- » Nastavení výšky rukojeti. Chcete-li změnit výšku rukojeti, stiskněte a podržte tlačítka na obou stranách rukojeti, vyberte požadovanou výšku a obě tlačítka uvolněte. Po nastavení výšky rukojeti ji držte v horní části a posuňte s ní dvakrát nahoru a dolů, abyste se ujistili, že zámky správně fungují.
- » U kočárků vybavených přenosnými rukojetmi se ujistěte, že při změně polohy rukojeti nejsou ruce dítěte mimo vnitřní obvod sedadla. Po každé změně polohy rukojeti zkontrolujte funkčnost samočinného uzamykacího mechanismu tím, že několikrát zatáhnete rukojetí nahoru a dolů.
- » Při změně polohy opěradla nebo kolébky věnujte pozornost rukám a hlavě dítěte.
- » Nastavení opěrky nohou. Kočárek je vybaven nastavitelnou opěrkou nohou. Chcete-li snížit opěrku nohou, stiskněte tlačítka na obou stranách opěrky, nastavte její polohu a tlačítka uvolněte. Opěrka nohou je vybavena systémem automatického zámku, který nevyžaduje uvolnění tlačítek při zvedání opěrky nohou.
- » Nedovolte, aby dítě stálo nebo sedělo na opěrce nohou. Větší zatížení na opěrku nohou může způsobit poškození zajišťovacích mechanismů. Když dítě dokáže vylézt a vlézt z kočárku samostatně, umístěte opěrku do nižší polohy.
- » Nastavení opěradla v kočárku. Sedadlo kočárku je vybaveno nastavitelnou opěrkou. Chcete-li opěradlo snížit do poloviční polohy nebo do polohy ležení, vytáhněte rukojeť v zadní části opěradlasměrem nahoru, vyberte požadovanou polohu a rukojeť uvolněte. Opěradlo je vybaveno pružinovým mechanismem automatického zámku, který nevyžaduje, aby se rukojeť při zvedání opěradla z polohy ležení na polohu sezení zvedala. Pokaždé, když změníte polohu opěradla, zkontrolujte, zda upevňovací systém funguje správně a přizpůsobte nastavení úvazku tak, aby odpovídal nové pozici vašeho dítěte.
- » Nedovolte, aby dítě sedělo na sedadle, protože může narušit stabilitu kočárku a způsobit jeho pád. Abyste během používání zvýšili stabilitu výrobku, ujistěte se, že dítě je umístěno uprostřed postýlky nebo sedadla. Nenoste kočár držením sklápěcí střechy, horního okraje opěradla, opěrky nohou nebo prvku, který vytváří kočárkovou verzi. Nepoužívejte kočárek na schodech nebo nenechávejte kočár s dítětem na nerovných plochách (i když je spuštěna brzda), protože může dojít k jeho rozjetí. Přenášení kočárku nahoru nebo dolů, umístění kočárku do autobusu atd. by mělo být prováděno s pomocí jiné osoby. Osoba, která drží rukojeť, přechází překážkou jako první a osoba, která drží druhý konec kočárku, by měla držet kočárek za jeho stabilní část, jako je např. pevný sloupek rámu. Při přepravě kočárku ze schodů jde první osoba, která pomáhá.
- » Když se kočárek nepoužívá, musí být vždy použita brzda. Použití brzd vyžaduje snížení úrovně brzd a kontrolu účinnosti brzd. Před rozjetím kočárku se ujistěte, že

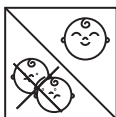
kolečka nejsou zablokována. Jízda s kočárkem s uzamčenými koly by mohla způsobit poškození pojistných prvků.

- » Při překonávání překážek různé výšky (např. vysoký práh dveří) dejte obě kolečka blíže k sobě (stejně nápravy) a současně přitlačte rukojeť dolů při přejíždění překážky předními koly. Při překonávání vyšších překážek (např. obrubník chodníku) umístěte přední kola kočárku mírně nad úroveň překážky a současně přitlačte rukojeť dolů, posuňte zadní kola blíže k překážce, snižte přední kola a přesuňte zadní kola přes překážku zvednutím kočárku. Jakákoli srážka s tvrdými předměty nebo povrchy může poškodit(deformovat) prvky, které spojují rám nebo poškodit prvky rámu, což může způsobit nedostatečné vyrovnaní.
- » Zatížení koše připevněného k rámu kočárku by nemělo přesáhnout 3 kg, Přístupné zatížení tašky zavěšené na rukojeti kočárku je 1 kg. Kapsy kočárku jsou pouze pro dekorativní účely, do každé kapsy by neměly být umístěny žádné předměty o celkové hmotnosti přesahující 0,15 kg nebo o hmotnosti 0,35 kg pro všechny kapsy.
- » Udržujte prvky kočárku čisté. Nečistoty na rámu by měly být odstraněny vlhkou houbou a otřeny suchých bavlněným hadříkem. Na čištění nepoužívejte žíravé, ostré nebo tvrdé prostředky na mytí, protože by mohly být škodlivé pro prvky kočárku (změna barvy, poškrábání atd.). Doporučuje se používat čisticí prostředky vhodné pro konkrétní povrch. Nečistotu na krytu kočárku odstraňte použitím vlhké houby s přidáním jemného čisticího prostředku. Vyhněte se tomu, aby byla sedačka, spodek přenosné postýlky a spodek dodatečného spacího pytle (kočárek s měnitelnou funkcí) příliš vlhké, protože to může způsobit deformaci prstencových prvků.
- » Před montáží a demontáží kol zdvihněte uzamykací mechanismus brzdy nahoru (odblokovaná brzda). Doporučujeme, aby se nápravy kočárku udržovaly v čistotě. Pokud je kočárek vybaven koly bez ložisek, je nutno, aby náprava byla mazána prostředkem s vysokou hustotou (vápenné mazání, strojním olejem), aby se snížilo tření na koncích trubek. U modelů vybavených koly s ložisky se doporučuje mazání náprav pomocí mazacího prostředku, např. WD40. U nafukovacích kol doporučujeme, aby byl tlak udržován na konstantní úrovni nepřesahující 0,6 baru nebo na hodnotě uvedené na rámu kola.
- » Abyste zabránili flekům a mokrým místům, která se mohou po dešti objevit, ochraňte kočárek před deštěm použitím pláštěnky na celý kočárek. Doporučuje se chránit kočár proti účinkům silného slunečního záření. Výrobce nepřijme odpovědnost za poškození krytu kočárku, které nastalo důsledkem nedodržení těchto doporučení.
- » Neumísťujte dětskou postýlku do blízkosti otevřeného ohně nebo jiného zdroje silného tepla. Madla a spodní část postýlky by měly být pravidelně kontrolovány, zda nevykazují známky poškození a opotřebení. Pokud je dětská postýlka určena k použití se stojánkem, je třeba zkontrolovat, zda má stojan vhodnou velikost, aby se do ní vešla základna dětské postýlky. Hlava dítěte v postýlce by nikdy neměla být nižší než tělo dítěte.
- » Buďte si vědomi nebezpečí zasažení dítěte např. při kladení na zem, při průchodu dveřmi. Nechejte v kočárku nic, co by mohlo představovat nebezpečí udušení, např. nepružné hračky, polštáře...
- » Neumísťujte kočárek blízko jiného produktu, co by mohlo představovat nebezpečí udušení, např. provázky, šňůry od žaluzií/závěsů...
- » Prosím, pamatujte, že přehřátí může ohrozit život vašeho dítěte! Vezměte v úvahu okolní teplotu a oblečení dítěte a ujistěte se, že není ani příliš zima, ani příliš horko.
- » Prosím, pamatujte si poradit se zdravotním profesionálem ohledně bezpečného spánku.
- » Nikdy nezvedejte ani nespouštějte korbičku nebo sedátko s dítětem uvnitř.

RO AVERTISMENTE - CITIȚI CU ATENȚIE ȘI PĂSTRAȚI ACEST DOCUMENT PENTRU CONSULTARE ULTERIOARĂ.

AVERTISMENTE!

- » Nu lăsați niciodată copilul nesupravegheat.
- » Asigurați-vă că toate dispozitivele de blocare sunt închise înainte de a utiliza produsul.
- » Pentru a evita rănirea copilului, asigurați-vă că acesta este la distanță atunci când pliați și depliați acest produs.
- » Nu lăsați copilul să se joace cu acest produs.
- » Acest produs nu este recomandat a fi utilizat în timp ce alergați sau vă plimbați pe role.
- » Folosiți dispozitivele de parcare când copilul este introdus sau scos din cărucior.
- » Orice fel de greutate agățate de mâner și/ sau partea posterioară a șezutului și / sau pe lateralele căruciorului influențează stabilitatea acestuia.
- » Căruciorul poate fi utilizat pentru numărul de copii și cu vârsta pentru care a fost proiectat.
- » Acest produs este potrivit numai pentru un copil care nu poate sta fără ajutor.
- » A se utiliza numai pe o suprafață fermă, orizontală, plană și uscată.
- » Vârsta și greutatea maximă ale copilului, căruia îi este 1 estinate căruciorul: 22 kg sau 4 ani, oricare dintre variante apare mai întâi
- » Înainte de a pune copilul în cărucior verificați dacă în interiorul căruciorului nu se găsesc obiecte mici (jucării sau părți ale acestora), care ar putea să fie înghițite de copil, cauzând sufocarea sau asfixierea acestuia.
- » Utilizați centurile de siguranță de îndată ce copilul dvs. poate sta în șezut fără ajutor.
- » Nu adăugați o saltea.
- » Corpul căruciorului nu trebuie utilizat de îndată ce copilul este capabil să se așeze singur, să se rostogolească și să se poată împinge pe mâini și genunchi.
- » Greutatea maximă a copilului 9 kg.
- » Înainte de utilizare verificați dacă dispozitivele de fixare de la landou, scaunul căruciorului sau scaunul auto sunt cuplate în mod corespunzător.
- » Pe stelajul căruciorului pot fi montate: gondola, scăunașul sau scaunul pentru autovehicul. Scaunul Venicc Upline 2 este pe deplin compatibil cu: Unitatea de scaun Venicc Upline 2, Caricatură Venicc Upline 2 și scaunul auto din Veneția.
- » Utilizați întotdeauna sistemul de prindere.
- » Nu lăsați ceilalți copii să se joace nesupravegheați lângă pătuț.
- » A nu se utiliza în cazul în care o parte din pătuțul de transport este rupt, rupt sau lipsește.
- » Nu folosiți niciodată acest produs pe un suport.



RO AVERTISMENTE!

- » Sistem de închidere în două puncte pentru landou, unitatea de ședere și scaunul auto. Mecanismul de închidere este activat automat la plasarea în sloturile adaptoarelor londoului, unității de ședere sau scaunului auto.
- » Buton pentru dezactivarea sistemului de închidere. Pentru a deconecta landoul, unitatea de ședere sau scaunul auto, înainte de ridicare, apăsați butoanele din partea dreaptă și din partea stângă a cadrului. Înainte de reutilizarea produsului, asigurați-vă că sistemul de închidere funcționează corect prin ridicarea părții detașabile.
- » Înainte de utilizare citiți aceste instrucțiuni de utilizare și păstrați-le pentru consultare ulterioară. Siguranța copilului este periclitată dacă nu veți proceda în conformitate cu instrucțiunile prezentate aici. Producătorul căruciorului nu este responsabil pentru urmările lipsei aplicării atenționărilor, avertismentelor și a sfaturilor conținute în documentația produsului.
- » După cumpărare și înaintea începerii utilizării căruciorului trebuie să se conserve elementele indicate de către producător în instrucțiunile de utilizare la capitolul SERVICE. Conservările ulterioare trebuie repetate în funcție de propria evaluare, corespunzător gradului de uzură a elementelor componente.
- » Reglarea înălțimii mânerului căruciorului. Pentru a schimba înălțimea mânerului căruciorului trebuie să se apese și să se mențină apăstate butoanele de reglare din ambele părți ale mânerului, să se stabilească înălțimea necesară, iar apoi să se elibereze ambele butoane. După stabilirea înălțimii adecvate a mânerului, trebuie să îl țineți de partea superioară a acestuia și să îl mișcați de mai multe ori de sus în jos, pentru a verifica corectitudinea de funcționare a sistemului de blocare.
- » În cazul cărucioarelor dotate cu mâner rabatabil, în timpul efectuării acțiunii de rabatare a acestuia trebuie să se observe cu atenție amplasarea mâinilor copilului, pentru ca acestea să nu iasă în afara formei interioare a șezutului. După fiecare schimbare a amplasamentului mânerului rabatabil trebuie să se verifice eficacitatea blocării mecanismelor cu auto-închidere, prin tragerea și împingerea de câteva ori a mânerului – în sus și în jos.
- » În timpul schimbării amplasamentului spătarului sau a bazei landoului trebuie să se observe cu atenție poziția capului și a mâinilor copilului.
- » Reglarea suportului pentru picioare. Construcția căruciorului este dotată cu un suport pentru picioare reglabil. Pentru a lăsa jos suportul pentru picioare trebuie să se apese din ambele părți butoanele de reglare a suportului pentru picioare, să se stabilească suportul pentru picioare în poziția necesară și să se elibereze ambele butoane. Suportul pentru picioare este dotat cu un mecanism de auto-blocare, care nu necesită eliberarea butoanelor în cazul în care suportul pentru picioare se ridică în sus.
- » Producătorul recomandă fixarea scăunelui în sens opus mersului, ceea ce facilitează observarea copilului din scăunel.
- » În cazul obstacolelor mai dificile (de exemplu trotuare înalte) trebuie să se urce pe acestea cu ambele roți (ale aceleiași osii) în același timp, apăsând în același timp mânerul căruciorului în jos în momentul când roțile din față sunt împinse peste obstacol. În cazul traversării unor obstacole mai înalte (de exemplu urcarea pe un trotuar) trebuie să se ridice roțile frontale ale căruciorului delicat peste nivelul obstacolului, apăsând în același timp mânerul căruciorului în jos și tragerea acestuia către dumneavoastră, apoi apropierea cu roțile din spate de obstacol, lăsarea jos a roților frontale și trecerea cu roțile din spate peste obstacol, ridicând în sus căruciorul. Un impact mai puternic într-un obstacol transversal poate duce

la avarierea (deformarea) elementelor de îmbinare a construcției sau la deformarea anumitor elemente ale acesteia, pierzându-se astfel geometria liniară a căruciorului.

- » Sarcina coșului fixat de cadrul căruciorului nu trebuie să depășească 3 kg, Sarcina accesibilă a pungii agățate de mânerul căruciorului este de 1 kg. Buzunarele căruciorului au doar scop decorativ, nu trebuie așezate obiecte cu greutate totală mai mare de 0,15 kg în fiecare buzunar sau greutate de 0,35 kg pentru toate buzunarele.
- » Elementele căruciorului trebuie să fie menținute în curățenie. Murdărirea de pe elementele de construcție se curăță cu ajutorul unui burete umezit, iar apoi locul se șterge cu o cârpă din bumbac sau alt material moale. La curățare nu folosiți produse acide sau abrazive, materiale dure, care ar putea schimba elementele căruciorului (decolorări, zgârieri, ș.a.m.d.). Se recomandă utilizarea de preparate de curățare adecvate pentru suprafața utilizată. În cazul oricărui murdăriri ale tapițeriei căruciorului, acestea se curăță cu ajutorul unui burete umed cu adaos de preparate de curățare delicate. Trebuie să se evite umezirea în exces a șezutului căruciorului, a partii interioare a landoului, a șezutului și partii interioare a landoului textil (pentru căruciorul multifuncțional) – aceasta poate duce la deformarea elementelor de rigidizare a acestor părți ale căruciorului.
- » Pentru a evita apariția scurgerilor sau a petelor care pot apărea ca urmare a precipitațiilor – de exemplu după ploaie – trebuie să se asigure căruciorul împotriva excesului de umiditate, folosind o prelată care acoperă întreg căruciorul. Se recomandă protejarea căruciorului împotriva efectului îndelungat al razelor solare. Schimbarea aspectului tapițeriei, ca urmare a neaplicării recomandărilor producătorului nu va fi considerată ca reclamație întemeiată.
- » La plierea și deplierea cadrului și în timpul etapei de asamblare, păstrați mâinile la o distanță sigură de componentele mobile pentru a evita accidentările. Inelele D sunt prevăzute pentru atașarea unui ham suplimentar. Acestea se află pe cablajul existent în apropierea locului unde este atașat la cadrul scaunului. Inelele "D" sunt prevăzute pentru montarea unui cablu separat, dacă este necesar. Cablurile de înlocuire pot fi achiziționate direct de la distribuitorul.
- » Producătorul recomandă fixarea scăunașului în sens opus mersului, ceea ce facilitează observarea copilului din scăunaș.
- » Reglarea suportului pentru piciorușe. Construcția căruciorului este dotată cu un suport pentru piciorușe reglabil. Pentru a lăsa jos suportul pentru piciorușe trebuie să se apese din ambele părți butoanele de reglare a suportului pentru piciorușe, să se stabilească suportul pentru piciorușe în poziția necesară și să se elibereze ambele butoane. Suportul pentru piciorușe este dotat cu un mecanism de auto-blocare, care nu necesită eliberarea butoanelor în cazul în care suportul pentru piciorușe se ridică în sus.
- » Nu trebuie să se permită copilului să stea sau să se așeze pe suportul pentru piciorușe al șezutului. Forțarea suportului pentru piciorușe poate duce la avarierea mecanismelor de blocare a acestuia. În momentele în care copilul se urcă sau coboară de unul singur din cărucior, suportul pentru piciorușe trebuie amplasat în poziția minimă.
- » Ajustarea spătarului în versiunea de cărucior. Scaunul căruciorului este echipat cu un spătar ajustabil. Pentru a coborî spătarul într-o poziție de semi-așezare sau culcată, trageți în sus mânerul din partea din spate a spătarului, selectați poziția necesară și dați drumul mânerului. Spătarul este echipat cu un mecanism de auto-blocare pe bază de arcuri care nu necesită ridicarea mânerului la ridicarea spătarului din poziția culcată în poziție de ședere. De fiecare dată când schimbați poziția spătarului, verificați dacă sistemul de fixare funcționează corect și ajustați corespunzător setările

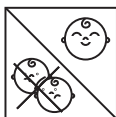
- hamului pentru a corespunde noii poziții de așezare a copilului.
- » Nu permiteți copilului să stea în picioare pe scaun, deoarece aceasta poate destabiliza căruciorului și cauza căderea acestuia. Pentru a crește stabilitatea produsului în timpul utilizării, asigurați-vă că bebelușul este poziționat în partea centrală a landoului sau a unității de ședere.
 - » Nu trebuie să se transporte căruciorul de copertina, partea superioară a șezutului, suportul pentru picioare sau elementul care conferă căruciorului forma de cărucior adânc. Nu este permisă urcarea și coborârea cu căruciorul pe scări și lăsarea căruciorului cu copilul în interior pe planuri înclinate (chiar și cu frâna trasă) deoarece acesta poate să alunece. Operațiunile de urcare sau coborâre a căruciorului pe scări, de intrare cu căruciorul în autobuz ș.a.m.d. trebuie întotdeauna executate cu asigurarea unei alte persoane. Persoana care ține mânerul căruciorului trebuie să treacă prima de obstacol, ținând de mâner, persoana ajutătoare ține căruciorul din cealaltă parte, de un element stabil al acestuia, de exemplu de cadrul caruciorului. În cazul în care căruciorul este coborât pe scări, sau dacă acesta este coborât de pe alte obstacole, persoana ajutătoare (asiguratoare) trebuie să coboare prima
 - » În timpul opririi căruciorului trebuie să se tragă frâna de mână. Folosirea frânei constă în lăsarea manetei acesteia și verificarea eficienței de frânare. Înainte de pornirea cu căruciorul de pe locul de oprire trebuie să vă asigurați de faptul că roțile nu sunt blocate, deoarece pornirea cu căruciorul cu roțile blocate poate duce la avariarea elementelor de blocare.
 - » Operațiunile de demontare și montare a roților trebuie să fie efectuate după ridicarea blocadei frânei (frână deblocată). Se recomandă îngrijirea osiilor căruciorului. În cazul cărucioarelor dotate cu roți fără rulmenți, osiile se lubrifiază cu un lubrifianț dens (towot, ulei de mașină) pentru a micșora forțele de frecare ale butucului. În modelele cu rulmenții montați se recomandă utilizarea unui lubrifianț de ungere și conservare, de exemplu: WD40. În cazul roților gonflabile trebuie să se verifice regulat presiunea din cauciucuri. Presiunea din cauciuc nu trebuie să depășească 0,6 at sau valoarea indicată pe janta roții.
 - » Nu trebuie să se folosească nici un fel de dotări adiționale nespicate de producător în dotarea standard. Producătorul nu este responsabil pentru urmările utilizării unor obiecte care nu constituie standardul de bază al căruciorului sau care nu au fost destinate a fi utilizate împreună cu modelul indicat.
 - » Pentru cadrele echipate cu găuri de motaj pentru scaunul de mașină – nu se recomandă utilizarea conecatoarelor care nu au fost aprobate de producător sau distribuitor. Producătorul nu este responsabil pentru consecințele instalării altor scaune de mașină pe cadre care nu dispun de aprobare. Lista scaunelor de mașină care dispun de aprobare adecvată sunt afișate pe website-ul producătorului.
 - » În cazul în care se montează un scaun de mașină pe construcția unui cărucior care necesită utilizarea unui adaptor, atunci este permisă utilizarea numai a adaptoarelor indicate de către producător, sau a celor care au aprobarea tehnică a producătorului. **ATENȚIE!** Înainte de începerea folosirii căruciorului verificați corectitudinea instalării scaunului de mașină pe baza căruciorului.
 - » Nu utilizați combinația de cadru și scaun de mașină pentru pentru somnul copilului pe perioade îndelungate de timp. În cazul în care copilul dorește să doarmă, folosiți întotdeauna landoul sau pătuțul. Căruciorul este utilizat ca mijloc de transport, nu se recomandă balansarea produsului. La mișcarea căruciorului înainte și înapoi pe distanțe scurte, se recomandă blocarea roților frontale într-o poziție fixă. Slăbirea tehnologică a mecanismului pe bază de arcuri poate cauza schimbarea direcției căruciorului, acesta nu este un produs defect.

- » În cazul cărucioarelor pentru sugari se recomandă în principiu poziția culcată.
- » Pentru landourile portabile echipate cu curele de fixare, asigurați-vă întotdeauna că acestea sunt poziționate în afara landoului atunci când sunt în uz. Landouri echipate cu mâner de transport - înainte de ridicare, asigurați-vă că mânerul este setat perpendicular pe landou, iar sistemul de blocare este activ și funcționează corespunzător.
- » Pentru orice reparații în garanție sau post-garanție, utilizați doar părțile furnizate sau recomandate de producătorii sau distribuitorii autorizați. Căruciorul nu trebuie utilizat dacă se observă existența oricărui tip de defect sau oricare dintre elementele acestuia prezintă defecte.
- » În cazul sistemelor de călătorie echipate cu unitate de ședere reversibilă, nu este permisă schimbarea poziției unității în timp ce copilul este așezat în interior.
- » La proiectarea capotei unității de ședere au fost utilizate benzi de metal, care, sub influența presiunii, pot suferi deformări. Aceasta poate rezulta în îngustarea spațiilor dintre barele metalice între și alte părți ale sistemului și poate duce la deteriorări precum ruperea materialului. În caz de deformare, este necesară să efectuați corectarea prin strângerea ușoară și întinderea barelor metalice interne.
- » După deplierea cadrului, verificați dacă mecanismul de siguranță (clema de siguranță), care asigură menținerea cadrului în poziția setată, funcționează/ este fixată corespunzător. În cazul în care clema de siguranță nu este fixată corepunzător, aceasta trebuie ajustată manual.
- » Utilizarea frânei de mână. Apăsăți în jos pedala pentru a activa frâna de mână Apăsăți în jos și eliberați pentru a dezactiva frâna de mână. AVERTISMENT: Nu lăsați niciodată autovehiculul fără a acționa complet frâna de mână
- » Nu așezați pătuțul de transport lângă foc deschis sau altă sursă de căldură puternică. Mânerul și partea inferioară a pătuțului de transport trebuie inspectate în mod regulat pentru a detecta semne de deteriorare și uzură. Dacă pătuțul de transport este destinat să fie utilizat cu un suport, atunci se va verifica dacă suportul are dimensiunea adecvată pentru a găzdui baza pătuțului de transport. Capul copilului din pătuțul de transport nu trebuie să fie niciodată mai jos decât corpul copilului.
- » Fii conștient de pericolul de a lovi bebelușul, de exemplu, când îl așezi pe podea, când treci prin uși;
- » Nu lăsa nimic în cărucior care ar putea prezenta pericol de sufocare, de exemplu, jucării necorporale, perne...
- » Nu plasa căruciorul aproape de alt produs, care ar putea prezenta pericol de strangulare, de exemplu, șireturi, șireturi de la jaluzele/perdele...
- » Te rog să-ți amintești că supraîncălzirea poate pune în pericol viața copilului tău! Ai în vedere temperatura ambiantă și îmbrăcămintea copilului și asigură-te că nu îi este prea frig sau prea cald;
- » Te rog să-ți amintești să ceri sfatul unui profesionist în domeniul sănătății cu privire la somnul în siguranță.
- » Nu ridicați sau coborâți niciodată pătuțul sau unitatea de scaun cu copilul înăuntru.

HU **FONTOS** - FIGYELMESEN OLVASSA EL ÉS ŐRIZZE MEG KÉSŐBBI FELHASZNÁLÁS ESETÉRE.

FIGYELMEZTETÉS!

- » Soha ne hagyja gyermekét felügyelet nélkül.
- » Ellenőrizze, hogy használat előtt minden rögzítő szerkezet be legyen kapcsolva.
- » A sérülések elkerülése végett, tartsa távol gyermekét a babakocsi összecukásakor és széthajtásakor.
- » Ne engedje gyermekét játszani a termékkel.
- » Ez a termék nem alkalmas futáshoz. A termék használata előtt ellenőrizze, hogy az összes reteszelő mechanika megfelelően működik.
- » A sérülések elkerülése érdekében a terméket a gyermekektől távol nyissa ki és csukja össze.
- » Ne engedje a gyermeket a termékkel játszani. A gyermek babakocsiba helyezésekor és kivételekor használja a parkolóberendezést.
- » A tolókarhoz és/ vagy a háttámla hátsó részéhez és/ vagy a babakocsi oldalaihoz rögzített terhek kihatnak a babakocsi stabilitására.
- » A babakocsiban szállítható gyermek maximális kora és súlya: 4 év vagy 22 kg (amelyiket hamarabb eléri).
- » A babakocsit csak a rendeltetés szerinti időszakban és rendeltetés szerinti számú gyermekkel lehet használni.
- » Mielőtt a gyermeket a babakocsiba helyezné, ellenőrizze, hogy a babakocsiban nincsenek rögzítetlen kis tárgyak, melyek lenyelés eseténa gyermek megfulladását okozhatnák.
- » Használj biztonsági övet, amikor gyermeke már önállóan tud ülni. Ne használjon matracot.
- » A babakocsi testét nem szabad használni, amint a gyermek képes egyedül ülni, felborulni és a kezén és a térdén nyomja magát. A gyermek maximális tömege: 9 kg.
- » Mindig használja a biztonsági felszerelést. Az ülés nem alkalmas 6 hónapnál fiatalabb gyermekek számára.
- » A gondola, ülés, vagy autósülés kétpontos rögzítési rendszerének aljzata. A reteszelő mechanizmus a gondola, ülés, vagy az adapterek aljzatába helyezésekor automatikusan bekapcsol.
- » A babakocsi vázára mózeskosár, gyermekülés vagy autósülés szerelhető fel.



HU FIGYELMEZTETÉS!

- » Nyomja meg a reteszelő rendszert kikapcsoló gombot. A gondola, az ülés vagy autósülés adapterek leszerelésekor, azok felemelése előtt nyomja meg a rendszer jobb és bal oldalán levő gombokat. A kicsatolás megszakításakor, a termék újbóli használata előtt a kicsatolandó elem felemelési próbájával ellenőrizze, hogy a reteszelő rendszer megfelelően működik.
- » A használat előtt olvassa el a jelen útmutatót és tegye el a későbbi használatra. A gyermek biztonsága veszélybe kerülhet, ha az alábbi útmutató ajánlásai nem kerülnek betartásra. A babakocsi gyártója nem vállal felelősséget a termék dokumentációjában szereplő megjegyzések, figyelmeztetések és tanácsok figyelmen kívül hagyásából eredő következményekért.
- » A vásárlás után, a babakocsi használatának megkezdése előtt, végezze el a gyártó által a használati útmutató SZERVIZ (SERVICE) fejezetben leírt részek karbantartását. A következő karbantartási munkákat saját belátása szerint, a kenőanyag elhasználódási fokának függvényében végezze el.
- » Babakocsi tolókar magasság szabályozás. A babakocsi tolókarja magasságának állításához nyomja be és tartsa benyomva a tolókar két oldalán levő gombokat, állítsa be a megfelelő magasságot, majd engedje fel a gombokat. A tolókar megfelelő magasságának beállítása után, a tolókart a felső részénél fogva, a megfelelő rögzítés ellenőrzésének érdekében, kétszer húzza fel és le.
- » Az átcsatolható tolókkal felszerelt babakocsik esetében az átcsatolással kapcsolatos munkák során különösen ügyeljen a gyermek kezeire, hogy azok ne álljanak ki az ülés szervenyén túlra. A tolorúd állásának valamennyi átállításánál a tolorúd néhányszori fel-le rángatásával ellenőrizze az önreteszelő mechanikák működését.
- » Az ülés vagy a gondola háttámlájának állításakor különösen ügyeljen a gyermek fejére és kezeire.
- » A babakocsi váza állítható lábtartóval került felszerelésre. A lábtartó leengedése érdekében nyomja be a lábtartó két oldalán található szabályozó gombokat, állítsa a lábtartót a megfelelő helyzetbe és engedje fel a két gombot. Amennyiben a lábtartó automatikus reteszelő mechanikával rendelkezik, akkor nincs szükség a gombok felengedésére a lábtartó felfelé emelésekor.
- » Ne engedje meg, hogy a gyermek az ülés lábtartójára üljön, vagy azon álljon. A lábtartóra kifejtett nagyobb erő a reteszelő mechanika megrongálódásához vezethet. Amikor a gyermek önállóan képes a babakocsiba beülni és abból kiszállni, a lábtartót a legalacsonyabb pozícióba kell állítani.
- » Nem szabad a gyártó által a standard kiserelésben nem említett további tartozék dott modellhez nem rendeltetett tárgyak használatából eredő következményekért.
- » Az ülés háttámlájának szabályozása a sétakocsi verzióban. A babakocsi ülése állítható háttámlával került felszerelésre. A háttámla leengedéséhez fél állásba, vagy fekvő helyzetbe, húzza felfelé a háttámla hátsó részén található fogantyút, állítsa a háttámlát a megfelelő állásba és engedje fel a fogantyút. A háttámla rugós automata reteszelő mechanikával rendelkezik, mely nem igényli a fogantyú felemelését, amikor a háttámlát fekvő helyzetből ülő helyzetbe kívánja állítani. A háttámla helyzetének minden egyes állítása után ellenőrizze a csatolási rendszer működését, valamint ellenőrizze és illessze a biztonsági öveket a gyermek új pozíciójához.

- » Ne engedje, hogy a gyermek felálljon az ülésen, mert az a babakocsi stabilitásának elvesztéséhez és annak felborulásához vezethet. A termék stabilitásának növelése érdekében a használat közben ügyeljen rá, hogy a gyermek a gondola, vagy az ülés középső részében helyezkedjen el, a számára megfelelő pozícióban.
- » Nem szabad a babakocsit a kupolánál, a támasz felső részénél, a lábtartónál, a mélykocsi alakját képező elemnél fogva hordozni. Nem szabad a babakocsival lépcsőn fel és lehajtani, valamint a babakocsit a gyermekkel lejtős helyen hagyni (még bekapcsolt fékkel sem), mert a babakocsi onnan legurulhat. A babakocsi lépcsőn való felvitelét vagy levitelét, autóbuszba történő berakását, stb. másik személy segítségével kell elvégezni. A babakocsi tolókarját fogó személy küzdi le elsőként az akadályt, míg a segítő személy a babakocsit a másik oldalon, annak stabil részénél, pl. a lábánál fogja. Lépcsőn való evitel, vagy más akadályról való levitel esetén a segítő személy megy le elsőként.
- » A babakocsi megállításakor használja a féket. A fék használata a fékkar leengedéséből és a fékezés hatékonyságának ellenőrzéséből áll. A megállás utáni induláskor ellenőrizze, hogy a babakocsi kerekei nincsenek leblokkolva, mert a leblokkolt kerekkel való induláskor a reteszelő részek megsérülhetnek.
- » Magasítás jellegű akadály (pl. küszöb) leküzdéséhez arra egyszerre (ugyanazon tengely) két kerekével kell ráhajtani, egyidejűleg lefelé nyomva a tolókart az akadály első kerekével történő leküzdésének pillanatában. Magasabb akadályok (pl. járdaszegély) leküzdése esetén a babakocsi első kerekeit óvatosan fel kell emelni az akadály szintje fölé, egyidejűleg lenyomva és magához húzva a tolókart, az akadály első kerekével történő leküzdésének pillanatában. Magasabb akadályok (pl. járdaszegély) leküzdése esetén a babakocsi első kerekeit óvatosan fel kell emelni az akadály szintje fölé, egyidejűleg lenyomva és magához húzva a tolókart, majd hajtson a hátsó kerekkel az akadályhoz, engedje le az első kerekeket és vezesse át a hátsó kerekeket az akadályon a babakocsi felemelésével. A keresztirányú akadályba való erőteljesebb ütközés megrongálhatja (deformálhatja) a váz összekötő elemeit és tönkretelheti annak egyes részeit, ami által a babakocsi elveszíti az egyenesvonalú mozgásirányát.
- » A gyártó ajánlja az ülést a menetiránynak háttal felszerelni, ami megkönnyíti az ülésben levő gyermek megfigyelését.
- » A babakocsi vázára rögzített kosár terhelése nem haladhatja meg a 3 kg-ot. A babakocsi fogantyújára akasztott táska hozzáférhető terhelése 1 kg. A babakocsi zsebei csak dekorációs célokat szolgálnak, nem szabad 0,15 kg össztömeget meghaladó tárgyakat elhelyezni minden zsebben, vagy 0,35 kg súlyú minden zsebben.
- » Ügyeljen a babakocsi részeinek tisztaságára. A váz részeinek szennyeződését nedves szivaccsal távolítsa el, majd a megtisztított rész száraz pamut vagy flanel kendővel törölje le. A tisztításhoz ne használjon maró szereket, vagy éles, kemény anyagokat, melyek változásokat okozhatnak a babakocsi részeiben (fakulás, karcolóadás, stb.). Ajánlott az egyes felület tisztításához megfelelő készítményeket használni. A babakocsi kárpitjának bármilyen szennyeződése esetén azt enyhe határsú tisztítószerezes nedves szivaccsal kell eltávolítani. Kerülje a sétakocsi ülésének, a gondola aljának, a kiegészítő lábtakaró (többfunkciós babakocsi) túlzott átnedvesedését, mert az a babakocsit merevítő részek deformálódásához vezethet.
- » A csapadék, pl. eső után esetlegesen megjelenő foltok és folyások kialakulásának

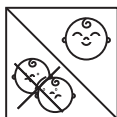
elkerülése érdekében védje le a babakocsit a beázástól, esővédőt alkalmazza az egész babakocsira. Ajánlot a babakocsit óvni a napsugarak hosszantartó hatásától. Az ajánlások figyelmen kívül hagyásából eredő kárpit kinézet változások alaptalan reklamációként kerülnek elkönyvelésre.

- » A kerék feltevesi és levételi művelete előtt a fék reteszét fel kell emelni (a fék kioldva). Ajánlott ügyelni a babakocsi tengelyeinek tisztaságára. A nem csapágyazott tengelyű kerékek felszerelt babakocsi tengelyeit a kerékagyak súrlódásának csökkentése érdekében sűrű anyaggal (gépolaj, gépszír). A csapágyazott kerekekkel ellátott modellek esetében ajánlott a tengelyeket kenőkarbantartó szerrel, pl. WD-40 készítménnyel kenni. Felfújható kerekek esetén ellenőrizze a belsőben a légnymást. A tömlőben a nyomás nem lépheti túl a 0,6 bar, vagy a kerékabroncsán megadott értéket.
- » Az autósülés beszereléséhez aljzattal rendelkező babakocsi váz esetén nem szabad további összekötőelemeket alkalmazni, vagy a gyártó által ajánlottaktól eltérő autósülést beszerelni. A gyártó nem vállal felelősséget a gyártó tanúsítványa nélküli autósülések babakocsi vázra szereléséből eredő következményekért. A tanúsítással rendelkező autósülések listája a termék márka weboldalán található.
- » Adapter használatát igénylő autósülés babakocsi vázra szerelése esetén kizárólagosan a gyártó által ajánlott, vagy a gyártó műszaki tanúsításával rendelkező adapter használata megengedett. FIGYELEM - A babakocsi használata előtt ellenőrizze az autósülés rögzítését a vázhoz.
- » Az újszülött kortól való használatra rendeltetett babakocsik esetében ajánlatos azt elsősorban vízszintes pozícióban használni.
- » A babakocsi vázára szerelt autósülés használata esetén a babakocsi nem helyettesíti a kiságyat. Amennyiben a gyermek aludni akar, a gyermeket a babakocsi megfelelő gondolájába, bölcsőjébe vagy kiságyába tenni. A babakocsi szállítóeszközként szolgál, a terméket nem szabad hintáztatni. Az első bolygókerékes babakocsi rövid szakaszon történő előre-hátra mozgatása esetén érdemes a kerekeket fixálni. A bolygómű technológiai hézagjai módosíthatják a menetirányt, ami nem számít a termék hibájának.
- » Az oldalsó hordfülekkel ellátott gondolák esetében ügyeljen rá, hogy a hordfülek a használat során a gondola belső részén kívül legyenek. A középen felszerelt hordfüllel ellátott gondolák esetében azok felemelése előtt ellenőrizze, hogy a hordfűl a gondola vázához képest merőleges pozícióban áll és az alján levő reteszek be vannak kapcsolva és megfelelően működnek.
- » Garanciális és garancián túli javítások esetén a gyártó ajánlja a gyártó, a termékforgalmazó, vagy a gyártó nevében eljáró szerviz által szállított, vagy ajánlott alkatrészek használatát. Ne használja a babakocsit, ha a termék bármilyen meghibásodását, vagy valamelyik részének megsérülését észleli.
- » A sétatocsi ülés kupolával rendelkezik, melyek kárpitja rugalmas acél lécekre került felszerelésre, melyek nyomás hatására deformálódhatnak. Ez a lécek és a babakocsi egyéb részei közötti távolságok csökkenését okozhatja, ami pedig a kárpit elkopásához és megsérüléséhez vezethet. Deformálódás észlelése esetén az acéllecek óvatos összenyomásával, széthúzásával korrigálja azokat.
- » A változtatható irányban felszerelhető üléssel felszerelt termékek esetében tilos az ülés irányát a benne ülő gyermekkel módosítani.

- » A váz kinyitása után ellenőrizze az első és hátsó kerekek megfelelő rögzítését a kerekek letolási/ lehúzási próbálkozásával, a reteszt kioldó gombok megnyomása nélkül.
- » A váz összecukása után ellenőrizze, hogy a vázat biztosító reteszelő mechanikák, melyek védik a vázat a véletlen kinyitástól, megfelelően működnek.
- » A váz összecukása és kinyitása, valamint a különálló részek, pl. ülés, gondola, autósülés szerelése közben tartsa a kezét biztonságos távolságban a mozgó és becsatoló részekről, kerülv a testi sérülést.
- » A karabínerek (D-ring) a további hevederek rögzítését szolgálják. Azok a felszerelt hevedereken található, az üléshez való rögzítés közelében. A karabínerek különálló hevederek felszerelését szolgálják, amikor az szükséges. A további hevederek közvetlenül a termékforgalmazónál beszerezhetők.
- » A fék használata. A fék rögzítéséhez nyomja meg a fékpedált. FIGYELEM: sosem hagyja leállítva a babakocsit anélkül, hogy előtte ellenőrizte a fék rögzítésének hatékonyságát.
- » Ne helyezze a hordágyat nyílt tűz vagy más erős hőforrás közelébe. A hordágyak fogantyúit és alját rendszeresen ellenőrizni kell, hogy nincsenek-e rajta sérülések és kopások. Ha a hordágyat állvánnyal együtt kívánják használni, akkor ellenőrizni kell, hogy az állvány megfelelő méretű-e ahhoz, hogy elférjen a hordozható ágy alján. A hordozóágyban lévő gyermek feje soha nem lehet alacsonyabb, mint a gyermek teste.
- » Legyen tudatában a veszélynek, hogy a babát eltalálhatja például, amikor lefekteted a földre, vagy átmész az ajtón.
- » Ne hagyj semmit a hordozókocsiban, ami fulladásveszélyt jelenthet, például nem rugalmas játékok, párnák...
- » Ne helyezd a hordozókocsit közel más termékhez, ami fulladásveszélyt jelenthet, például madzagok, redőny/függöny zsinórok...
- » Kérlek, tartsd szem előtt, hogy a túlmelegedés veszélyeztetheti a gyermek életét! Vegyél figyelembe a környezeti hőmérsékletet és a gyermek ruházatát, és győződj meg arról, hogy ne legyen sem túl hideg, sem túl meleg neki.
- » Kérlek, emlékezz arra, hogy kérj tanácsot egy egészségügyi szakértőtől a biztonságos alvással kapcsolatban.
- » Soha ne emelje fel vagy engedje le a mózeskosárt vagy az ülést, ha baba benne van.

ĮSPĖJIMAS!

- » Niekada nepalikite vaiko be priežiūros.
- » Prieš pradėdami naudoti įsitikinkite, ar visi fiksavimo įtaisai yra sujungti.
- » Kad išvengtumėte sužalojimų, prieš suskleisdami ir išskleisdami gaminį visada įsitikinkite, kad vaikas yra atokiau.
- » Neleiskite vaikui žaisti su šiuo gaminiu.
- » Naudoti saugos diržus, kai tik vaikas gali sėdėti savarankiškai.
- » Visada naudokite prisegimo sistemą.
- » Prieš naudodami patikrinkite, ar vežimėlio korpuso, sėdynės, arba automobilinės kėdutės tvirtinimo įtaisai yra tinkamai sujungti.
- » Šis gaminytis nėra tinkamas bėgimui, čiuožimui.
- » Vežimėlio korpusas nenaudojamas, kai tik vaikas gali pats atsisėsti, apsiversti ir atsistumti ant rankų ir kelių. Didžiausias vaiko svoris: svoris 9 kg.
- » Vežimėlis tinka tik nurodytam vaikų skaičiui ir gali būti naudojamas tik nurodytoms amžiaus grupėms.
- » Šis produktas tinka tik vaikui, kuris negali atsisėsti be pagalbos.
- » Naudokite tik ant tvirto, horizontalaus, lygaus ir sauso paviršiaus.
- » Maksimalus vaiko, kuriam skirtas vežimėlis, svoris ir ūgis: 22 kg arba 4 metai (priklausomai, kas bus anksčiau)“
- » Ant vežimėlio karkaso galima tvirtinti lopšį, sėdynę arba automobilio kėdutę. Venicci Upline 2 važiuklė visiškai suderinama su: Venicci Upline 2 sėdynių ir Venicci Upline 2 nešiojimo lovele.
- » Dviejų taškų bagažinės, sėdynės ir automobilio sėdynės užrakinimo sistema Užrakinimo mechanizmas suveikia automatiškai, kai jis įdėtas į krepšio, sėdynės ar automobilio sėdynių adapterių angas
- » Mygtukai, skirti išjungti užrakto sistemą. Norėdami atimti rankinę, sėdynę ir automobilio kėdutę, prieš ją pakeldami, paspauskite mygtukus kairėje ir dešinėje važiuklės pusėje. Prieš pakartotinai naudodami gaminį, pakelkite nuimamą dalį, kad tinkamai veiktų fiksavimo sistema.
- » Bet kokia apkrova, pritvirtinta prie sėdynės bloko rankenos / atlošo arba iš abiejų vežimėlio pusių, daro įtaką transporto priemonės stabilumui.
- » Prieš įsodindami vaiką į nešiojimo lovele / vežimėlio sėdynę / automobilio kėdutę, įsitikinkite, kad nėra smulkių daiktų, galinčių sukelti užspringimą.
- » Neleiskite kitiems vaikams be priežiūros žaisti šalia nešiojimo lovelės.
- » Nenaudokite, jei kuri nors vežimėlio dalis sulūžusi, suplyšusi ar trūksta.
- » Niekada nenaudokite šio gaminio ant stovo.



- » Prieš naudodami atidžiai perskaitykite šią instrukciją ir laikykite ją. Jei nesilaikoma šiame vadove pateiktų rekomendacijų, vaiko saugumas gali kilti pavojus. Vėžimėlio gamintojas neatsako už padarinius, jei nesilaikoma gaminio dokumentacijoje pateiktų užrašų, įspėjimų ir rekomendacijų.
- » Atlošo reguliavimas vėžimėlio versijoje. Vėžimėlio sėdynėje yra reguliuojamas atlošas. Norėdami atlošą nuleisti pusiau sėdint arba gulint, patraukite užpakalinėje atlošo dalyje esančią rankeną į viršų, pasirinkite reikiamą padėtį ir atleiskite rankeną. Atlošas yra su spyruokliniu automatinio užrakinimo mechanizmu, kuriam nereikia pakelti rankenos pakeliant atlošą iš gulėjimo į sėdimą padėtį. Kiekvieną kartą, kai keičiate atlošo padėtį, patikrinkite, ar tvirtinimo sistema veikia tinkamai, ir pakoreguokite diržų nustatymus, kad jie atitiktų jūsų kūdikio naują sėdėjimo padėtį.
- » Neleiskite vaikui stovėti ant kėdės, nes tai gali pakenkti vėžimėlio stabilumui ir sukelti vėžimėlio kritimą. Kad padidintumėte gaminio stabilumą jį naudojant, įsitikinkite, kad kūdikis yra centrinėje vaikiškos lovelės ar sėdynės vieneto dalyje.
- » Nenešiotkite vėžimėlio laikydami gaubtą, viršutinį atlošo kraštą, kojos atramą ar elementą, sukuriantį vėžimėlio versiją. Nenaudokite vėžimėlio ant laiptelių ir nepalikite vaikiško vėžimėlio vaikui ant nelygių paviršių (net ir su jungtu stabdžiu), nes jis gali nusileisti. Vėžimėlį kylant aukštyn arba leidžiant žemyn laipteliais, vėžimėlį padėti prie autobuso ir pan. Nešti vėžimėlį turėtų padėti kitas asmuo. Asmuo, laikantis vėžimėlio rankenos vamzdelį, pirmiausia praleidžia kliūtį, laikydamas vėžimėlio rankenos vamzdį, o asmuo, laikantis kitą vėžimėlio galą, turėtų sugriebti vėžimėlį stabilium elementu, pavyzdžiui, fiksuotu rėmo statmenu. Vežant vėžimėlį apačioje, pirmiausia nusileidžia padedantis asmuo.
- » Vėžimėlio rankenos aukščio reguliavimas. Norėdami pakeisti vėžimėlio rankenos aukštį, palaikykite nuspaukę mygtuką, pasirinkite reikiamą aukštį ir atleiskite abu mygtukus. Sureguliuavę rankenos aukštį, laikykite ją viršutinėje dalyje ir dukart judinkite aukštyn ir žemyn, kad įsitikintumėte, jog spygnos veikia tinkamai.
- » Jei vėžimėliai yra su perkeliama rankenos vamzdeliais, keisdami rankenos vamzdžio padėtį, įsitikinkite, kad vaiko rankos nėra už vidinės sėdynės kontūro pusės. Po kiekvieno rankenos vamzdžio padėties pakeitimo patikrinkite savaime pritvirtinančio fiksavimo mechanizmo efektyvumą, kelis kartus traukdami rankenos vamzdelį aukštyn ir žemyn. Keičiant atlošo ar krepšio padėtį, atkreipkite dėmesį į vaiko rankų ir galvos padėtį. Vėžimėlyje yra reguliuojama kojų atrama. Norėdami nuleisti kojų atramą, paspauskite reguliavimo mygtukus abiejose pėdų atramos pusėse, sureguliuokite pėdų atramos padėtį ir atleiskite mygtukus. Pėdų atramoje yra automatinio užrakinimo sistema, kuriai nereikia pakelti kojų atramos. Įsigiję įsitikinkite, kad tinkamai prižiūrite visus gamintojo nurodytus komponentus šiame vadove. Šį vėžimėlį vartotojas turi reguliariai prižiūrėti. Vartotojas yra atsakingas už įprastą vėžimėlio apžiūrą ir priežiūrą, kad būtų išvengta gaminio pažeidimo ir (arba) jūsų vaiko sužalojimo.
- » Neleiskite vaikui stovėti ar sėdėti ant kojos atramos. Didesnės apkrovos poveikis pėdos atramai gali sugadinti fiksavimo mechanizmus. Kai vaikas savarankiškai įlipa ir išlipa iš vėžimėlio, padėkite kojos atramą į apatinę padėtį.
- » Laikykite vėžimėlio elementus švarius. Nešvarumus ant rėmo reikia nuvalyti drėgna

kempinėle ir nuvalyti sausu medvilniniu skudurėliu. Valymui nenaudokite kaustinių, aštrių ar kietų medžiagų, nes jos gali pakenkti vežimėlio elementams (spalvos pasikeitimas, įbrėžimai ir kt.). Rekomenduojama naudoti tam tikram paviršiui tinkamas valymo priemonės. Jei ant vežimėlio dangtelio yra nešvarumų, nuimkite jį drėgna kempine, įpilkite subtilios valymo priemonės. Venkite per daug sudrėkinti vežimėlio sėdynę, nešiojimo lovelės dugną ir papildomo miegmaišio dugną (keičiamos funkcijos vežimėlis), nes tai gali deformuoti žiedinių žiedų elementus.

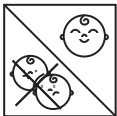
- » Pavyzdžiui, kad išvengtumėte raudų ar dėmių, kurios gali atsirasti po lietaus, apsaugokite vežimėlį nuo permirkimo, naudodamiesi lietaus danga visam vežimėliui. Vežimėlį rekomenduojama saugoti nuo tiesioginių saulės spindulių poveikio. Gamintojas negali prisiimti atsakomybės už vežimėlio dangčio pablogėjimą, atsirandantį dėl šių rekomendacijų nesilaikymo.
- » Prieš montuodami ir išmontuodami ratus, pakelkite stabdžių fiksavimo mechanizmą aukštyn (neužblokuotas lūžis). Mes rekomenduojame, kad vežimėlio ašys būtų švarios. Jei vežimėliuose yra ratai be guolių, vežimėlio ašys turėtų būti suteptos storu agentu (tepalu, mašinų alyva), kad sumažėtų trintis ant vamzdžių galų. Modeliuose, kuriuose yra ratai su guoliais, ašis rekomenduojama sutepti tepimo priemonė, pvz WD40. ĮSPĖJIMAS: Negalima naudoti priedų ar atsarginių dalių, kurių gamintojas ar platintojas nepatvirtino.
- » Važiuklės su montavimo angomis automobilio kėdutei negalima naudoti visų jungčių, kurių gamintojas ar platintojas nepatvirtino. Gamintojas neatsako už pasekmes, jei ant važiuoklės bus sumontuotos kitos automobilinės kėdutės, kurios neturi patvirtinimo. Automobilijų sėdynių su tinkamais patvirtinimais sąrašas skelbiamas gamintojo svetainėje.
- » Negalima naudoti adapterių, skirtų automobilio kėdutei, kurių gamintojas ar platintojas nepatvirtino. ĮSPĖJIMAS: Prieš naudodami patikrinkite, ar teisingai užfiksuoti automobilio kėdutės tvirtinimo įtaisai.
- » Sulenkdami ir išskleisdami važiuoklę bei surenkant, laikykite rankas saugiu atstumu nuo judančių dalių, kad išvengtumėte sužalojimų. Nenaudokite automobilio kėdutės ir važiuoklės derinio kaip vietos, kur vaikas galėtų miegoti ilgą laiką. Jei jūsų vaikas nori miegoti, visada naudokite nešiojimą lovelę. Vežimėlis naudojamas kaip transporto priemonė, nestatykite gaminio į nestabilią situaciją. Trumpais atstumais vežimėlį judinant į priekį ir atgal, priekiniai ratai turėtų būti fiksuotoje padėtyje. Dėl technologinio verpimo mechanizmo laisvumo gali pasikeisti kryptis, kuri neįrodo gaminio trūkumų.
- » Gamintojas rekomenduoja automobilinę kėdutę montuoti priešingai važiavimo kryptčiai (tėvai nukreipti į priekį), taip lengviau stebėti vaiką automobilio kėduteje.
- » Vaikiškų vežimėlių, sukurtų nuo gimimo į viršų, vaiką rekomenduojama visada paguldyti lygia, plokščia padėtimi.
- » Jei vaikiškos lovelės yra su diržais, visada įsitikinkite, kad nenaudojami diržai būtų išimti iš rankinės. Vežimėliai su viršutine centrine nešimo rankena; prieš pakeldami įsitikinkite, kad rankena pastatyta statmenai vežimėliui, o jo pagrindo spyna yra įjungta ir veikia tinkamai.
- » Bet kokiam garantiniam ir pogarantiniam remontui naudokite tik tas dalis, kurias tiekia arba rekomenduoja atitinkamas gamintojas ar platintojas. Vaikiško vežimėlio negalima naudoti, jei pastebėta kokių nors defektų arba buvo pažeisti bet kurie

elementai.

- » Sėdynės bloko gaubtas buvo suprojektuotas naudojant lanksčias plieno juostas, kurios veikiamos slėgio gali deformuotis. Dėl to gali sumažėti atstumas tarp vidinių metalinių strypų ir kitų sistemos dalių ir sukelti pažeidimų, pavyzdžiui, audinio plyšimas. Deformacijos atveju turite pataisyti švelniai suspaudžiant, ištempiant vidinius metalinius strypus.
- » Kelionių sistemose, kuriose yra keičiamas sėdynės blokas, neleidžiama keisti savo padėties, kol joje yra kūdikis.
- » Išskleidę važiuoklę, patikrinkite, ar priekiniai ir galiniai ratai tinkamai sumontuoti, bandydami juos atjungti nuo važiuoklės, nespausdami mygtuko, kuris atrakina fiksavimo mechanizmą.
- » „D“ žiedai yra skirti papildomam diržui pritvirtinti. Jie yra ant esamų diržų netoli tos vietos, kur jie pritvirtinti prie sėdynės rėmo. „D“ žiedai yra skirti atskiram diržui pritvirtinti, jei reikia. Pakaitinių diržų galima įsigyti tiesiogiai iš platintojo.
- » Stovėjimo stabdžio valdymas. Norėdami įjungti stovėjimo stabdį, nuspauskite pedalą. Paspauskite ir atleiskite, kad atjungtumėte stovėjimo stabdį. ĮSPĖJIMAS: Niekada nepalikite transporto priemonės, prieš tai neįjungę stovėjimo stabdžio.
- » Dviejų taškų bagažinės, sėdynės ir automobilinės kėdutės užrakinimo sistema. Užrakinimo mechanizmas suveikia automatiškai, kai jis įdėtas į vežimėlio, sėdynės ar automobilio sėdynių adapterių angas
- » Mygtukai, skirti išjungti užrakto sistemą. Norėdami atimti rankinę, sėdynę ir automobilio kėdutę, prieš ją pakeldami, paspauskite mygtukus, esančius kairėje ir dešinėje važiuoklės pusėje. Prieš pakartotinai naudodami gaminį, pakelkite nuimamą dalį, kad tinkamai veiktų fiksavimo sistema.
- » Krepšelio, pritvirtinto prie vežimėlio rėmo, apkrova neturėtų viršyti 3 kg. Prieinama prie vežimėlio rankenos pakabinto krepšio apkrova yra 1 kg. Vaikiškų vežimėlių kišenės yra tik dekoratyvinės, į kiekvieną kišenę negalima dėti jokių daiktų, kurių bendras svoris viršija 0,15 kg, arba visų kišenių svoris yra 0,35 kg.
- » Nestatykite nešiojimo levelės šalia atviros ugnies ar kito stipraus šilumos šaltinio. Turėtų būti reguliariai tikrinamos rankinės ir rankinės lopšio apačia, ar nėra pažeidimų ir nusidėvėjimo. Jei nešiojimo levelę ketinama naudoti su stovu, reikia patikrinti, ar stovas yra tinkamo dydžio, kad tilptų nešiojimo levelės pagrinde. Nešiojimo levelėje vaiko galva niekada neturi būti žemesnė už vaiko kūną.
- » Būkite atsargūs dėl pavojaus pataikyti į kūdikį, pvz., kai jį dedate ant grindų, einant per duris.
- » Nepalikite nieko lopšyje, kas galėtų kelti uždusimo pavojų, pvz., nelankstūs žaislai, pagalvėlės...
- » Neleiskite lopšį statyti netoli kito produkto, kuris galėtų kelti stranguliacijos pavojų, pvz., virvės, užuolaidų / užuolaidų juostos...
- » Prašome prisiminti, kad perkaitimas gali kelti pavojų jūsų vaiko gyvybei! Atkreipkite dėmesį į aplinkos temperatūrą ir vaiko aprangą, ir įsitinkite, kad jam ne per šalta ar per karšta.
- » Prašome prisiminti paklausti sveikatos profesionalo patarimo dėl saugaus miego.
- » Niekada nekelkite ir nenuleiskite lopšio ar sėdynės, kai kūdikis yra viduje.

AVERTISSEMENTS!

- » Ne jamais laisser un enfant sans surveillance.
- » S'assurer que tous les dispositifs de verrouillage sont enclenchés avant utilisation.
- » Pour éviter toute blessure, maintenir l'enfant à l'écart lors du dépliage et du pliage du produit.
- » Ne pas laisser un enfant jouer avec ce produit.
- » Utiliser un harnais dès que l'enfant peut tenir assis tout seul.
- » Ce siège ne convient pas à des enfants de moins de 6 mois.
- » Toujours utiliser le système de retenue.
- » Vérifier que les dispositifs de fixation de la nacelle, du siège ou du siège-auto sont correctement enclenchés avant utilisation.
- » Ce produit ne convient pas pour faire du jogging ou des promenades en rollers.
- » Vous pouvez assembler le lit de transport, l'unité de siège ou le siège d'auto sur le cadre de la poussette. Le châssis Venicci Upline 2 est entièrement compatible avec: le siège Venicci Upline 2 et la nacelle Venicci Upline 2.
- » Utilisez toujours le système de retenue.
- » Ce produit convient uniquement à un enfant qui ne peut pas s'asseoir seul.
- » Utiliser uniquement sur une surface ferme, horizontale, plane et sèche.
- » Le corps du landau ne doit pas être utilisé dès que l'enfant est capable de s'asseoir tout seul, de se retourner et de se pousser sur ses mains et ses genoux. Poids maximum de l'enfant: poids 9 kg.
- » Vérifiez que le corps de la poussette ou le siège ou les dispositifs de fixation du siège auto sont correctement engagés avant utilisation.
- » Système de verrouillage à deux points pour nacelle, siège et siège auto. Le mécanisme de verrouillage se déclenche automatiquement lorsqu'il est placé dans les fentes de la nacelle, de l'unité de siège ou des adaptateurs de siège d'auto
- » Boutons pour désactiver le système de verrouillage. Pour détacher la nacelle, le siège, le siège auto, avant de le soulever, appuyez sur les boutons, sur les côtés gauche et droit du châssis. Avant de réutiliser le produit, assurez-vous que le système de verrouillage fonctionne correctement en soulevant la partie détachable.
- » Ne laissez pas d'autres enfants jouer sans surveillance à proximité de la nacelle.
- » Ne pas utiliser si une partie de la nacelle est cassée, déchirée ou manquante.
- » N'utilisez jamais ce produit sur un support.
- » Cette poussette est prévue pour un enfant d'un poids inférieur à 22 kg et d'un âge de 4 ans et moins, ces deux conditions étant obligatoires



Avant toute utilisation, lisez attentivement le manuel suivant et conservez-le.

- » La sécurité de l'enfant peut être compromise si les recommandations contenues dans ce manuel ne sont pas suivies.
- » Le fabricant de la poussette n'est pas responsable des effets résultant du non-respect des notes, avertissements et recommandations figurant dans la documentation du produit.
- » Après l'achat, veillez à entretenir correctement tous les composants spécifiés par le fabricant dans ce guide du manuel.
- » Cette poussette nécessite un entretien régulier de la part de l'utilisateur. Il incombe à l'utilisateur d'effectuer une inspection et un entretien de routine de la poussette afin d'éviter d'endommager le produit et/ou de blesser votre enfant. Réglage du dossier dans la version poussette.
- » Le siège de la poussette est équipé d'un dossier réglable.
- » Pour abaisser le dossier à la position demi-assise ou couchée, tirez la poignée située dans la partie arrière du dossier vers le haut, sélectionnez la position souhaitée et relâchez la poignée.
- » Le dossier est équipé d'un mécanisme de verrouillage automatique à ressort qui ne nécessite pas que la poignée soit soulevée lorsque le dossier est relevé de la position couchée à la position assise.
- » Chaque fois que vous changez la position du dossier, vérifiez si le système de fixation fonctionne correctement et ajustez les réglages du harnais en conséquence pour qu'il s'adapte à la nouvelle position de votre bébé.
- » Ne laissez pas l'enfant se tenir debout sur le siège, car cela pourrait nuire à la stabilité de la poussette et provoquer sa chute.
- » Afin d'augmenter la stabilité du produit pendant l'utilisation, assurez-vous que le bébé est positionné dans la partie centrale de la nacelle ou de l'unité de siège.
- » Ne transportez pas le landau qui tient la capote, le bord supérieur du dossier, le repose-pieds ou l'élément qui crée la version du landau.
- » N'utilisez pas le landau sur des marches ou ne laissez pas le landau avec l'enfant sur des surfaces inégales (même avec le frein en marche) car il pourrait descendre.
- » Le transport du landau sur les marches, la mise en place du landau dans le bus, etc. doivent être effectués avec l'aide d'une autre personne.
- » La personne qui tient le tube de la poignée du landau passe d'abord l'obstacle en tenant le tube de la poignée du landau, et celle qui tient l'autre extrémité du landau doit saisir le landau par un élément stable tel qu'un montant fixe du cadre.
- » Lorsqu'elle transporte la poussette en bas, la personne qui l'aide descend en premier.
- » Dans le cas des poussettes équipées de tubes de poignée transférables, assurez-vous que les mains de l'enfant ne se trouvent pas à l'extérieur du contour interne du siège lorsque vous changez la position du tube de poignée. Après chaque changement de position du tube de poignée, vérifiez l'efficacité du mécanisme de verrouillage automatique en tirant le tube de poignée vers le haut et vers le bas plusieurs fois.
- » Lorsque vous changez la position du dossier ou du berceau, faites attention aux mains et à la tête de l'enfant. Réglage du repose-pieds.
- » Le landau est équipé d'un repose-pieds réglable. Pour abaisser le repose-pieds, appuyez sur les boutons de réglage des deux côtés du repose-pieds, réglez la position du repose-pieds et relâchez les boutons. Le repose-pieds est équipé d'un système de verrouillage automatique qui ne nécessite pas le relâchement des boutons lorsque vous le soulevez.
- » Ne laissez pas l'enfant se tenir debout ou s'asseoir sur le repose-pieds. L'impact d'une charge plus importante sur le repose-pieds peut endommager les mécanismes de verrouillage. Lorsque l'enfant entre et sort indépendamment de la poussette, placez

le repose-pieds en position basse.

- » Gardez les éléments de la poussette propres. La saleté sur le châssis doit être enlevée avec une éponge humide, puis essuyée avec un chiffon de coton sec. N'utilisez pas de produits caustiques, pointus ou durs pour le nettoyage, car ils peuvent être nocifs pour les éléments de la poussette (décoloration, rayures, etc.).
- » Il est recommandé d'utiliser des produits de nettoyage adaptés à une surface particulière. En cas de salissures sur la couverture de la poussette, enlevez-les à l'aide d'une éponge humide, en ajoutant un produit de nettoyage délicat. Évitez de trop mouiller le siège de la poussette, le fond de la nacelle et le fond du sac de couchage supplémentaire (poussette à fonction variable), car cela pourrait entraîner une déformation des éléments de l'anneau de la poussette.
- » Pour éviter les dépôts ou les tâches qui peuvent se produire après une pluie, par exemple, protégez le landau contre un trempage excessif en utilisant une couverture de pluie pour l'ensemble du landau. Il est recommandé de protéger la poussette contre les effets d'un fort ensoleillement. Le fabricant ne peut être tenu responsable de la détérioration de la couverture de la poussette, qui résulte du non-respect de ces recommandations.
- » Avant de monter et de démonter les roues, soulevez le mécanisme de verrouillage du frein vers le haut (frein débloqué). Nous recommandons de garder les essieux de la poussette propres.
- » Lorsque les poussettes sont équipées de roues sans roulements, les essieux de la poussette doivent être maintenus lubrifiés avec un agent épais (graisse à godet, huile de machine) afin de réduire la friction aux extrémités des tubes, dans les modèles équipés de roues avec roulements, il est recommandé de lubrifier les essieux avec un agent lubrifiant, par exemple WD40.
- » ATTENTION : Les accessoires ou pièces de rechange non approuvés par le fabricant ou le distributeur ne doivent pas être utilisés.
- » Pour les châssis équipés de trous de fixation pour le siège de la voiture - tous les connecteurs que le fabricant ou le distributeur n'a pas approuvés ne doivent pas être utilisés. Le fabricant n'est pas responsable des conséquences de l'installation d'autres sièges de voiture sur le châssis qui n'ont pas leur approbation. La liste des sièges de voiture avec les homologations appropriées est affichée sur le site web du fabricant.
- » Les adaptateurs pour le siège de voiture que le fabricant ou le distributeur n'a pas homologué ne doivent pas être utilisés.
- » ATTENTION : Vérifiez que les dispositifs de fixation du siège de voiture sont correctement enclenchés avant l'utilisation.
- » Lors du pliage et du dépliage du châssis, ainsi que pendant l'assemblage, gardez vos mains à une distance sûre des pièces mobiles pour éviter les blessures. N'utilisez pas la combinaison du siège auto et du châssis comme endroit où l'enfant peut dormir pendant de longues périodes. Si votre enfant veut dormir, utilisez toujours le lit de bébé ou le lit d'enfant. Le landau est utilisé comme moyen de transport, ne le bercez pas. Pour déplacer le landau en avant et en arrière sur de courtes distances, les roues avant doivent être bloquées en position fixe. Le relâchement technologique du mécanisme de rotation, peut provoquer un changement de direction qui ne prouve pas la défektivité du produit.
- » Le fabricant recommande d'installer le siège auto dans la direction opposée à la direction de déplacement (face aux parents), ce qui permet d'observer plus facilement l'enfant dans le siège auto.
- » Pour les poussettes conçues à partir de la naissance, il est recommandé que l'enfant soit toujours couché à plat.
- » Pour les nacelles équipées d'un harnais, il faut toujours s'assurer que si le harnais n'est pas utilisé, il est retiré de la nacelle. Les nacelles équipées d'une poignée centrale supérieure ; avant de les soulever, assurez-vous que la poignée est perpendiculaire à la nacelle et que le verrou de sa base est enclenché et fonctionne correctement.
- » Pour toute réparation sous garantie et après garantie, utilisez uniquement les

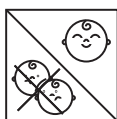
pièces fournies ou recommandées par le fabricant ou le distributeur concerné. La poussette ne doit pas être utilisée si un défaut quelconque a été constaté ou si l'un des éléments a été endommagé.

- » Le capot de l'unité de siège a été conçu à l'aide de bandes d'acier flexibles qui, sous l'influence de la pression, peuvent être déformées. Cela peut entraîner une diminution de l'espacement entre les barres métalliques internes et les autres parties du système et provoquer des dommages tels que la déchirure du tissu. En cas de déformation, vous devez apporter une correction en pressant doucement, en étirant les barres métalliques internes.
- » Dans le cas des systèmes de voyage équipés d'un siège réversible, il n'est pas permis de changer de position lorsque le bébé est dedans.
- » Après avoir déplié le châssis, vérifiez si les roues avant et arrière sont correctement montées en essayant de les détacher du châssis sans appuyer sur le bouton qui déverrouille le mécanisme de verrouillage.
- » Des anneaux en „D” sont prévus pour la fixation d'un harnais supplémentaire. Ils sont situés sur le harnais existant, près de l'endroit où il est fixé au châssis du siège. Des anneaux en „D” sont prévus pour l'installation d'un harnais séparé si nécessaire. Les harnais de rechange peuvent être achetés directement auprès du distributeur.
- » Utilisation du frein de stationnement. Appuyez sur la pédale pour serrer le frein de stationnement. Appuyez et relâchez pour désengager le frein de stationnement. ATTENTION : Ne quittez jamais le véhicule sans avoir au préalable serré complètement le frein de stationnement.
- » Système de verrouillage en deux points pour la nacelle, le siège et le siège auto. Le mécanisme de verrouillage se déclenche automatiquement lorsqu'il est placé dans les fentes de la nacelle, de l'unité de siège ou des adaptateurs de siège de voiture.
- » Boutons pour désactiver le système de verrouillage. Pour détacher la nacelle, l'unité de siège, le siège auto, avant de le soulever, appuyez sur les boutons, à gauche et à droite du châssis. Avant de réutiliser le produit, assurez-vous que le système de verrouillage fonctionne correctement en soulevant la partie détachable.
- » La charge du panier fixé au cadre du landau ne doit pas dépasser 3 kg, la charge accessible du sac accroché sur la poignée du landau est de 1 kg. Les poches du landau sont uniquement à des fins décoratives, aucun objet d'un poids total supérieur à 0,15 kg ne doit être placé dans chaque poche ou d'un poids de 0,35 kg pour toutes les poches.
- » Ne placez pas la nacelle à proximité d'un feu ouvert ou d'une autre source de chaleur intense. Les poignées et le fond de la nacelle doivent être inspectés régulièrement pour détecter tout signe de dommage et d'usure. Si la nacelle est destinée à être utilisée avec un support, alors il doit être vérifié que le support est de la taille appropriée pour accueillir la base de la nacelle. La tête de l'enfant dans la nacelle ne doit jamais être plus basse que le corps de l'enfant.
- » Soyez conscient du danger de heurter le bébé, par exemple, en le posant par terre, en passant par les portes.
- » Ne laissez rien dans le couffin qui pourrait présenter un danger d'étouffement, par exemple, des jouets non rigides, des oreillers...
- » Ne placez pas le couffin à proximité d'un autre produit, ce qui pourrait présenter un danger de strangulation, par exemple, des cordes, des cordons de stores/rideaux...
- » N'oubliez pas que la surchauffe peut mettre la vie de votre enfant en danger ! Tenez compte de la température ambiante et des vêtements de l'enfant et assurez-vous qu'il n'a ni trop froid ni trop chaud.
- » N'oubliez pas de demander l'avis d'un professionnel de la santé sur le sommeil en toute sécurité.
- » Ne soulevez ou n'abaissez jamais la nacelle ou le siège avec bébé à l'intérieur.

SVARĪGI - PIRMS LIETOŠANAS UZMANĪGI IZLASIET ŠO INSTRUKCIJU, UN VĒLĀK TO TURIET PA ROKAI, LAI BŪTU KUR IESKATĪTIES.

BRĪDINĀJUMS!

- » Neatstājiet bērnu bez uzraudzības
- » Pirms lietošanas noteikti jāiedarbina visas bloķējošās ierīces.
- » Lai nepieļautu traumu risku, atlokot un salokot šo izstrādājumu bērnam noteikti jāatrodas drošā atstatumā no tā.
- » Neļaujiet bērnam spēlēties ar šo izstrādājumu.
- » Tiklīdz bērns var patstāvīgi sēdēt, lietojiet bērnu drošības jostu
- » Šis sēdekļis nav paredzēts bērnam līdz sešu mēnešu vecumam.
- » Vienmēr lietojiet aizsardzības sistēmu.
- » Pirms lietošanas pārbaudiet, vai ratiņu korpuss vai sēdekļa bloks, vai automašīnas sēdekļa ierīce ir pareizi iestatītas.
- » Šis izstrādājums nav piemērots skriešanai vai slidošanai.
- » Uz ratiņu karkasa var piestiprināt kulbu vai sēdekli vai auto sēdekli. Venicci Upline 2 šasija ir pilnībā savietojama ar: Venicci Upline 2 sēdekļu vienību un Venicci Upline 2 CarryCot. Vienmēr izmantojiet ierobežotājsistēmu.
- » Šis produkts ir piemērots tikai bērnam, kurš nevar sēdēt bez palīdzības.
- » Lietojiet tikai uz cietas, horizontālas, līdzenas un sausas virsmas.
- » Bērnu ratiņu virsbūvi neizmanto, tiklīdz bērns pats var sēdēt, apgāzties un var sevi nospiegt uz rokām un ceļgaliem. Maksimālais bērna svars: svars 9 kg.
- » Pirms lietošanas pārbaudiet, vai ratiņu korpuss, sēdekļa bloks vai automašīnas sēdekļa stiprinājuma ierīces ir pareizi nofiksētas.
- » Divu punktu bloķēšanas sistēma gultiņai, sēdeklim un automašīnas sēdeklim. Bloķēšanas mehānisms tiek iedarbināts automātiski, kad tas tiek ievietots somiņas, sēdekļa vai automašīnas sēdekļa adapteru spraugās
- » Pogas bloķēšanas sistēmas deaktivizēšanai. Lai noņemtu bērnu gultiņu, sēdekļa bloku un automašīnas sēdekli, pirms pacelšanas uz augšu nospiediet pogas šasijas kreisajā un labajā pusē. Pirms produkta atkārtotas izmantošanas pārlicinieties, ka bloķēšanas sistēma darbojas pareizi, paceļot noņemamo daļu.
- » Neļaujiet citiem bērniem rotaļāties bez uzraudzības pie gultiņas.
- » Nelietojiet, ja kāda no gultiņas daļām ir salauzta, saplēsta vai pazudusi.
- » Nekad nelietojiet šo produktu uz statīva.
- » Bērna, kuram paredzēti ratiņi, maksimālais svars un vecums: 22 kg vai 4 gadi, atkarībā no tā, kurš notiek agrāk



Divpunktu bloķēšanas sistēma kulbiņai, sēdekļa blokam un automašīnas sēdeklim.

- » Bloķēšanas mehānisms ir automātiski iedarbināms, kad tas tiek ievietots kulbiņas, sēdekļa bloka vai automašīnas sēdekļa adaptera spraugās.
- » Poga, lai deaktivizētu bloķēšanas sistēmu. Lai atvienotu kulbiņu, sēdekļa bloku vai automašīnas sēdekli, pirms tās izcelšanas nospiediet pogas šasijas kreisajā un labajā pusē.
- » Pirms produkta atkārtotas izmantošanas, paceļot noņemamo daļu, pārliecinieties, vai bloķēšanas sistēma darbojas atbilstošā veidā.
- » Rokturis ir paredzēts šķidrumu pārvadāšanai. Šķidrumam ir jāatrodas slēgtā traukā, tā svars nedrīkst pārsniegt 0,5 kg un tilpums 0,5 l. Pirms salocīšanas rokturis ir jānoņem no šasijas.
- » Pirms lietošanas uzmanīgi izlasiet šo pamācību un saglabājiet to. Bērna drošība var tikt apdraudēta, ja netiek ievēroti šajā pamācībā izklāstītie ieteikumi. Bērnu ratiņu ražotājs nav atbildīgs par sekām, kas radušās, neievērojot produkta dokumentācijā iekļautās piezīmes, brīdinājumus un ieteikumus.
- » Pēc iegādes pirms ratiņu lietošanas visas detaļas, kuras ražotājs norādījis manuālajā servisa sadaļā (SERVICE), ir jāuztur atbilstošā kārtībā. Lietotājam regulāri jāveic šī transportlīdzekļa tehniskā apkope.
- » Lai izvairītos no transportlīdzekļa bojājumiem un / vai bērna ievainošanas, lietotājs ir atbildīgs par regulāru transportlīdzekļa pārbaudi un apkopi.
- » Ratiņu roktura caurules augstuma regulēšana. Lai mainītu ratiņu roktura caurules augstumu, nospiediet un turiet roktura caurules pogas abās pusēs, noregulējiet vajadzīgo augstumu un atlaidiet abas pogas.
- » Pēc roktura caurules augstuma regulēšanas turiet to augšējā daļā un divreiz pārvietojiet uz augšu un uz leju, lai pārliecinātos, vai slēdzenes darbojas atbilstošā veidā.
- » Ja ratiņi ir aprīkoti ar noņemamām roktura caurulēm, mainot roktura caurules stāvokli, pārliecinieties, vai bērna rokas neatrodas ārpus sēdekļa iekšējās malas.
- » Pēc katras roktura caurules stāvokļa maiņas pārbaudiet pašnostiprināšanas bloķēšanas mehānisma efektivitāti, vairākas reizes pavelkot roktura cauruli uz augšu un uz leju.
- » Mainot atzveltnes vai gultiņas stāvokli, pievērsiet uzmanību bērna rokām un galvai.
- » Kāju balstu regulēšana. Bērnu ratiņi ir aprīkoti ar regulējamu kāju balstu. Lai nolaistu kāju balstu, nospiediet regulēšanas pogas abās kāju balsta daļās, noregulējiet kāju balsta pozīciju un atlaidiet pogas. Kāju balsts ir aprīkots ar automātisko bloķēšanas sistēmu, kurai, paceļot kāju balstu, nav jāspiež pogas. daļā.
- » Neļaujiet bērnam stāvēt vai sēdēt uz kāju balsta. Lielākā svara ietekme uz kāju balstu var sabojāt bloķēšanas mehānismus. Kad bērns patstāvīgi var iekāpt un izkāpt no ratiņiem, novietojiet kāju balstu vizuālākajā pozīcijā.
- » Atzveltnes regulēšana ratiņu versijā. Ratiņu sēdekļi ir aprīkoti ar regulējamu atzveltni. Lai nolaistu atzveltni pus-sēdus vai guļus pozīcijā, velciet uz augšu rokturi atzveltnes aizmugurējā daļā, izvēlieties vajadzīgo pozīciju un atlaidiet rokturi. Atzveltnē ir aprīkota ar automātisko bloķēšanas mehānismu, kas ir aprīkots ar atsperi, un, paceļot atzveltni no guļus pozīcijas uz pozīciju sēdus, nav nepieciešams pacelt

rokturi. Katru reizi, mainot atzveltnes pozīciju, pārbaudiet, vai stiprinājuma sistēma darbojas atbilstošā veidā, un attiecīgi pielāgojiet jostas stiprinājumus, lai tie atbilstu jūsu mazuļa jaunajai pozīcijai.

- » Nepaceliet un nepārnēsājiet ratiņus, turot tos pēc kapuces, atzveltnes augšējās malas, kāju balsta vai citām ratiņu detaļām. Nelietojiet ratiņus uz pakāpieniem vai neatstājiet ratiņus kopā ar bērnu uz nelīdzenas virsmas (pat ar aktivizētām bromzēm), jo tie var apgāzties. Ratiņu pārnēsāšana pa kāpnēm uz augšu vai uz leju, ratiņu novietošana autobusā utt. jāveic ar citas personas palīdzību. Vispirms šķērso šķērsli tā persona, kurai ir ratiņu roktura caurule, vienlaikus turot ratiņu roktura cauruli, un persona, kas tur ratiņu otru galu. Ratiņi ir jāsatver pēc stabila elementa, piemēram, pēc fiksēta vertikāla rāmja. Kad ratiņi tiek nesti lejā pa kāpnēm, pirmais nokāpj tas, kurš palīdz.
- » Kad ratiņi netiek izmantoti, bromzēm vienmēr jābūt aktivizētām. Lai izmantotu bromzi, ir jāsamazina bromžu līmenis un jāpārbauda bromžu efektivitāte. Pirms ratiņu pārvietošanas pārliecinieties, ka ratiņu riteņi nav nofiksēti. Ratiņu pārvietošana ar bloķētiem riteņiem var sabojāt bloķēšanas elementus.
- » Braucot pa dažāda līmeņa šķēršļiem (piemēram, augstiem sliekšņiem), satuviniet abus riteņus (no vienas ass), vienlaikus nospiežot roktura cauruli, kad šķērsojat šķēršļus ar priekšējiem riteņiem. Braucot garām augstākiem šķēršļiem (piemēram, ietves apmalēm), novietojiet bērnu ratiņu priekšējos riteņus nedaudz virs šķēršļu virsmas līmeņa, vienlaikus nospiežot roktura cauruli uz leju un velkot to ķermeņa virzienā, pārvietojiet aizmugurējo riteņi tuvāk šķērslim, nolaidiet priekšējos riteņus un pārvietojiet aizmugurējos riteņus pāri šķērslim, paceļot ratiņus uz augšu. Jebkura sadursme ar cietiem priekšmetiem vai virsmām var sabojāt (deformēt) elementus, kas savieno rāmi, vai sabojāt rāmja elementus, kas novedis pie konstrukcijas deformācijas.
- » Pie ratiņu rāmja piestiprinātā groza slodze nedrīkst pārsniegt 3 kg. Pie ratiņu roktura pakārtās somas pieejamā slodze ir 1 kg. Ratiņu kabatas ir paredzētas tikai dekoratīviem nolūkiem, katrā kabatā nedrīkst ievietot priekšmetus, kuru kopējais svars pārsniedz 0,15 kg, vai visām kabatām ir 0,35 kg.
- » Lai izvairītos no plankumu rašanās vai izstrādājuma novārtīšanas, kas var rasties, piemēram, pēc nokrišņiem, aizsargājiet bērnu ratiņus pret pārmērīgu mitrumu, izmantojot lietus pārklāju. Bērnu ratiņus ieteicams aizsargāt pret spēcīgas saules gaismas iedarbību. Izgatavotājs nevar uzņemt atbildību par ratiņu pārsega nolietošanos, kas rodas šo ieteikumu neievērošanas dēļ.
- » Glabājiet ratiņu elementus tīrus. Netīrumi uz rāmja jānoņem ar mitru sūkli un pēc tam jānoslauka ar sausu kokvilnas drānu. Tīrīšanai nelietojiet kodīgus, asus vai cietus līdzekļus, jo tie var sabojāt ratiņu elementus (krāsas maiņa, skrambas utt.). Ieteicams izmantot tīrīšanas līdzekļus, kas piemēroti konkrētai virsmai. Ja uz ratiņu pārsega ir netīrumi, notīriet tos ar mitru sūkli, pievienojot maigu tīrīšanas līdzekli. Izvairieties no pārmērīgas ratiņu sēdekļa, somiņas apakšā un papildu guļammaisa apakšas (maināmas funkcijas ratiņi) mitrināšanas, jo tas var izraisīt gredzena elementu deformāciju.
- » Neļaujiet bērnam stāvēt uz sēdekļa, jo tas var ietekmēt ratiņu stabilitāti un izraisīt ratiņu apgāšanos. Lai palielinātu produkta stabilitāti tā lietošanas laikā, pārliecinieties, ka mazulis ir novietots kulbiņas vai sēdekļa centrālajā.

- » Lai izvairītos no plankumu rašanos vai izstrādājuma novārtīšanas, kas var rasties, piemēram, pēc nokrišņiem, aizsargājiet bērnu ratiņus pret pārmērīgu mitrumu, izmantojot lietus pārklāju. Bērnu ratiņus ieteicams aizsargāt pret spēcīgas saules gaismas iedarbību. Izgatavotājs nevar uzņemties atbildību par ratiņu pārsega nolietošanos, kas rodas šo ieteikumu neievērošanas dēļ.
- » Pirms riteņu uzstādīšanas un demontāžas paceliet bremžu bloķēšanas mehānismu uz augšu (atbloķējiet bremzes). Mēs iesakām ievērot ratiņu asu tīrību. Ja ratiņi ir aprīkoti ar riteņiem bez gultņiem, lai samazinātu berzi caurules galos, ratiņu asis jāeļļo ar biezu smēru (smērvielu, mašīnu eļļu). Modeļos, kas aprīkoti ar riteņiem ar gultņiem, asis ieteicams eļļot ar smērvielu, piem. WD40. Ja ratiņi ir aprīkoti ar piepūšamajiem riteņiem, mēs iesakām uzturēt ratu iekšējo spiedienu nemainīgā līmenī, kas nepārsniedz 0,6 bar vai uz riteņa rāmī norādītās vērtības.
- » **BRĪDINĀJUMS:** Nedrīkst izmantot piederumus vai rezerves daļas, kuras ražotājs vai izplatītājs nav apstiprinājis.
- » Šasijai, kas ir aprīkota ar automašīnas sēdekļa stiprināšanas atverēm, nedrīkst izmantot savienotājus, kurus ražotājs vai izplatītājs nav apstiprinājis. Izgatavotājs neatbild par sekām, kas radušās, uzstādot citus auto sēdekļus uz šasijas, kurām viņš nav devis apstiprinājumu. Autosēdekļu saraksts ar piemērotiem apstiprinājumiem ir publicēts ražotāja vietnē.
- » Nedrīkst izmantot automašīnas sēdekļa adapterus, kurus ražotājs vai izplatītājs nav apstiprinājis. **BRĪDINĀJUMS:** pirms lietošanas pārbaudiet, vai automašīnas sēdekļa stiprināšanas ierīces ir pareizi nostiprinātās.
- » Nelietojiet automašīnas sēdekļa un šasijas kombināciju kā vietu, kur bērns ilgstoši gulj. Ja jūsu bērns vēlas gulēt, vienmēr izmantojiet kulbiņu vai bērnu gultiņu. Bērnu ratiņi tiek izmantoti kā transportlīdzeklis, izstrādājumu nedrīkst šūpot. Pārvietojot ratiņus nelielos attālumos uz priekšu un atpakaļ, priekšējie riteņi jānostiprina fiksētā stāvoklī. Griezes mehānisma tehnoloģiskais vaļīgums var izraisīt virziena maiņu, kas neliecina par produkta nepilnībām.
- » Izgatavotājs iesaka automašīnas sēdekli uzstādīt pretējā virzienā braukšanas virzienam (ar seju pret vienu no vecākiem), tas ļauj vieglāk novērot bērnu automašīnas sēdekli.
- » Bērnu ratiņiem, kas konstruēti, lai būtu piemēroti no dzimšanas brīža, ieteicams vienmēr novietot bērnu guļus.
- » Pārnēsājamām gultiņām, kas aprīkotas ar siksnu rokturiem, lietošanas laikā vienmēr jāpārliedz, vai pārnēsāšanas rokturi atrodas ārpus. Pārnēsājamām gultiņām, kas aprīkotas ar augšējo centrālo pārnēsāšanas rokturi; pirms pacelšanas ir jāpārliedz, vai rokturis ir novietots perpendikulāri kulbiņai, un slēdzene tās pamatnē ir ieslēgta un darbojas atbilstoši kārtībā.
- » Garantijas un pēcgarantijas remontam izmantojiet tikai tās detaļas, kuras piegādā vai rekomendē attiecīgais ražotājs vai izplatītājs. Bērnu ratiņus nedrīkst izmantot, ja ir pamanīti jebkādi defekti vai kāds no elementiem ir bojāts.
- » Sēdekļa bloka pārsegs ir konstruēts, izmantojot elastīgas tērauda sloksnes, kuras spiediena ietekmē var deformēties. Tā rezultātā var samazināties atstarpes starp iekšējiem metāla stieņiem un citām sistēmas daļām un radīt tādus bojājumus kā auduma plīsumi. Deformācijas gadījumā jāveic korekcija, viegli saspiežot un izstiepjot iekšējos metāla stieņus.
- » Ceļojumu sistēmās, kas aprīkotas ar atgriezenisku sēdekļa bloku, kamēr tajā atrodas

mazulis, nav atļauts mainīt tā stāvokli.

- » Pēc šasijas atlocīšanas pārbaudiet, vai priekšējie un aizmugurējie riteņi ir pareizi uzstādīti, mēģinot tos atvienot no šasijas, nespiežot pogu, kas atslēdz bloķēšanas mehānismu.
- » Pēc šasijas salocīšanas pārbaudiet, vai drošības mehānisms (drošības skava), kas nodrošina šasijas patstāvīgu izplešanos, darbojas / ir pareizi nostiprināts. Ja drošības skava nav pareizi piestiprināta, tā ir jāpielāgo manuāli.
- » Saliekot un iztaisnojot šasiju, kā arī montāžas laikā, lai izvairītos no ievainojumiem, turiet rokas drošā attālumā no kustīgajām detaļām.
- » Papildu stiprinājumu fiksācijai ir paredzēti "D" gredzeni. Tie atrodas uz esošajiem stiprinājumiem tuvu tai vietai, kur tie stiprinās pie sēdekļa rāmja. "D" gredzeni ir paredzēti, lai vajadzības gadījumā uzstādītu atsevišķu stiprinājumu. Stiprinājumu nomainīšanas detaļas var iegādāties tieši no izplatītāja.
- » Stāvbremzes aktivizēšana.
- » Nospiediet pedāli, lai aktivizētu stāvbremzi.
- » Nospiediet un atlaidiet, lai atslēgtu stāvbremzi.
- » BRĪDINĀJUMS: Nekad neatstājiet transportlīdzekli bez uzraudzības, pirms tam pilnībā neaktivizējot stāvbremzi.
- » Nenovietojiet bērnu gultiņu pie atklātas uguns vai cita spēcīga karstuma avota. Regulāri jāpārbauda rokturi un gultiņas dibens, vai nav bojājumu un nodiluma pazīmju. Ja pārnēsājamo gultiņu paredzēts lietot kopā ar statīvu, tad jāpārbauda, vai statīvs ir piemērota izmēra, lai tajā varētu ievietot gultiņas pamatni. Bērna galvai, kas atrodas bērnu gultiņā, nekad nevajadzētu būt zemāk par bērna ķermeni.
- » Šajā tekstā uzmanieties par bērna sītienu briesmām, piemēram, noliekot uz grīdas, ieejot durvīs.
- » Nepalieciet neko gultiņā, kas varētu radīt aizrīšanās briesmas, piemēram, neelastīgas rotaļlietas, spilveni...
- » Nelieciet gultiņu tuvu citam produktam, kas varētu radīt nosprādzēšanas briesmas, piemēram, virves, aizkari / aizkari...
- » Lūdzu, atcerieties, ka pārkaršana var apdraudēt jūsu bērna dzīvību! Ņemiet vērā apkārtējās temperatūras un bērna apģērbu, un pārliedzieties, ka viņam nav ne par aukstu, ne par karstu.
- » Lūdzu, atcerieties jautāt veselības profesionāļa padomu par drošu miegu.
- » Nekad nepaceliet vai nenolaidiet kulbiņu vai sēdekļa bloku, ja tajā ir bērns.

AVISOS!

- » Nunca deixe a criança abandonada.
- » Verifique se todos os pontos de encaixe estão bem fixos antes de usar o produto.
- » Para evitar ferimento assegure-se que o seu filho está afastado, do produto, enquanto o abre e fecha.
- » Não deixe que o seu filho brinque com este produto. Utilize sempre o cinto de segurança a partir do momento em que o seu filho se consiga sentar sem ajuda.
- » Este assento não é adequado para um bebé com idade inferior a 6 meses. Utilize o cinto de segurança sempre que o seu filho estiver no assento.
- » Verifique se alfofa, o assento reversível ou o assento auto estão correctamente encaixados antes de usar o produto.
- » Não é conveniente utilizar este produto aquando da realização de patinagem ou corrida.
- » Pode montar o berço de transporte, a unidade do assento ou a cadeira auto na armação do carrinho. O chassi Venicci Upline 2 é totalmente compatível com: Unidade de assento Venicci Upline 2 e Venicci Upline 2 CarryCot.
- » Este produto é adequado apenas para crianças que não conseguem se sentar sozinhas.
- » Use apenas sobre uma superfície firme, horizontal, nivelada e seca.
- » O carrinho do carrinho não deve ser usado assim que a criança conseguir sentar-se sozinha, rolar e empurrar-se apoiada nas mãos e nos joelhos. Peso máximo da criança: peso 9 kg.
- » Verifique se o corpo do carrinho ou a unidade do assento ou os dispositivos de fixação do assento do carro estão correctamente engatados antes do uso.
- » Sempre use o sistema de retenção.
- » Sistema de travamento de dois pontos para alfofa, assento e assento de carro. O mecanismo de bloqueio é acionado automaticamente quando colocado nas ranhuras da alfofa, unidade de assento ou adaptadores de assento de carro
- » Botões para desativar o sistema de travamento. Para retirar a alfofa, a unidade do assento, a cadeirinha, antes de levantá-la pressione os botões, à esquerda e à direita do chassi. Antes de reutilizar o produto, certifique-se de que o sistema de travamento está funcionando correctamente levantando a parte destacável.
- » Não deixe outras crianças brincarem sozinhas perto do berço.
- » Não use se alguma parte do berço estiver quebrado, rasgado ou faltando.
- » Nunca use este produto em um suporte.
- » Peso e idade máximos da criança para a qual o veículo é adequado: até 22 kg ou 4 anos, o que ocorrer primeiro.



PT AVISOS!

- » Antes de usar, leia atentamente o seguinte manual e guarde-o. A segurança da criança pode ficar comprometida se as recomendações incluídas neste manual não forem seguidas. O fabricante do carrinho não é responsável pelos efeitos do não cumprimento das seguintes notas, avisos e recomendações, incluídos na documentação do produto.
- » Após a compra, certifique-se de manter corretamente todos os componentes especificados pelo fabricante neste guia manual. Este carrinho requer manutenção regular por parte do utilizador. É responsabilidade do utilizador realizar a inspeção de rotina e a manutenção do carrinho de bebé para evitar danos ao produto e/ou ferimentos na sua criança.
- » Ajuste do encosto na versão carrinho. O assento do carrinho está equipado com um encosto ajustável. Para baixar o encosto até ficar meio sentado ou deitado, puxe a alça na parte traseira do encosto para cima, selecione a posição desejada e solte a alça. O encosto está equipado com um mecanismo de travagem automático com mola, que não exige que a alça seja levantada ao levantar o encosto da posição deitada para a posição sentada. De cada vez que mudar a posição do encosto, verifique se o sistema de fixação está a funcionar corretamente e ajuste as configurações do arnês de acordo com a nova posição do bebé.
- » Não permita que a criança suba no assento, já que isso pode prejudicar a estabilidade do carrinho e fazer com que ele caia. Para aumentar a estabilidade do produto durante o uso, certifique-se de que o bebé fique posicionado na parte central da alcofa ou do assento.
- » Não transporte o carrinho segurando-o pela cobertura, a borda superior do encosto, o apoio para os pés ou o elemento que cria a versão do carrinho. Não use o carrinho em degraus nem deixe o carrinho com a criança em superfícies irregulares (mesmo com o travão accionado), pois ele pode cair. O transporte do carrinho para cima ou para baixo em escadas, a colocação do carrinho no autocarro, etc. deve ser feito com a ajuda de outra pessoa. A pessoa que segura o tubo do cabo do carrinho passa primeiro pelo obstáculo enquanto segura o tubo do cabo do carrinho, e a pessoa que segura na outra extremidade do carrinho deve agarrar o carrinho por um elemento estável, como uma barra vertical fixa da estrutura. Ao carregar o carrinho para baixo, a pessoa que está a ajudar desce primeiro.
- » Ajuste de altura do punho do carrinho. Para alterar a altura da alça do carrinho, pressione e segure o botão, selecione a altura desejada e solte os dois botões. Depois de ajustar a altura do cabo, segure-o na parte superior e mova-o duas vezes para cima e para baixo para garantir que as travas estão a funcionar corretamente.
- » No caso de carrinhos equipados com manípulo transferível, certifique-se de que as mãos da criança não estão fora do contorno interno do assento ao mudar a posição do manípulo. Após cada alteração da posição do tubo da alça, verifique a eficácia do mecanismo de travagem e de autotravagem puxando o tubo da alça para cima e para baixo várias vezes. Ao alterar a posição do encosto ou do berço, preste atenção às mãos e à cabeça da criança. Ajuste do assento. O carrinho está equipado com apoios ajustáveis para os pés. Para baixar o apoio para os pés, pressione os botões de ajuste em ambos os lados do apoio para os pés, ajuste a posição do apoio para os pés e solte os botões. O apoio para os pés está equipado com um sistema de travagem automático que não requer que os botões sejam libertados ao levantar o apoio para os pés.
- » Não permita que a criança fique de pé ou que se sente no apoio para os pés. O impacto de uma carga maior no apoio para os pés pode causar danos aos mecanismos de travagem. Quando a criança entrar e sair do carrinho de forma independente, coloque o apoio para os pés na posição inferior.
- » Mantenha os elementos do carrinho limpos. A sujidade da moldura deve ser

removida com uma esponja húmida e, em seguida, limpa com um pano de algodão seco. Não use produtos cáusticos, cortantes ou agressivos para limpar, pois podem ser prejudiciais para os elementos do carrinho (descoloração, arranhões, etc.). Recomenda-se o uso de agentes de limpeza apropriados para esta superfície em particular. Caso haja alguma sujidade na capa do carrinho, remova-a com o auxílio de uma esponja húmida, acrescentando um detergente delicado. Evite molhar demais o assento do carrinho, a parte inferior da cama de transporte e a parte inferior do saco de dormir adicional (carrinho de bebé com função mutável), pois isso pode causar deformação nos elementos do anel da longarina.

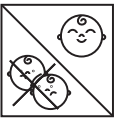
- » Para evitar escorridos ou manchas que podem ocorrer após a chuva, por exemplo, proteja o carrinho contra o encharcamento usando uma capa de chuva que cubra o carrinho todo. Recomenda-se a proteção do carrinho contra os efeitos da luz solar intensa. O fabricante não pode aceitar a responsabilidade pela deterioração da capa do carrinho, que resulte do não cumprimento destas recomendações.
- » Antes de montar e desmontar as rodas, levante o mecanismo de travagem do travão (travão não bloqueado). Recomendamos que os eixos do carrinho sejam mantidos limpos. Quando os carrinhos são equipados com rodas sem rolamentos, os eixos dos carrinhos devem ser mantidos lubrificados com um agente espesso (graxa, óleo de máquina) para reduzir o atrito nas extremidades do tubo. Em modelos equipados com rodas com rolamentos, é recomendado lubrificar os eixos com um agente lubrificante, por exemplo, WD40. AVISO: Não devem ser usados acessórios ou peças sobressalentes que o fabricante ou distribuidor não tenham aprovado.
- » Após desdobrar o chassi, verifique se as rodas dianteiras e traseiras estão encaixadas corretamente, tentando destacá-las do chassi sem pressionar o botão que destrava o mecanismo de travagem.
- » Para chassis equipados com orifícios de montagem para o assento do carro - ão devem ser usados conectores que o fabricante ou distribuidor não tenham aprovado. O fabricante não se responsabiliza pelas consequências da instalação de outras cadeiras auto no chassis que não tenham a sua homologação. A lista de assentos de carro com aprovações adequadas pode ser encontrada no site do fabricante.
- » Não devem ser usados adaptadores para a cadeira de carro que o fabricante ou distribuidor não tenham aprovado. AVISO: Verifique se os dispositivos de fixação da cadeira de carro estão corretamente engatados antes do uso.
- » Ao dobrar e desdobrar o chassi e durante a fase de montagem, mantenha as mãos a uma distância segura das peças móveis para evitar ferimentos. Não use a combinação da cadeirinha e do chassi como um lugar para a criança dormir por longos períodos de tempo. Se o seu filho quiser dormir, use sempre o berço ou berço portátil. O carrinho é utilizado como meio de transporte, não balance o produto. Se estiver a mover o carrinho para frente e para trás em distâncias curtas, as rodas dianteiras devem ser travadas na posição fixa. A qualidade móvel tecnológica do mecanismo de giro, pode causar uma mudança de direção, o que não prova defeito do produto.
- » O fabricante recomenda colocar a cadeirinha no sentido oposto ao da marcha (voltada para os pais), para facilitar a observação da criança na cadeirinha.
- » Para o carrinho projetado desde o nascimento para a frente, recomenda-se que a criança fique sempre deitada.
- » Para alcofas equipadas com arnês, certifique-se sempre de que, se o arnês não estiver em uso, seja removido da alcofa. Os carrinhos equipados com alça de transporte central superior; antes de levantar, certifique-se de que a alça está posicionada perpendicularmente à alcofa e que a trava na sua base está ligada e a funcionar corretamente.
- » Para qualquer garantia e reparos pós-garantia, use apenas as peças fornecidas ou recomendadas pelo fabricante ou distribuidor relevante. O carrinho não deve ser utilizado se for constatado algum tipo de defeito ou se algum dos elementos estiver danificado.
- » A cobertura da unidade do assento foi projetada com tiras flexíveis de aço, que sob

a influência da pressão podem ser deformadas. Isto pode resultar na diminuição do espaçamento entre as barras de metal internas e outras partes do sistema e causar danos, como o rasgo do tecido. Em caso de deformação deve-se fazer uma correção apertando suavemente, esticando as barras metálicas internas.

- » No caso de sistemas de viagem equipados com assentos reversíveis, não é permitido mudar de posição enquanto o bebê estiver nele.
- » Os anéis ,D' são fornecidos para a fixação de um arnês adicional. Estão localizados no arnês existente, perto de onde ele está preso à estrutura do assento. Os anéis ,D' são fornecidos para instalar um arnês separado, se necessário. O arnês de reposição pode ser adquirido diretamente do distribuidor.
- » Operar o travão de estacionamento. Pressione o pedal para o engatar. Pressione e solte para o desengatar. AVISO: Nunca saia do veículo sem primeiro engatar totalmente o travão de estacionamento.
- » Sistema de travagem de dois pontos para alfofa, assento e assento de carro. O mecanismo de bloqueio é acionado automaticamente quando colocado nas ranhuras da alfofa, unidade de assento ou adaptadores do assento do carro.
- » Botões para desativar o sistema de bloqueio. Para retirar a alfofa, a unidade do assento, a cadeirinha, antes de a levantar pressione os botões, à esquerda e à direita do chassi. Antes de reutilizar o produto, certifique-se de que o sistema de travagem está a funcionar corretamente levantando a parte destacável.
- » A carga do cesto preso à estrutura do carrinho não deve ultrapassar 3 kg. A carga acessível do saco pendurado na pega do carrinho é de 1 kg. Os bolsos do carrinho são apenas para fins decorativos, nenhum objeto com peso total superior a 0,15 kg deve ser colocado dentro de cada bolso ou peso de 0,35 kg para todos os bolsos.
- » Não coloque o berço perto de uma lareira ou outra fonte de forte calor. As alças e o fundo do berço de transporte devem ser inspecionados regularmente quanto a sinais de danos e desgaste. Se a cabeceira se destinar a ser usada com uma estante, deve-se verificar se a estante tem o tamanho apropriado para acomodar a base da cabeceira. A cabeça da criança no berço nunca deve ficar mais baixa do que o corpo da criança.
- » Esteja ciente do perigo de bater no bebê, por exemplo, ao colocá-lo no chão, ao passar por portas.
- » Não deixe nada no berço que possa representar perigo de sufocamento, por exemplo, brinquedos não rígidos, almofadas...
- » Não coloque o berço perto de outro produto que possa representar perigo de estrangulamento, por exemplo, cordas, cordões de persianas/cortinas...
- » Por favor, lembre-se de que o superaquecimento pode colocar em perigo a vida do seu filho! Leve em consideração a temperatura ambiente e a roupa da criança e certifique-se de que ela não esteja nem muito fria nem muito quente.
- » Por favor, lembre-se de pedir a orientação de um profissional de saúde sobre o sono seguro.
- » Nunca levante ou baixe a alfofa ou a cadeira com o bebê lá dentro.

VAROITUS!

- » Älä koskaan jätä lasta ilman valvontaa.
- » Tarkasta ennen käyttöä, että kaikki lukituslaitteet on lukittu.
- » Pidä lapsi poissa tuotteen luota, kun tuote taitetaan.
- » Kasaan tai laitetaan käyttökuntoon, jotta lapsi ei loukkaannu.
- » Älä anna lapsen leikkiä tällä tuotteella.
- » Käytä turvalajaita heti, kun lapsi osaa istua ilman apua/
- » Tämä ratasistuimien ei sovellu alle puolivuotiaille lapsille.
- » Käytä aina turvalajaita.
- » Tarkasta ennen käyttöä, että vaunukopan, ratasistuimen tai turvaistuimen kiinnityslaitteet on aktivoitu oikein.
- » Tämä tuote ei sovellu työnnettäväksi juosten tai rullaluistellen.
- » Voit koota kantolauttaan, istuinyksikön tai turvaistuimen rattaiden runkoon. Venicci Upline 2 -runko on täysin yhteensopiva seuraavien kanssa: Venicci Upline 2 -istuinyksikkö ja Venicci Upline 2 CarryCot.
- » Käytä aina turvajärjestelmää.
- » Tämä tuote sopii vain lapselle, joka ei voi istua ilman apua.
- » Käytä vain tukevalla, vaakasuoralla, tasaisella ja kuivalla alustalla.
- » Lastenvaunun runkoa ei saa käyttää heti, kun lapsi pystyy istumaan yksin, kaatumaan ja voi työntää itsensä käsiin ja polviin. Lapsen enimmäispaino: paino 9 kg.
- » Tarkista ennen käyttöä, että vaunun runko, istuinyksikkö tai turvaistuimen kiinnityslaitteet ovat kunnolla kiinni.
- » Painikkeet lukituksen poistamiseksi käytöstä. Irrota kantolaukku, istuinyksikkö ja turvaistuin ennen rungon nostamista painamalla rungon vasemmalla ja oikealla puolella olevia painikkeita. Varmista ennen tuotteen uudelleenkäyttöä, että lukitusjärjestelmä toimii oikein nostamalla irrotettavaa osaa.
- » Kahden pisteen lukitusjärjestelmä vaunun, istuinyksikön ja turvaistuimen kanssa.
- » Lukitusmekanismi laukeaa automaattisesti, kun se asetetaan kantokassiin, istuinyksikön tai turvaistuimen sovittimien aukkoihin.
- » Älä anna muiden lasten leikkiä ilman valvontaa kantolaukun lähellä.
- » Älä käytä, jos jokin kantosängyn osa on rikki, repeytynyt tai puuttuu.
- » Älä koskaan käytä tätä tuotetta jalustalla.
- » Lapsen enimmäispaino ja ikä, jolle ajoneuvo sopii: enintään 22 kg tai 4 vuotta sen mukaan, kumpi tulee ensin.



- » Lue seuraava käyttöohje huolellisesti ennen käyttöä ja pidä se säilytettynä. Lapsen turvallisuus voi vaarantua, jos tämän ohjeen suosituksia ei noudateta. Lastenvaunujen valmistaja ei ole vastuussa seurauksista, jotka aiheutuvat siitä, että tuotedokumentaatiossa olevia huomautuksia, varoituksia ja suosituksia ei noudateta.
- » Varmista oston jälkeen, että huollat kaikkia valmistajan tässä käyttöoppaassa määrittelemiä osia. Tämä vaunu vaatii käyttäjältään säännöllistä huoltoa. Käyttäjän vastuulla on suorittaa lastenvaunun rutiinitarkastukset ja huollot tuotteen vahingoittumisen ja/tai lapsesi loukkaantumisen välttämiseksi.
- » Selkänöjan säätö ratasversiossa. Lastenrattaiden istuin on varustettu säädettävällä selkänöjalla. Laske selkänöja puolittaiseen istuma- tai makuuasentoon vetämällä selkänöjan takana olevaa kahvaa ylöspäin, valiten haluamasi asennon ja vapauttaen kahvan. Selkänöja on varustettu jousikuormitetulla automaattisella lukitusmekanismilla, joka ei vaadi kahvan nostamista, kun selkänöja nostetaan makuuasennosta istuma-asentoon. Aina kun vaihdat selkänöjan asentoa, tarkista, että kiinnitysjärjestelmä toimii oikein ja säädä valjaiden asetukset vastaavasti vauvasi uuteen asentoon.
- » Älä anna lapsen seisoa istuimella, koska se voi aiheuttaa epävakautta rattaissa ja saattaa kaataa rattaat. Tuotteen vakauden varmistamiseksi käytön aikana on varmistettava, että vauva on sijoitettu kantolaukun tai istuinyksikön keskiosaan.
- » Älä kannu vaunua pitäen kiinni hupusta, selkänöjan yläreunasta, jalkatuesta tai muista epävakaista osista. Älä käytä lastenvaunua portaissa eläkö jätä lastenvaunuja lapsen kanssa epätasaisille alustoille (vaikka jarru olisikin päällä), koska se voi karata. Lastenvaunun kantaminen portaissa ylös tai alas, lastenvaunun nostaminen linja-autoon jne. Tulisi suorittaa toisen henkilön avustamana. Henkilö, joka pitää kiinni lastenvaunun kahvasta, kulkee ensin esteen yli ja sen, joka pitää kiinni vaunun toisesta päästä, tulisi tarttua lastenvaunuun tukevasta elementistä, kuten rungon kiinteästä pystypalkista. Kun kuljetat rattaita rappuja alaspäin, avustava henkilö kulkee alempana.
- » Lastenvaunun kahvan korkeuden säätö. Muuta vaunun kahvan korkeutta pitämällä painiketta painettuna, valitsemalla haluamasi korkeus ja vapauttamalla molemmat painikkeet. Kun olet säätänyt kahvan korkeuden, pidä sitä ylhäällä ja nytkäytä sitä kahdesti ylös ja alas varmistaaksesi, että lukot toimivat oikein.
- » Älä anna lapsen seisoa tai istua jalkatuella. Painavan kuorman vaikutus jalkatukeen voi vahingoittaa lukitusmekanismeja. Kun lapsi tulee itsenäisesti sisään ja ulos rattaista, aseta jalkatuki ala-asentoon.
- » Turvaistuimen sovittimia, joita valmistaja tai maahantuoja ei ole hyväksynyt, ei saa käyttää. VAROITUS: Tarkista ennen käyttöä, että turvaistuimen kiinnityslaitteet ovat kunnolla kiinni.
- » Kun kyseessä on siirrettävillä kahvapatkilla varustettu lastenvaunu, varmista, että lapsen kädet eivät ole istuimen sisäpuolisen reunan ulkopuolella, kun vaihdat kahvapatken asentoa. Jokaisen kahvapatken asennon säätämisen jälkeen tarkista itsekiinnittyvän lukitusmekanismin toimivuus vetämällä kahvan putkesta useita kertoja ylös ja alas. Kun vaihdat selkänöjan tai istuimen asentoa, kiinnitä huomiota lapsen käsiin ja päähän. Jalkatuen säätö; Vaunussa on säädettävä jalkatuki. Laske

- jalkatuki painamalla jalkatuen molemmilla puolilla olevia säätöpainikkeita, säädä jalkatuen asento ja vapauta painikkeet. Jalkatuki on varustettu automaattisella lukitusjärjestelmällä, joka ei vaadi painikkeiden vapauttamista jalkatukea nostettaessa.
- » Pidä vaunun osat puhtaina. Rungon liat tulee poistaa kostealla sienellä ja pyyhkiä sitten kuivalla puuvillakankaalla. Älä käytä puhdistukseen syövyttäviä, teräviä tai kovia aineita, koska ne voivat vahingoittaa lastenvaunun osia (värimuutoksia, naarmuja jne.). On suositeltavaa käyttää tietyille pinnalle sopivia puhdistusaineita. Jos vaunun kuomussa on likaa, poista se kostealla sienellä käyttäen herkkää puhdistusainetta. Vältä lastenrattaan istuimen, kantosängyn pohjan ja ylimääräisen makuupussin (vaihdettavissa olevan lastenvaunun) pohjan kastumista, koska se voi aiheuttaa rengasrengasosien muodonmuutoksia.
 - » Esimerkiksi sateen jälkeen mahdollisesti esiintyvien tahrojen välttämiseksi turvaa lastenvaunun liiallinen kastuminen käyttämällä vaunun täys-sadesuojaa. Vaunu on suositeltavaa suojata voimakkaalta auringonvalolta. Valmistaja ei voi ottaa vastuuta lastenvaunun kuomun pilaantumisesta, joka johtuu näiden suositusten noudattamatta jättämisestä.
 - » Nosta jarrun lukitusmekanismi ylös ennen pyörien asentamista ja purkamista. Suosittelemme, että vaunun akselit pidetään puhtaina. Jos vaunuissa on pyörät ilman laakereita, vaunun akselit on pidettävä voideltuina paksulla aineella (vaseliini, moottoriöljy) putken päiden kitkan vähentämiseksi. Laakereilla varustetuilla pyörillä varustetuissa malleissa on suositeltavaa voidella akselit voiteluaineella esim: WD40. VAROITUS: Varusteita tai varaosia, joita valmistaja tai maahantuoja ei ole hyväksynyt, ei saa käyttää.
 - » Alustassa, jossa on turvaistuimen kiinnitysreiät, ei saa käyttää mitään liittimiä, joita valmistaja tai maahantuoja ei ole hyväksynyt. Valmistaja ei ole vastuussa seurauksista, jotka aiheutuvat muiden turvaistuinten asentamisesta alustalle, jotka eivät ole hyväksytyjä. Luettelo turvaistuimista, joissa on asianmukaiset hyväksynnät, on julkaistu valmistajan verkkosivustolla.
 - » Pidä kätesi turvallisella etäisyydellä liikkuvista osista rungon kokoontaittamisen ja avaamisen sekä kokoamisen aikana loukkaantumisten välttämiseksi. Älä käytä turvaistuimen ja alustan yhdistelmää lapsen nukkumispaikkana pitkiä aikoja. Jos lapsesi haluaa nukkua, käytä aina kantosänkyä tai pinnasänkyä. Vaunua käytetään kuljetusvälineenä, älä heiluta tuotetta. Kun siirät lastenvaunuja eteen- ja taaksepäin lyhyitä etäisyyksiä, etupyörät tulee lukita kiinteään asentoon. Pyörimismekanismiin löysyys voi aiheuttaa suunnanmuutoksen, joka ei ole suotuisaa tuotteen kestävyydelle.
 - » Valmistaja suosittelee, että turvaistuin asennetaan vastakkaiseen suuntaan menosuuntaan nähden (vanhempaan päin), mikä helpottaa lapsen tarkkailua turvaistuimessa. Vaunuille, jotka on suunniteltu käytettäväksi syntymästä eteenpäin, on suositeltavaa, että lapsi on aina makuuasennossa.
 - » Jos kantokoppi on varustettu valjailla, varmista aina, että jos valjaat eivät ole käytössä, ne on irrotettava kantolaukusta. Kantokopit, joissa on kahva keskellä; ennen nostamista varmista, että kahva on kohtisuorassa kantolaukkuun nähden ja että alustan lukko on päällä ja toimii oikein.
 - » Käytä takuun aikaisiin ja takuun jälkeisiin korjauksiin vain asianomaisen valmistajan tai maahantuojan toimittamia tai suosittelemia osia. Lastenvaunuja ei tule käyttää, jos

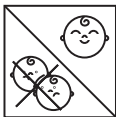
on havaittu jokin vika tai joku osa on vaurioitunut.

- » Istuinyksikön kuomu on suunniteltu joustavilla teräsnauhoilla, jotka voivat paineen vaikutuksesta muuttaa muotoaan. Tämä voi vähentää sisäisten metallitankojen ja muiden osien välistä etäisyyttä ja johtaa vaurioihin, kuten kankaan repeytymiseen. Muodonmuutoksen ilmetessä sinun on tehtävä korjaus puristamalla ja venyttämällä sisäisiä metallitankoja varovasti.
- » Kääntyvällä istuinyksiköllä varustettujen matkustusjärjestelmien tapauksessa niiden asentoa ei saa muuttaa, kun siinä on vauva.
- » Kun olet avannut rungon säilytysasennosta, tarkista, että etu- ja takapyörät on asennettu oikein yrittämällä irrottaa ne alustasta painamalla lukitusmekanismin avaavaa painiketta.
- » ”D-renkaat” on tarkoitettu lisävaljaiden kiinnittämiseen. Ne sijaitsevat olemassa olevissa valjaissa lähellä kohtaa, jossa ne on kiinnitetty istuimen runkoon. ”D-renkaat” on tarkoitettu erillisen valjaiden asentamiseen. Vaihtosarja voidaan ostaa suoraan jälleenmyyjältä.
- » Seisontajarrun käyttö. Kytke seisontajarru painamalla poljinta alas. Vapauta seisontajarru painamalla sitä alas ja vapauttamalla. VAROITUS: Älä koskaan jätä vauvaa ilman, että kytket seisontajarrun.
- » Kaksipisteinen lukitusjärjestelmä vauunun, istuinyksikön ja turvaistuimen kanssa. Lukitusmekanismi laukeaa automaattisesti, kun se asetetaan kantokassin, istuinyksikön tai turvaistuimen sovittimien paikoille
- » Painikkeet lukituksen poistamiseksi. Irrota kantolaukku, istuinyksikkö ja turvaistuimien ennen rungon nostamista painamalla rungon vasemmalla ja oikealla puolella olevia painikkeita. Varmista ennen tuotteen uudelleenkäyttöä, että lukitusjärjestelmä toimii oikein nostamalla irrotettavaa osaa.
- » Lastenvaunun runkoon kiinnitetyn korin kuorma ei saa ylittää 3 kg. Lastenvaunun kahvaan ripustetun pussin saavutettavissa oleva kuorma on 1 kg. Lastenvaunun taskut on tarkoitettu vain koristeellisiin tarkoituksiin, kuhunkin taskuun ei saa asettaa esineitä, joiden kokonaispaino ylittää 0,15 kg, tai kaikkien taskujen paino on 0,35 kg.
- » Älä aseta kantosänkyä avotulen tai muun voimakkaan lämmönlähteen lähelle. Kantosängyn kahvat ja pohja on tarkastettava säännöllisesti vaurioiden ja kulumisen varalta. Jos matkasänky on tarkoitettu käytettäväksi jalustan kanssa, on tarkistettava, että jalusta on sopivan kokoinen kantolaukun pohjaan sopivaksi. Kantosängyssä olevan lapsen pään ei tulisi koskaan olla matalampi kuin lapsen runko.
- » Ole varovainen vauvan iskun vaarasta, esimerkiksi lattialle laittaessa tai ovien läpi mennessä.
- » Älä jätä kantokoppiin mitään, mikä voisi aiheuttaa tukehtumisvaaran, kuten jäykät lelut, tynnyt...
- » Älä aseta kantokoppia lähelle toista tuotetta, joka voisi aiheuttaa kuristumisvaaran, kuten langat, verho-/kaihdinnat...
- » Muista, että ylikuumeneminen voi vaarantaa lapsesi elämän! Ota huomioon ympäristön lämpötila ja lapsen vaatetus ja varmista, ettei lapsi ole liian kylmä tai liian kuuma.
- » Muista kysyä terveydenhuollon ammattilaiselta neuvoa turvalliseen nukkumiseen.
- » Älä koskaan nosta tai laske kantokoppaa tai istuinyksikköä vauvan sisällä.

ΣΗΜΑΝΤΙΚΟ - ΔΙΑΒΑΤΕ ΠΡΟΣΕΚΤΙΚΑ ΤΙΣ ΟΔΗΓΙΕΣ ΚΑΙ ΦΥΛΑΞΤΕ ΤΕΣ ΓΙΑΤΙ ΜΠΟΡΕΙ ΝΑ ΤΙΣ ΧΡΕΙΑΣΤΕΙΤΕ ΣΤΟ ΜΕΛΛΟΝ.

ΡΟΕΙΔΟΠΟΙΗΣΗ!

- » Μην αφήνετε ποτέ το παιδί σας χωρίς επίτηρηση.
- » Βεβαιωθείτε ότι έχουν ενεργοποιηθεί όλες οι διατάξεις ασφάλισης πριν από τη χρήση.
- » Για την αποφυγή τραυματισμών, απομακρύνετε το παιδί σας κατά το δίπλωμα και το ξεδίπλωμα του προϊόντος αυτού.
- » Μην αφήνετε το παιδί σας να παίζει με το προϊόν αυτό.
- » Το κάθισμα αυτό δεν είναι κατάλληλο για παιδιά κάτω των 6 μηνών.
- » Χρησιμοποιείτε πάντα το σύστημα πρόσδεσης.
- » Βεβαιωθείτε ότι διατάξεις σύνδε του καροτσιού ή του καθίσματος ή του καθίσματος αυτοκινήτου έχουν τοποθετηθεί σωστά πριν από τη χρήση.
- » Μη χρησιμοποιείτε το προϊόν αυτό όταν κάνετε τζόκινγκ.
- » Το καροτσάκι δεν πρέπει να χρησιμοποιείται μόλις το παιδί είναι σε θέση να καθίσει από μόνο του, να κυλήσει και να ωθήσει τα χέρια και τα γόνατά του. Μέγιστο βάρος του παιδιού: βάρος 9 κιλά.
- » Αυτό το προϊόν είναι κατάλληλο μόνο για ένα παιδί που δεν μπορεί να καθίσει χωρίς βοήθεια.
- » Να χρησιμοποιείται μόνο σε σταθερή, οριζόντια, επίπεδη και στεγνή επιφάνεια.
- » Μέγιστο βάρος και ηλικία του παιδιού για το οποίο είναι κατάλληλο το όχημα: έως 22 κιλά ή 4 ετών όποιο συμβεί πρώτο.
- » Βεβαιωθείτε ότι το σώμα του καροτσιού ή η μονάδα καθίσματος ή το εξάρτημα του καθίσματος αυτοκινήτου είναι σωστά συνδεδεμένα πριν από τη χρήση.
- » Μπορείτε να συναρμολογήσετε την κούνια μεταφοράς, τη μονάδα καθίσματος ή το κάθισμα αυτοκινήτου στο πλαίσιο του καροτσιού περιπάτου. Το σασί Venicci Upline 2 είναι πλήρως συμβατό με: Μονάδα καθίσματος Venicci Upline 2 και Venicci Upline 2 CarryCot.
- » Χρησιμοποιείτε πάντα το σύστημα συγκράτησης.
- » Σύστημα κλειδώματος δύο σημείων για κουκουνάκι, μονάδα καθίσματος και κάθισμα αυτοκινήτου. Ο μηχανισμός κλειδώματος ενεργοποιείται αυτόματα όταν τοποθετείται στις εγκοπές του μεταφορέα, της μονάδας καθίσματος ή των προσαρμογέων καθίσματος αυτοκινήτου
- » Κουμπιά για απενεργοποίηση του συστήματος κλειδώματος. Για να αποσυνδέσετε το καρότσι, τη μονάδα καθίσματος, το κάθισμα του αυτοκινήτου, πριν το σηκώσετε, πατήστε τα κουμπιά, στην αριστερή και τη δεξιά πλευρά του πλαισίου. Πριν χρησιμοποιήσετε ξανά το προϊόν, βεβαιωθείτε ότι το σύστημα κλειδώματος λειτουργεί σωστά ανυψώνοντας το αποσπώμενο τμήμα.
- » Μην αφήνετε άλλα παιδιά να παίζουν χωρίς επίβλεψη κοντά στην κούνια.
- » Μην το χρησιμοποιείτε εάν οποιοδήποτε μέρος της κούνιας μεταφοράς είναι σπασμένο, σχισμένο ή λείπει.
- » Ποτέ μην χρησιμοποιείτε αυτό το προϊόν σε βάση.



GR ΡΟΕΙΔΟΠΟΙΗΣΗ!

- » Πριν τη χρήση, διαβάστε το παρακάτω εγχειρίδιο χρήσης προσεκτικά και φυλάξτε το. Η ασφάλεια του παιδιού μπορεί να τεθεί σε κίνδυνο εάν οι συστάσεις που περιλαμβάνονται στο εγχειρίδιο δεν ακολουθηθούν. Ο κατασκευαστής του καρτσιού δεν ευθύνεται για επιδράσεις από μη τήρηση των οδηγιών, προειδοποιήσεων και συστάσεων που συμπεριλαμβάνονται στα έγγραφα του προϊόντος.
- » Μετά την αγορά, βεβαιωθείτε ότι διαθέτετε όλα τα εξαρτήματα που επισημαίνει ο κατασκευαστής σε αυτό το εγχειρίδιο σωστά. Αυτό το καρτόσι απαιτεί τακτική συντήρηση από το χρήστη. Είναι ευθύνη του χρήστη να το ελέγχει καθημερινά και να διατηρεί το καρτόσι σε καλή
- » Ρύθμιση καθίσματος στην έκδοση του καρτσιού βρέφους. Το κάθισμα του καρτσιού είναι εξοπλισμένο με ρυθμιζόμενη πλάτη. Για να χαμηλώσετε την πλάτη του καθίσματος στη μισή θέση ή στην οριζόντια θέση, τραβήξτε τη λαβή στο πίσω μέρος της πλάτης του καθίσματος προς τα πάνω, επιλέξτε την επιθυμητή θέση και αφήστε τη λαβή. Η πλάτη είναι εφοδιασμένη με μηχανισμό αυτόματου κλειδώματος με ελατήριο που δεν απαιτεί την ανύψωση της λαβής κατά την ανύψωση της πλάτης από την οριζόντια σε καθιστή θέση. Κάθε φορά που αλλάζετε τη θέση της πλάτης, να ελέγχετε αν το σύστημα της ζώνης ασφαλείας λειτουργεί σωστά και να προσαρμόζετε τις ρυθμίσεις ζώνης ανάλογα με τη νέα θέση του μωρού σας.
- » Μην αφήνετε το παιδί να στέκεται όρθιο στο κάθισμα, καθώς αυτό μπορεί να βλάψει τη σταθερότητα του καρτσιού και να προκαλέσει πτώση του. Προκειμένου να αυξηθεί η σταθερότητα του προϊόντος κατά τη χρήση, βεβαιωθείτε ότι το μωρό κάθεται στο κέντρο του καρτσιού ή του καθίσματος.
- » Μην μεταφέρετε το καρτόσι κρατώντας το από την κουκούλα, το πάνω άκρο της πλάτης ή το υποπόδιο. Μην χρησιμοποιείτε το καρτόσι στα σκαλοπάτια και μην αφήνετε το καρτόσι με το παιδί πάνω ε ανώμαλες επιφάνειες (ακόμα και με το φρένο ενεργοποιημένο), καθώς μπορεί να πέσει. Η μεταφορά του καρτσιού πάνω ή κάτω σε σκαλιά, η τοποθέτηση του καρτσιού στο λεωφορείο κ.λπ. θα πρέπει να γίνεται με τη βοήθεια άλλου ατόμου. Το άτομο που κρατά τη λαβή του καρτσιού περνάει το εμπόδιο πρώτα κρατώντας τη λαβή καρτσιού και αυτός που κρατά το άλλο άκρο του καρτσιού πρέπει να πιάσει το καρτόσι από ένα σταθερό σημείο. Όταν κατεβαίνετε με το καρτόσι σκάλες, το άτομο που βοηθά κατεβαίνει πρώτο.
- » Ρύθμιση ύψους λαβής καρτσιού. Για να αλλάξετε το ύψος της λαβής του καρτσιού, πατήστε και κρατήστε πατημένο το κουμπί, επιλέξτε το επιθυμητό ύψος και έπειτα αφήστε και τα δύο κουμπιά. Αφού ρυθμίσετε το ύψος της λαβής, κρατήστε το στο πάνω μέρος και μετακινήστε το δύο φορές πάνω κάτω για να βεβαιωθείτε ότι οι κλειδαριές ασφαλείας λειτουργούν σωστά.
- » Στην περίπτωση των εξοπλισμένων καρτσιών με μεταφερόμενες λαβές, βεβαιωθείτε ότι τα χέρια του παιδιού δεν βρίσκονται έξω από το εσωτερικό περίγραμμα του καθίσματος όταν αλλάζετε τη θέση της λαβής. Μετά από κάθε αλλαγή της θέσης της λαβής, ελέγξτε την αποτελεσματικότητα του μηχανισμού αυτόματης ασφαλείας τραβώντας τη λαβή πάνω κάτω αρκετές φορές. Όταν αλλάζετε τη θέση της πλάτης ή του καρτσιού, προσέξτε τα χέρια και το κεφάλι του παιδιού. Το καρτσάκι είναι εξοπλισμένο με ρυθμιζόμενο υποπόδιο. Για να χαμηλώσετε το υποπόδιο, πατήστε τα κουμπιά και στις δύο πλευρές του υποποδίου, ρυθμίστε τη θέση του υποποδίου και αφήστε τα κουμπιά. Το υποπόδιο είναι εξοπλισμένο με ένα σύστημα αυτόματου κλειδώματος που δεν απαιτεί την απελευθέρωση των κουμπιών κατά την ανύψωση του.
- » Μην αφήνετε το παιδί να στέκεται ή να κάθεται στο υποπόδιο. Ένα μεγαλύτερο φορτίο στο υποπόδιο μπορεί να προκαλέσει ζημιά στους μηχανισμούς ασφαλείας. Όταν το

παιδί μπαίνει ανεξάρτητα μέσα και έξω από το καρότσι, τοποθετήστε το υποπόδιο στην κάτω θέση του.

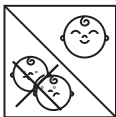
- » Διατηρήστε τα εξαρτήματα του καροτσιού καθαρά. Η βρωμιά στο πλαίσιο πρέπει να αφαιρείται με ένα υγρό σφουγγάρι και στη συνέχεια να το σκουπίζετε με ένα στεγνό βαμβακερό πανί. Μην χρησιμοποιείτε καυστικά, αιχμηρά ή σκληρά μέσα για τον καθαρισμό, καθώς ενδέχεται να είναι επιβλαβή για το καροτσάκι (αποχρωματισμός, γρατσουνιές κ.λπ.). Συνιστάται να χρησιμοποιείτε καθαριστικά κατάλληλα για συγκεκριμένη επιφάνεια. Σε περίπτωση βρωμιάς στο καρότσι, αφαιρέστε τη με ένα υγρό σφουγγάρι, προσθέτοντας ένα ευαίσθητο καθαριστικό. Αποφύγετε την υπερβολική υγρασία στο κάθισμα του καροτσιού, του κάτω μέρους της κούνιας μεταφοράς και του πάτου του επιπρόσθετου υπνόσακου (καροτσάκι με δυνατότητα αλλαγής λειτουργίας), καθώς αυτό μπορεί να προκαλέσει παραμόρφωση των στοιχείων του δακτυλίου.
- » Για να αποφύγετε τις κηλίδες που μπορεί να προκύψουν μετά από βροχή, για παράδειγμα, ασφαλίστε το καροτσάκι έναντι υπερβολικής υγρασίας με τη χρήση καλύμματος βροχής για ολόκληρο το καροτσάκι. Συνιστάται η προστασία του καροτσιού από τις επιπτώσεις του ισχυρού ηλιακού φωτός. Ο κατασκευαστής δεν μπορεί να αναλάβει την ευθύνη για φθορά στο κάλυμμα του καροτσιού, η οποία προκύπτει από τη μη τήρηση αυτών των συστάσεων.
- » Πριν τοποθετήσετε και αποσυναρμολογήσετε τις ρόδες, ανασηκώστε το μηχανισμό ασφάλειας του φρένου προς τα πάνω (το φρένο ξεμπλοκάρει). Συνιστούμε οι άξονες του καροτσιού να διατηρούνται καθαροί. Όταν τα καροτσάκια είναι εφοδιασμένα με τροχούς χωρίς ρουλεμάν, οι άξονες καροτσιού πρέπει να διατηρούνται λιπασμένοι με ένα παχύ υλικό (γράσο, λάδι μηχανής) για τη μείωση της τριβής στα άκρα των σωλήνων. Σε μοντέλα εξοπλισμένα με ρόδες με ρουλεμάν, συνιστάται η λίπανση των αξόνων με λιπαντικούς παράγοντες π.χ. WD40. ΠΡΟΕΙΔΟΠΟΙΗΣΗ: Δεν πρέπει να χρησιμοποιούνται αξεσουάρ ή ανταλλακτικά που δεν έχει εγκρίνει ο κατασκευαστής ή ο διανομέας.
- » Για σκελετό εξοπλισμένο με οπές στήριξης για το κάθισμα του αυτοκινήτου - δεν πρέπει να χρησιμοποιούνται όλοι οι σύνδεσμοι που δεν έχει εγκρίνει ο κατασκευαστής ή ο διανομέας. Ο κατασκευαστής δεν φέρει καμία ευθύνη για τις συνέπειες της τοποθέτησης άλλων καθισμάτων αυτοκινήτου στο σκελετό που δεν έχουν την έγκρισή τους. Ο κατάλογος των καθισμάτων αυτοκινήτου με τις κατάλληλες εγκρίσεις δημοσιεύεται στον ιστότοπο του κατασκευαστή.
- » Δεν πρέπει να χρησιμοποιούνται εξαρτήματα προσαρμογής για το κάθισμα αυτοκινήτου που δεν έχει εγκρίνει ο κατασκευαστής ή ο διανομέας. ΠΡΟΕΙΔΟΠΟΙΗΣΗ: Βεβαιωθείτε ότι οι συσκευές στερέωσης του καθίσματος του αυτοκινήτου έχουν ασφαλιστεί σωστά πριν από τη Ενώ αναδιπλώνετε και ξεδιπλώνετε το σκελετό και κατά τη διάρκεια της συναρμολόγησης, κρατήστε τα χέρια σας σε ασφαλή απόσταση από τα κινούμενα μέρη για να αποφύγετε τραυματισμούς. Μην χρησιμοποιείτε το συνδυασμό του καθίσματος του αυτοκινήτου και του σκελετού ως μέρος για το παιδί να κοιμάται για μεγάλα χρονικά διαστήματα. Εάν το παιδί σας θέλει να κοιμηθεί, χρησιμοποιείτε πάντα τη βρεφική κούνια. Το καροτσάκι χρησιμοποιείται ως μέσο μεταφοράς, μην κουνάτε το προϊόν. Κατά τη μετακίνηση του καροτσιού προς τα εμπρός και προς τα πίσω σε μικρές αποστάσεις, οι μπροστινοί τροχοί πρέπει να είναι κλειδωμένοι στη σταθερή θέση. Η χαλαρότητα του μηχανισμού περιστροφής, μπορεί να προκαλέσει αλλαγή κατεύθυνσης που δεν αποδεικνύει την ελαττωματικότητα του προϊόντος.
- » Ο κατασκευαστής συνιστά να τοποθετείτε το κάθισμα του αυτοκινήτου στην αντίθετη κατεύθυνση προς την κατεύθυνση του ταξιδιού (έναντι γονέα), καθώς καθιστά ευκολότερο να παρατηρήσετε το παιδί στο κάθισμα του αυτοκινήτου.
- » Για καροτσάκι σχεδιασμένο από τη γέννηση και μετά, συνιστάται το παιδί να βρίσκεται σε καθιστή θέση ανά πάσα στιγμή.

- » Για καρότσια εξοπλισμένα με ζώνη, βεβαιωθείτε πάντοτε ότι εάν η ζώνη δεν χρησιμοποιείται, αφαιρείται από το καρότσι. Καρότσια εφοδιασμένα με κεντρική λαβή μεταφοράς. Πριν το σηκώσετε, βεβαιωθείτε ότι η λαβή είναι τοποθετημένη κάθετα στο καρότσι και ότι η κλειδαριά στη βάση της είναι ενεργοποιημένη και λειτουργεί σωστά.
- » Αφού ξεδιπλώσετε το σκελετό, ελέγξτε αν οι μπροστινοί και πίσω τροχοί έχουν τοποθετηθεί σωστά προσπαθώντας να τα αποσυνδέσετε από το σκελετό χωρίς να πατήσετε το κουμπί που Οι δακτύλιοι «D» παρέχονται για την προσάρτηση μιας επιπλέον ζώνης. Αυτοί βρίσκονται στην υπάρχουσα ζώνη κοντά στο σημείο που είναι προσαρτημένο στο σκελετό του καθίσματος. Οι δακτύλιοι «D» παρέχονται για τοποθέτηση ξεχωριστής ζώνης, εάν απαιτείται. Μία αντικατάσταση της ζώνης μπορεί να αγοραστεί απευθείας από τον διανομέα.
- » Λειτουργία του χειρόφρενου. Πιέστε προς τα κάτω το πεντάλ για να ενεργοποιήσετε το χειρόφρενο. Πιέστε προς τα κάτω και αφήστε το για να αποδεσμεύσετε το χειρόφρενο. ΠΡΟΕΙΔΟΠΟΙΗΣΗ: Μην αφήνετε ποτέ το καροτσάκι χωρίς να ενεργοποιήσετε πλήρως το χειρόφρενο.
- » Σύστημα ασφάλειας δύο σημείων για καροτσάκι, κάθισμα καροτσιού και κάθισμα αυτοκινήτου. Ο μηχανισμός ασφάλειας ενεργοποιείται αυτόματα όταν τοποθετείται στις εγκοπές του καροτσιού, του καθίσματος ή των συστημάτων προσαρμογής του καθίσματος του αυτοκινήτου.
- » Κουμπιά για απενεργοποίηση του συστήματος κλειδώματος. Για να αποσυνδέσετε το καρότσι, το κάθισμα του καροτσιού, το κάθισμα του αυτοκινήτου, πριν το ανασηκώσετε, πατήστε τα κουμπιά, στην αριστερή και τη δεξιά πλευρά του σκελετού. Πριν χρησιμοποιήσετε ξανά το προϊόν, βεβαιωθείτε ότι το σύστημα ασφάλειας λειτουργεί σωστά ανυψώνοντας το αποσπώμενο τμήμα.
- » Το φορτίο του καλαθιού που στερεώνεται στο πλαίσιο καροτσιού δεν πρέπει να υπερβαίνει τα 3 κιλά, το προσβάσιμο φορτίο της τσάντας που κρέμεται στη λαβή καροτσιού είναι 1 κιλό. Οι τσέπες του καροτσιού είναι μόνο για διακοσμητικούς σκοπούς, δεν πρέπει να τοποθετούνται αντικείμενα συνολικού βάρους άνω των 0,15 kg σε κάθε τσέπη ή βάρος 0,35 kg για όλες τις τσέπες.
- » Μην τοποθετείτε τη βρεφική κούνια κοντά σε ανοιχτή φωτιά ή άλλη πηγή ισχυρής θερμότητας. Οι λαβές και το κάτω μέρος της κούνιας μεταφοράς πρέπει να ελέγχονται τακτικά για σημάδια βλάβης και φθοράς. Εάν η κούνια μεταφοράς προορίζεται να χρησιμοποιηθεί με βάση, τότε πρέπει να ελεγχθεί ότι το στήριγμα είναι το κατάλληλο μέγεθος για να φιλοξενήσει τη βάση της κούνιας μεταφοράς. Το κεφάλι του παιδιού στην κούνια δεν πρέπει ποτέ να είναι χαμηλότερο από το σώμα του παιδιού.
- » Να είστε προσεκτικοί με τον κίνδυνο χτυπήματος του μωρού, για παράδειγμα, όταν το τοποθετείτε στο πάτωμα, περνάτε από τις πόρτες.
- » Μην αφήνετε τίποτα στο καλάθι που μπορεί να παρουσιάσει κίνδυνο ασφυξίας, όπως μη-στερεά παιχνίδια, μαξιλάρια...
- » Μην τοποθετείτε το καλάθι κοντά σε άλλο προϊόν που μπορεί να παρουσιάσει κίνδυνο πνιγμού, όπως σχοινιά, κορδέλες τυφλών/κουρτινών...
- » Παρακαλούμε θυμηθείτε ότι η υπερθέρμανση μπορεί να απειλήσει τη ζωή του παιδιού σας! Λάβετε υπόψη τη θερμοκρασία του περιβάλλοντος και τα ρούχα του παιδιού και βεβαιωθείτε ότι το παιδί δεν είναι πολύ κρύο ή πολύ ζεστό.
- » Παρακαλούμε, θυμηθείτε να ζητήσετε συμβουλές από επαγγελματία υγείας για ασφαλή ύπνο.
- » Ποτέ μην ανεβάζετε ή κατεβάζετε το πορτ-μπαγκάζ ή τη μονάδα καθίσματος με το μωρό μέσα.

EST TÄHTIS - LUGEGE HOOLIKALT JA HOIDKE ALLES EDASPIDISEKS KASUTAMISEKS.

HOIATUS!

- » Ärge kunagi jätke last järelevalveta.
- » Veenduge, et kõik nõutavad lukustusseadmed oleksid enne kasutamist korralikult rakendatud.
- » Vigastuste vältimiseks veenduge, et laps on selle toote kokkupanemise ja lahtivõtmise ajal sellest eemal.
- » Ärge lubage lapsel selle tootega mängida.
- » Kasutage turvarakmeid kohe, kui laps saab istuda kõrvalise abita.
- » See istmesektsioon ei sobi alla 6 kuu vanustele lastele.
- » Kasutage alati turvasüsteemi.
- » -Kontrollige enne kasutamist, et lapsevankri korpuse või istmesektsiooni või autoistme kinnitamise seadmed oleksid korralikult rakendatud
- » See toode ei ole sobiv kasutamiseks jooksmise või uisutamise ajal.
- » Vankrikorpust ei tohi kasutada niipea, kui laps saab ise istuda, ümber veereda ja saab ennast kätele ja põlvedele suruda. Lapse maksimaalne kaal: kaal 9 kg.
- » See toode sobib ainult lapsele, kes ei saa ilma istmeteta istuda.
- » Kasutage ainult kindlal, horisontaalsel, tasasel ja kuival pinnal.
- » Lapse, kellele käru mõeldud on, maksimaalne mass ja vanus: 22 kg või 4 aastat, ükskõik millises järjekorras
- » Enne kasutamist veenduge, et lapsevankri kere, istmeosa või turvatooli kinnitusseadmed on õigesti kinnitatud.
- » Võite kokku panna turvahälli, istmeseadme või jalutuskäru raamile turvatooli. Venicci Upline 2 šassii sobib täielikult järgmiste seadmetega: Venicci Upline 2 istmeosa ja Venicci Upline 2 CarryCot.
- » Kasutage alati turvasüsteemi.
- » Kahepunktiline lukustusüsteem käevoodi, istmeosa ja turvatooli jaoks. Lukustusmehhanism käivitub automaatselt, kui see asetatakse kandekoti, istmeüksuse või turvahällide adapterite pesadesse
- » Nupud lukustusüsteemi väljalülitamiseks. Kandekorvi, istmeosa ja turvatooli eemaldamiseks vajutage enne šassii üles tõstmist nuppe šassii vasakul ja paremal küljel. Enne toote taaskasutust veenduge, et lukustusüsteem töötab korralikult, tõstes eemaldatavat osa.
- » Ärge laske teistel lastel kandevoodi lähedal järelevalveta mängida.
- » Ärge kasutage, kui mõni kandevoodi osa on katki, rebenenud või puudub.
- » Ärge kunagi kasutage seda toodet alusel.



EST HOIATUS!

- » Enne kasutamist lugege hoolikalt juhendit ja hoidke see alles. Kui selles juhendis toodud soovitusi ei järgita, võib lapse turvalisus olla ohus. Vankri tootja ei vastuta toote dokumentatsioonis sisalduvate märkuste, hoiatuste ja soovitude mittejärgimise tagajärgede eest.
- » Pärast ostmist veenduge, et hooldate kõiki tootja poolt käesolevas kasutusjuhendis nimetatud komponente. See lapsevanker vajab kasutaja regulaarset hooldust. Kasutaja kohustus on lapsevankri tavapärase ülevaatus ja hooldus, et vältida toote kahjustamist ja/või lapse vigastamist.
- » Seljatoe reguleerimine jalutuskäru versioonis. Jalutuskäru iste on varustatud reguleeritava seljatoega. Seljatoe langetamiseks poolistuvale või lamavasse asendisse tõmmake seljatoe tagumise osa käepidet ülespoole, valige vajalik asend ja vabastage käepide. Seljatugi on varustatud automaatse lukustuse mehhanismiga, mis ei vaja seljatoe lamavast istumisasendisse tõstmisel käepideme kasutamist. Iga kord, kui muudate seljatoe asendit, kontrollige, kas kinnitussüsteem töötab õigesti ja reguleerige rakmeid vastavalt lapse uuest asendist.
- » Ärge laske lapsel seista istmel, sest see võib kahjustada käru stabiilsust ja põhjustada käru kukkumist. Toote stabiilsuse suurendamiseks selle kasutamise ajal veenduge, et laps oleks paigutatud kandevoodi või istumisosa keskosasse.
- » Ärge kandke lapsevankrit hoides kattest, seljatoe ülemist servast või jalatoest kinni. Ärge kasutage lapsevankrit treppidel ega jäta lapsega lapsevankrit ebatasasele pinnale (isegi kui pidur on sisse lülitatud), kuna see võib liikuda. Vankri kandmine trepiastmetest üles või alla, vankri paigutamine bussi jne peaks toimuma teise inimese abiga. Vankri käepideme torust hoidev isik möödub kõigepealt takistusest, hoides lapsevankri käepideme toru kinni ja lapsevankri teist otsa hoidev isik peaks lapsevankrist kinni haarama stabiilse elemendi abil, näiteks raamist. Vankrit allkorrusel tassides tuleb esimesena alla abistaja.
- » Vankrikäepideme kõrguse reguleerimine. Vankrikäepideme kõrguse muutmiseks vajutage ja hoidke nuppu, valige vajalik kõrgus ja vabastage mõlemad nupud. Pärast käepideme kõrguse reguleerimist hoidke seda ülemisest osast ja liigutage seda kaks korda üles ja alla, et veenduda lukkude õiges toimimises.
- » Vahetavate käepidemeteorudega varustatud lapsevankrite puhul veenduge, et käepidetoru asendi muutmisel ei jääks lapse käed istme sisekujundusest välja. Pärast iga käepidetoru asendi muutmist kontrollige isekinnituva lukustusmehhanismi tõhusust, tõmmates käepidemet toru mitu korda üles ja alla. Seljatoe või koti asendi muutmisel pöörake tähelepanu lapse kätele ja peale. Jalatoe reguleerimine. Vanker on varustatud reguleeritava jalatoega. Jalatoe langetamiseks vajutage jalatoe mõlemal küljel olevaid reguleerimisnuppe, reguleerige jalatoe asend ja vabastage nupud. Jalatugi on varustatud automaatse lukustussüsteemiga, mis ei vaja jalatoe tõstmisel nuppude vabastamist.
- » Ärge laske lapsel jalatoel seista ega istuda. Suurema koormuse mõju jalatoele võib kahjustada lukustusmehhanisme. Kui laps saab kärust iseseisvalt sisse ja välja, asetage jalatoed madalamasse asendisse.
- » Hoidke lapsevankri elemendid puhtana. Raamil olev mustus tuleb eemaldada niiske käsna ja seejärel pühkida kuiva puuvillase lapiga. Ärge kasutage puhastamiseks

söövitavaid, teravaid ega kõvasid aineid, kuna need võivad lapsevankri elementidele kahjustada (värvimuutus, kriimustused jne). Soovitatakse kasutada konkreetsele pinnale sobivaid puhastusvahendeid. Vankrikatte määrdmise korral eemaldage see niiske käsna, lisades sellele õrna puhastusvahendit. Vältige jalutuskäru istme, kandevoodi põhja ja täiendava magamiskoti (muudetava funktsiooniga lapsevanker) liigset niisutamist, kuna see võib põhjustada elementide deformatsiooni.

- » Vankri vihma või piiskade kaitsmise jaoks kasutage lapsevankri vihmakatet. Vankrit on soovitatav kaitsta tugeva päikesevalguse eest. Tootja ei saa võtta vastutust lapsevankri katte riknemise eest, mis tuleneb nende soovitude eiramisest.
- » Enne rataste paigaldamist ja lahti võtmist tõstke piduri lukustusmehhanism ülespoole (blokeerimata pidur). Vankri teljed soovitate hoida puhtana. Kui lapsevanker on varustatud ilma laagriteta ratastega, siis tuleks lapsevankri telgi hõõrdumise vähendamiseks hoida (masinaõli või mõne muu sellise vahendiga) määritud. Laagritega ratastega varustatud mudelites on soovitatav teljed määrida määrdeainega nt. WD40. HOIATUS. Lisaseadmeid ega varuosi, mida tootja või edasimüüja pole heaks kiitnud, ei tohi kasutada.
- » Raami jaoks, mis on varustatud turvatooli kinnituskahvudega, ei tohi kasutada kõiki pesasid, mida tootja või edasimüüja pole heaks kiitnud. Tootja ei vastuta muude turvatooli kerele paigaldamise tagajärgede eest, millel puudub nende nõusolek. Sobivate kinnitustega turvatoolide loetelu on avaldatud tootja veebisaidil.
- » urvatooli adaptoreid, mida tootja või edasimüüja pole heaks kiitnud, ei tohi kasutada. HOIATUS: Enne kasutamist kontrollige, kas turvatooli kinnitusseadmed on õigesti ühendatud.
- » Raami avamisel ja lahti keeramisel ning kokkupaneku ajal hoidke vigastuste vältimiseks käsi liikuvatest osadest ohutus kauguses. Ärge kasutage turvatooli ja raami kombinatsiooni lapse magamiskohana pikka aega. Kui teie laps tahab magada, kasutage alati kandevoodit või võrevoodit. Vankrit kasutatakse transpordivahendina, ärge raputage toodet. Vankri lühikestel vahemaadel ettepoole ja tagurpidi liikumisel peaks esirattad olema fikseeritud. Ketrusmehhanismi tehnoloogiline lõtvus võib põhjustada suuna muutuse, mis ei tõenda toote defektsust.
- » Tootja soovib turvatooli paigaldada seljaga sõidusuunale (näoga vanema poole), see muudab lapse turvatoolis jälgimise lihtsamaks.
- » Vastsündinutele mõeldud lapsevankrite jaoks on soovitatav, et laps oleks selili kogu aeg.
- » Tootja soovib turvatooli paigaldada seljaga sõidusuunale (näoga vanema poole), see muudab lapse turvatoolis jälgimise lihtsamaks.
- » Vastsündinutele mõeldud lapsevankrite jaoks on soovitatav, et laps oleks selili kogu aeg.
- » Rakmetega varustatud turvahälli puhul veenduge alati, et kui rakmeid ei kasutata, et siis oleks need eemaldatud turvahällilt. Turvahäll, mis on varustatud keskmise ülemise käepidemega; enne tõstmist veenduge, et käepide on risti turvahälliga ja selle põhjas olev lukk on sisse lülitatud ja töötab korralikult.
- » Garantii- ja garantiijärgseks remondiks kasutage ainult vastava tootja või edasimüüja tarnitud või soovitatud osi. Vankrit ei tohiks kasutada, kui on täheldatud mingisugust viga või mõni element on kahjustatud.
- » Istmega üksuse kate on kujundatud painduvate terasribade abil, mis võivad

deformeeruda pinges all. Selle tulemuseks võib olla sisemiste metallvaraste ja süsteemi muude osade kahjustused põhjustada kanga rebenemise. Deformatsiooni korral peate seda parandama, surudes sisemisi metallvardasid ettevaatlikult kokku ja venitades.

- » Pööratava istmeseadmega varustatud süsteemide puhul ei ole lubatud asendit muuta, kui laps on sees.
- » Pärast raami lahtivõtmist kontrollige, kas esi- ja tagarattad on õigesti paigaldatud, proovides neid raamist lahti ühendada, vajutamata lukustusmehhanismi nuppu.
- » D-rõngad on ette nähtud täiendavate rakmete kinnitamiseks. Need on olemasolevatel rakmetel lähedal, kus need on istmeraami külge kinnitatud. D-rõngad on ette nähtud eraldi rakmete paigaldamiseks, kui see on vajalik. Asendusrakmeid saab osta otse edasimüüjalt.
- » Parkimispiduri kasutamine. Parkimispiduri sisselülitamiseks vajutage pedaal alla. Parkimispiduri vabastamiseks vajutage alla ja vabastage. HOIATUS: Alati kasutage parkimispidurit, kui lahkute selle juurest.
- » Kahepunktiline lukustusüsteem turvahälli, istme ja turvatooli jaoks. Lukustusmehhanism käivitub automaatselt, kui see asetatakse turvatooli, istme või turvahällide adapterite pesadesse.
- » Nupud lukustusüsteemi väljalülitamiseks. Turvahälli, istme ja turvatooli eemaldamiseks tuleb vajutada nuppe raami vasakul ja paremal küljel. Enne toote taaskasutust veenduge, et lukustusüsteem töötab korralikult, tõstes eemaldatavat osa.
- » Vankriraami külge kinnitatud korvi koormus ei tohiks ületada 3 kg. Vankri käepidemele riputatud koti ligipääsetav koormus on 1 kg. Vankri taskud on ainult dekoratiivsed, igasse taskusse ei tohi panna ühtegi eset, mille kogukaal ületab 0,15 kg, ega taskuid, mille kaal on 0,35 kg. Ärge asetage kandevoodi lahtise tule või muu tugeva kuumuse allika lähedale. Kandevoodi käepidemeid ja põhja tuleks regulaarselt kontrollida kahjustuste ja kulumise nähtude suhtes. Kui kandevoodi on ette nähtud kasutamiseks koos alusega, tuleb kontrollida, kas alus on sobiva suurusega kandevoodi aluse mahutamiseks. Kandevoodis oleva lapse pea ei tohi kunagi olla lapse kehast madalam.
- » Olge teadlikud beebi löömise ohust, näiteks kui panete selle põrandale, liigute uste kaudu;
- » Ärge jätke kandekotti midagi, mis võiks tekitada lämbumisohtu, näiteks mittejäigad mänguasjad, padjad...
- » Ärge asetage kandekotti lähedale teisele tootele, mis võiks tekitada lämbumisohtu, näiteks nõõrid, kardina nõõrid...
- » Palun pidage meeles, et ülekuumenemine võib ohustada teie lapse elu! Arvestage ümbritseva temperatuuriga ja lapse riietusega ning veenduge, et laps ei oleks liiga külm ega liiga soe;
- » Palun pidage meeles küsida tervishoiutöötajalt nõu ohutu une kohta.
- » Ärge kunagi tõstke ega langetage kandekorvi või istmeosa, kui laps on sees.

NO VIKTIG - LES NØYE OG OPPBEVAR FOR FREMTIDIG BRUK. ADVARSEL!

- » Aldri etterlat barnet uten tilsyn.
- » Kontroller at alle låsemekanismer er aktivert før bruk.
- » For å unngå personskade, sørg for å holde barnet ditt på avstand mens du slår opp og slår sammen produktet.
- » La ikke barnet leke med produktet.
- » Bruk selene så snart barnet kan sitte selv.
- » Denne seteenheten er ikke egnet for barn under 6 måneder.
- » Bruk alltid sikringsseleene.
- » Kontroller før hver bruk at låsemekanismene for barnevognbagen el bilsetet virker som de skal.
- » Dette produktet egner seg ikke for løping eller bruk med rulleskøyter.
- » Barnevognkroppen skal ikke brukes så snart barnet er i stand til å sitte alene, rulle og kan presse seg på hendene og knærne. Maksimal vekt på barnet: vekt 9 kg.
- » Sjekk at barnevognen eller seteenheten eller bilseteinnettingene er riktig tilkoblet før bruk.
- » Dette produktet er kun egnet for barn som ikke kan sitte uten hjelp.
- » Bruk bare på et fast, horisontalt, plant og tørt underlag.
- » Maksimal vekt og alder på barnet som kjøretøyet er egnet for: opptil 22 kg eller 4 år, avhengig av hva som kommer først.
- » Du kan montere bæresesken, seteenheten eller bilsetet på barnevognens ramme. Venicci Upline 2 chassis er fullt kompatibelt med: Venicci Upline 2 Seat Unit og Venicci Upline 2 CarryCot.
- » Bruk alltid fastholdelsesanlegget.
- » To-punkts låsesystem for barneseng, seteenheten og bilsete. Låsemekanismen utløses automatisk når den plasseres i sporene på barnevognen, seteenheten eller bilseteadapterne
- » Knapper for å deaktivere låsesystemet. Trykk på knappene på venstre og høyre side av understellet før du løfter det opp, for å løsne bæresesken, seteenheten, bilsetet. Før du bruker produktet på nytt, må du sørge for at låsesystemet fungerer som det skal ved å løfte den avtakbare delen.
- » Barnevogn er kun egnet for spesifisert antall barn og kan bare brukes i oppgitte aldersgrupper.
- » Før du setter barnet ditt i barneseng / barnevogn / bilsete, må du kontrollere om det er små gjenstander som kan forårsake kvelningsfare.
- » Ikke la andre barn leke uten tilsyn i nærheten av bæresengen.
- » Ikke bruk hvis deler av bæresengen er ødelagt, revet eller mangler.
- » Bruk aldri dette produktet på stativ.



NO ADVARSEL!

- » To-punkts låsesystem for bærebag, seteenheter og bilsete. Låsemekanismen utløses automatisk når den plasseres i sporene til bærebagen, seteenheter eller bilstoladapterne.
- » Knapp for å deaktivere låsesystemet. Før du løfter opp bærebagen, seteenheter eller bilsetet, trykker du på knappene på venstre og høyre side av understellet for å koble dem fra. Før produktet blir brukt på nytt må du forsikre deg om at låsesystemet fungerer som det skal ved å løfte den avtakbare delen.
- » Håndtaket er designet for å transportere væsker i lukkede beholdere med en vekt på opptil 0,5 kg eller et volum på 0,5 l. Før folding må håndtaket løsnes fra understellet.
- » Les bruksanvisningen nøye før bruk og ta vare på den. Sikkerheten til barnet kan settes på spill hvis anbefalingene i denne håndboken ikke følges. Produsenten av barnevognen er ikke ansvarlig for konsekvenser som oppstår som følge av å ikke følge merknader, advarsler og anbefalinger i produktokumentasjonen.
- » Etter kjøp må du vedlikeholde alle komponentene som er spesifisert av produsenten i håndbokens Serviceavsnitt (SERVICE) før du bruker barnevognen. Dette kjøretøyet krever regelmessig vedlikehold fra brukeren. Det er brukerens ansvar å utføre rutinemessige inspeksjoner og vedlikehold på kjøretøyet for å unngå skade på det og/eller personskaade på barnet.
- » Justering av høyden til barnevognens håndtaksrør. For å endre høyden på barnevognens håndtaksrør trykker og holder du inne knappene på sidene av håndtakrøret, velger ønsket høyde for så å slippe begge knappene. Når du har justert høyden på håndtakrøret, holder du i den øvre delen og beveger det to ganger opp og ned for å sikre at låsene fungerer korrekt.
- » Hvis barnevognen er utstyrt med overførbare håndtaksrør, må du sørge for at barnets hender ikke er utenfor setets indre ytterlinjer når du endrer håndtaksrørets stilling. Sjekk riktig funksjon av den selvfestende låsemekanismen etter hver endring av håndtaksrørets stilling ved å trekke håndtakrøret opp og ned flere ganger.
- » Når du endrer ryggstøttens eller babykurvens posisjon, må du være oppmerksom på barnets hender og hode.
- » Justering av fotstøtte. Barnevognen er utstyrt med justerbar fotstøtte. For å senke fotstøtten trykker du på justeringsknappene på begge sider av fotstøtten, justerer fotstøttens stilling og slipper knappene. Fotstøtten er utstyrt med et automatisk låsesystem som ikke krever at knappene slippes når du løfter fotstøtten.
- » Ikke la barnet stå eller sitte på fotstøtten. En større belastning på fotstøtten kan forårsake skade på låsemekanismene. Når barnet kommer seg inn og ut av barnevognen på egen hånd, posisjonerer du fotstøtten i den laveste stillingen.
- » Ryggstøttejustering i barnevognversjonen. Barnevognsetet er utstyrt med en justerbar ryggstøtte. For å senke ryggstøtten til halv-sittende eller til liggende stilling, trekker du håndtaket i den bakre delen av ryggstøtten oppover, velger ønsket stilling og slipper håndtaket. Ryggstøtten er utstyrt med en fjærbelastet og automatisk

NO

låsemekanisme som ikke krever at håndtaket må løftes når du løfter ryggstøtten fra liggende til sittende stilling. Hver gang du endrer ryggstøttens stilling må du sjekke om festesystemet fungerer som det skal og justere seleinnstillingene slik at det passer til babyens nye stilling.

- » Ikke la barnet stå på setet da dette kan skade barnevognens stabilitet og føre til at den velter. For å øke stabiliteten til produktet mens det er i bruk må du sørge for at babyen er plassert i midtdelen av bærebagen eller seteenheten.
- » Ikke bær barnevognen i kalesjen, øvre kanten på ryggstøtten, fotstøtten eller elementet som utgjør barnevognversjonen. Ikke bruk barnevognen i trapper eller etterlat den med barnet sittende i den på ujevne overflater (selv med bremsen på) ettersom den da kan velte. Bæring av barnevognen opp eller ned trapper, plassering av barnevognen i buss osv. bør utføres ved hjelp av en annen person. Personen som holder i håndtaksrøret passerer hindringen først, og personen som holder den andre enden av barnevognen bør ta tak i en stabilt del, for eksempel rammen. Når du bærer barnevognen ned trapper, går personen som hjelper foran.
- » Når barnevognen ikke er i bevegelse, anbefales det alltid å sette bremsen i låst stilling. Å bruke bremsen krever senking av bremsespaken og kontroll av bremsens effektivitet. Før du beveger barnevognen må du være sikker på at hjulene ikke er låst. Flytting av barnevognen med låste hjul kan føre til skader på låseelementene.
- » For å passere hindringer med varierende høyder (f.eks. høye dørstokker), må du bringe begge hjulene nærmere hverandre (på samme aksel), samtidig som du presser håndtaket ned idet du passerer hindringen med forhjulene. For å passere høyere hindringer (f.eks. fortauskanter), må forhjulene til barnevognen plasseres litt over hinderhøyden, samtidig som du trykker håndtaket nedover og drar det mot deg. Flytt deretter bakhjulene inntil hindring, senk forhjulene og flytt bakhjulene over hindringen ved å løfte vognen. Enhver kollisjon med gjenstander eller harde overflater kan forårsake skader (deformasjon) på elementer som forbinder rammen og føre til ujevnheter.
- » Lasten på kurven som er festet til barnevognrammen, må ikke overstige 3 kg. Tilgjengelig belastning på posen som er hengt på barnevognhåndtaket er 1 kg. Lommene på barnevognen er kun til dekorative formål. Ingen gjenstander med totalvekt over 0,15 kg skal plasseres i hver lomme eller vekt på 0,35 kg for alle lommer.
- » Hold barnevognen og dens elementer rene. Fjern urenheter fra rammen med en svamp fuktet med vann og tørk den med en bomullsklut. Ikke bruk aggressive eller kaustiske rengjøringsprodukter da disse kan skade elementene på barnevognen (riper, misfarging osv.). Vi anbefaler å bruke rengjøringsprodukter som passer for overflaten som skal behandles. Smuss på kalesjen fjernes med en fuktig svamp samt et skånsomt rengjøringsprodukt. Unngå overdreven fuktig av barnevognsetet, bunnen av bærebagen og bunnen av tilleggssovepose (for barnevogner med utskiftbar funksjon) for å unngå deformasjon av de ulike elementene.
- » For å unngå at barnevognen blir gjennomvåt eller at flekker forårsaket av nedbør oppstår er det nødvendig å dekke hele barnevognen med regntrekket. Det anbefales

NO

å beskytte barnevognen mot overdreven eksponering for sollys. Produsenten kan ikke holdes ansvarlig for skader på kalesjen som skyldes manglende overholdelse av disse anbefalingene.

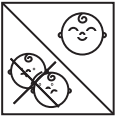
- » Før du monterer og demonterer hjulene, må du løfte bremsens låsemekanisme oppover (bremse i fri stilling). Det anbefales å holde vognakslene rene. Hvis barnevognen er utstyrt med hjul uten kulelagre, er det nødvendig å smøre akslene med fett eller maskinolje for å redusere friksjonen i rørendene. På modeller utstyrt med hjul med kulelagre anbefales det å smøre akslene med et smøremiddel, for eksempel WD40. For oppblåsning av hjul anbefaler vi at det indre trykket holdes på et konstant nivå som ikke overstiger 0,6 bar eller verdien som er angitt på hjulstellet.
- » ADVARSEL: Ikke bruk tilbehør eller reservedeler som produsenten eller distributøren ikke har godkjent.
- » På understell utstyrt med monteringshull for bilsete må det ikke benyttes pluggkontakter som produsenten eller distributøren ikke har godkjent. Produsenten er ikke ansvarlig for konsekvensene av å installere bilstoler uten godkjennelse på understellet. En liste over godkjente bilstoler er lagt ut på produsentens nettsted.
- » Bilstoladaptore som produsenten eller distributøren ikke har godkjent må ikke brukes. ADVARSEL: Kontroller at bilstolens festeanordninger fungerer som dem skal før bruk.
- » Ikke bruk kombinasjonen av bilstol og understell som et sted der barnet sover over lengre tid. Bruk alltid bærebagen eller barnesengen når barnet ønsker å sove. Barnevognen er et transportmiddel og skal ikke vugges. Når barnevognen beveges fremover og bakover over korte avstander bør forhjulene være låst i fast stilling. Teknisk løshet på den spinnende mekanismen kan forårsake en retningsendring, noe som ikke beviser en defekt på produktet.
- » Produsenten anbefaler å montere bilsetet i motsatt retning av kjøreretningen (vendt mot en forelder) da dette gjør det lettere å observere barnet i bilsetet.
- » For barnevogner designet for nyfødte og oppover anbefales det at barnet til enhver tid ligger i flat stilling.
- » Har du en bærebag utstyrt med stropp, må du alltid sørge for at håndtakene er på utsiden av bærebagen når den er i bruk. Bærebager utstyrt med midtplassert bærehåndtak på toppen: Før løfting må du sørge for at håndtaket er plassert vinkelrett på bærebagen og at låsen er slått på og fungerer som den skal.
- » Bruk bare reservedeler som er levert eller anbefalt av produsenten eller distributøren for at garantien skal dekke eventuelle reparasjoner. Barnevognen bør ikke brukes hvis noen form for feil er blitt observert eller noen av elementene har blitt skadet.
- » Kalesjen på seteenheten er designet med fleksible stålstenger som kan deformeres under belastning. Dette kan føre til redusert avstand mellom de indre metallstengene og andre deler av systemet og føre til skader i form av opprivning av tekstilet. Ved deformasjon må du gjøre en korleksjon ved å forsiktig klemme og strekke de indre metallstengene.
- » For reisesystemer som er utstyrt med reversibel seteenhet er det ikke tillatt å endre seteenhetens stilling mens babyen er i den.

NO

- » Etter at understellet er utfoldet, må du kontrollere om forhjulene og bakhjulene er ordentlig montert ved å prøve å fjerne dem fra understellet, uten å trykke på knappen som låser opp låsemekanismen.
- » Etter at understellet er foldet sammen, må du sjekke om sikkerhetsmekanismen (sikkerhetsklemmen) som sikrer at understellet ikke folder seg ut på egen hånd fungerer/er ordentlig festet. Hvis sikkerhetsklemmen ikke er festet ordentlig, må den justeres manuelt.
- » Under inn- og utfolding av understellet, og under monteringsfasen, må du holde hendene dine i trygg avstand fra bevegelige deler for å unngå personskader.
- » D-ringer er utstyrt for festing av en ekstra sele. Disse er plassert på den eksisterende selen i nærheten av der den er festet til seterammen. D-ringer er utstyrt for tilfeller der montering av en separat sele er nødvendig. Ekstraseler kan kjøpes direkte fra distributør.
- » Betjening av parkeringsbremsen.
- » Trykk ned på pedalen for å koble inn parkeringsbremsen Trykk ned og slipp for å koble ut parkeringsbremsen.
- » ADVARSEL: Forlat aldri vognen uten først å koble parkeringsbremsen helt inn.
- » Ikke plasser bæresengen nær åpen ild eller andre kilder til sterk varme. Håndtakene og bunnen av bæresengen bør inspiseres regelmessig for tegn på skade og slitasje. Hvis bæresengen er beregnet på å brukes sammen med et stativ, skal det kontrolleres at stativet er av passende størrelse for å ta plass til bunnen av bæresengen. Hodet til barnet i bæresengen skal aldri være lavere enn kroppen til barnet.
- » Vær oppmerksom på faren for å treffe babyen, for eksempel når du legger den på gulvet, går gjennom dører;
- » Ikke la noe i bærekurven som kan utgjøre en fare for kvelning, for eksempel ikke-stive leker, puter..
- » Ikke plasser bærekurven nær et annet produkt som kan utgjøre en fare for kvelning, for eksempel snorer, snorer til persienner/gardiner...
- » Husk at overoppheting kan sette barnets liv i fare! Ta hensyn til omgivelsestemperaturen og barnets klær, og sørg for at barnet ikke er for kaldt eller for varmt;
- » Husk å spørre en helsepersonell om råd om trygg søvn.
- » Hev eller senk aldri bæresengen eller seteenheden med babyen inni.

UYARI!

- » Asla çocuğunuzu gözetimsiz bırakmayın.
- » Kullanmadan önce tüm kilitleme mekanizmalarının bağlı olduğundan emin olun.
- » Yaralanmayı önlemek için bu ürünü açarken ve katlarken çocuğunuzun uzakta olduğundan emin olun.
- » Çocuğunuzun bu ürünle oynamasına izin vermeyin.
- » Çocuğunuz yardım almadan oturana kadar emniyet kemerini kullanın.
- » Bu oturma ünitesi 6 aydan küçük çocuklar için uygun değildir.
- » Daima emniyet kemeri sistemini kullanın.
- » Her kullanımdan önce portbebe veya oturma ünitesi veya oto güvenlik koltuğu donatılarının doğru şekilde bağlı olduğunu kontrol edin.
- » Bu ürün koşu veya paten için uygun değildir.
- » Taşıma karyolasını, koltuk ünitesini veya araba koltuğunu bebek arabasının çerçevesine monte edebilirsiniz. Venicci Upline 2 şasisi, Venicci Upline 2 Koltuk Ünitesi ve Venicci Upline 2 CarryCot ile tam uyumludur.
- » Bu ürün sadece yardımsız oturamayan çocuklar için uygundur.
- » Yalnızca sağlam, yatay, düz ve kuru bir yüzeyde kullanın.
- » Çocuk arabası gövdesi, çocuk kendi kendine oturabildiği, dönebildiği ve elleri ve dizleri üzerinde itilebildiği anda kullanılmamalıdır. Çocuğun maksimum ağırlığı: 9 kg.
- » Kullanmadan önce çocuk arabası gövdesi veya koltuk ünitesi veya araba koltuğu bağlantı cihazlarının doğru kullanın.
- » Portbebe, koltuk ünitesi ve araba koltuğu için iki noktalı kilitleme sistemi. Kilitleme mekanizması, portbebe, koltuk ünitesi veya araba koltuğu adaptörlerinin yuvalarına yerleştirildiğinde otomatik olarak tetiklenir
- » Kilitleme sistemini devre dışı bırakmak için düğmeler. Portbebe, koltuk ünitesi, araba koltuğunu çıkarmak için, kaldırmadan önce şasinin sol ve sağ tarafındaki düğmelere basın. Ürünü yeniden kullanmadan önce, çıkarılabilir parçayı kaldırarak kilitleme sisteminin doğru çalıştığından emin olun.
- » Diğer çocukların portbebe yakınında gözetimsiz oynamasına izin vermeyin.
- » Portbebeğin herhangi bir parçası kırık, yırtık veya eksikse kullanmayın.
- » Bu ürünü asla bir stand üzerinde kullanmayın.
- » Aracın uygun olduğu çocuğun maksimum ağırlığı ve yaşı: hangisi önce gelirse, 22 kg'a kadar veya 4 yaşına kadar.



TR UYARI!

- » Ürünü Kullanmadan önce bu klavuzu dikkatlice okuyun ve ürünü kullandığınız sürece bu klavuzu saklayınız. Bu belgedeki talimatlara uyulmaz ise çocuğunuzun güvenliği tehlike altında kalabilir. Çocuk arabasının üreticisi bu belgedeki kurallara uyulmadığı için oluşabilecek her türlü kaza ve aksaklıktan sorumlu değildir
- » Satın alımdan sonra bu belgede geçen ve üreticinin size verdiği tüm parçaları büyük bir dikkatle saklayın. Bu bebek arabası satın alımdan sonra kullanıcı tarafından bakıma ihtiyaç duymaktadır. Çocuğunun sağlığını ve de ürünün hasar görmemesini sağlamak için gerekli inceleme gerekirse de bakımları yapmak ürünü alan kullanıcının sorumluluğudur.
- » Puset versiyonunda sırtlık ayarı. Puset koltuğu ayarlanabilir bir sırt desteği ile donatılmıştır. Koltuk arkalığını yarı oturma veya yatma pozisyonuna indirmek için, arkalığın arka kısmındaki kolu yukarı doğru çekin, gerekli pozisyona getirin ve kolu bırakın. Ürün, Sırt desteğini yatma konumundan oturma konumuna kaldırırken kolun kaldırılmasını gerektirmeyen yaylı bir otomatik kilit mekanizması ile donatılmıştır. Koltuk arkalığının konumunu her değiştirdiğinizde, sabitleme sisteminin doğru çalışıp çalışmadığını kontrol edin ve kayış ayarlarını bebeğinizin yeni konumuna uygun şekilde ayarlayın.
- » Bebek arabasının dengesine zarar verebileceği ve pusetin düşmesine neden olabileceği için çocuğun koltukta ayakta durmasına izin vermeyin. Ürünün kullanım sırasında stabilitesini artırmak için bebeğin bebek taşıma çantasının veya koltuk ünitesinin orta kısmına yerleştirildiğinden emin olun.
- » Ürünü taşıırken , Başlığı, koltuk arkalığının üst kenarını, ayak desteğini veya puset versiyonunu oluşturan elemanları tutan parçalardan tutarak taşımayın. Çocuk arabasını basamaklarda kullanmayın veya çocuk arabasını düz olmayan yüzeylerde (fren açık olsa bile) bırakmayın. Bebek arabasını basamaklardan yukarı veya aşağı taşıırken, çocuk arabasının otobüse yerleştirmek vb gibi eylemler esnasında. Başka bir insandan yardım alın. Çocuk arabası sap borusunu tutan kişi, bebek arabası sap borusunu tutarken ilk önce engeli geçer ve bebek arabasının diğer ucunu tutan kişi, çerçevenin sabit bir dikmesi gibi sabit bir elemanla bebek arabasını kavramalıdır. Çocuk arabasını alt katta taşıırken önce yardım eden kişi aşağı iner.
- » Çocuk arabası kolu yükseklik ayarı. Bebek arabası kolunun yüksekliğini değiştirmek için düğmeye basın ve basılı tutun, gerekli yüksekliğe getirin ve her iki düğmeyi de bırakın. A Kolun yüksekliğini ayarladıktan sonra, üst kısımda tutun ve kilitlerin doğru çalıştığından emin olmak için iki kez yukarı ve aşağı hareket ettirin.
- » Ayaklık ayarı. Çocuk arabası ayarlanabilir ayak dayama yeri ile donatılmıştır. Ayak dayanağını indirmek için ayak dayanağının her iki yanındaki ayar düğmelerine basın, ayak dayanağı konumunu ayarlayın ve düğmeleri bırakın.
- » Değiştirilebilir kol tüpleriyle donatılmış bebek arabaları söz konusu olduğunda, kol tüpü konumunu değiştirirken çocuğun ellerinin koltuğun iç çizgisinin dışında olmadığından emin olun. Kol tüpü konumunun her değişikliğinden sonra, kol tüpünü birkaç kez yukarı ve aşağı çekerek kendinden kilitlemeli kilitleme mekanizmasının etkinliğini kontrol edin. Koltuk arkalığının veya beşiğin konumunu değiştirirken, çocuğun ellerine ve kafasına dikkat edin.
- » Ayak dayanağı, ayak dayanağını kaldırırken düğmelerin serbest bırakılmasını gerektirmeyen bir otomatik kilit sistemi ile donatılmıştır.
- » Çocuğun ayaklık üzerinde durmasına veya oturmasına izin vermeyin. Daha büyük bir yükün ayak dayama yeri üzerindeki etkisi, kilitleme mekanizmalarına zarar verebilir. Çocuk bağımsız olarak pusete girip çıktığında ayak dayamasını alt konumuna getirin.

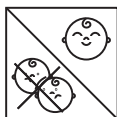
- » Bebek arabası elemanlarını temiz tutun. Çerçeve üzerindeki kirlere nemli bir süngerle alınmalı ve ardından kuru pamuklu bir bezle silinmelidir. Temizlik için kostik, keskin veya sert maddeler kullanmayın, çünkü bunlar bebek arabasının parçalarına zarar verebilir (renk bozulması, çizikler, vb.). Bu yüzeye uygun temizlik maddelerinin kullanılması tavsiye edilir. Çocuk arabası örtüsünde herhangi bir kir olması durumunda, Temizlik jeli yada başka bir temizlik maddesi ve nemli bir sünger kullanarak çıkarın. Bebek arabası koltuğunu ve kucaklığının altını ve ilave uyku tulumunun altını (değiştirilebilir fonksiyonlu çocuk arabası) 'nı aşırı ıslatmaktan kaçının çünkü bu, kırılgan halkası elemanlarının deforme olmasına neden olabilir.
- » Örneğin yağmurdan sonra meydana gelebilecek çiş veya lekelerden kaçınmak için, tüm çocuk arabası için yağmur kılıfı kullanarak bebek arabasını aşırı ıslanmaya güvence altına alın Pusetin güçlü güneş ışığının etkilerine karşı korunması tavsiye edilir. Üretici, bu tavsiyelere uyulmamasından kaynaklanan çocuk arabası kılıfının bozulmasından sorumlu değildir.
- » Tekerlekleri takip sökmeden önce, frenin kilitleme mekanizmasını yukarı doğru kaldırın (blokajlı fren). Bebek arabası akslarının temiz tutulmasını tavsiye ederiz. Çocuk arabalarının rulmansız tekerleklerle donatıldığı yerlerde, bebek arabası aksları, boru uçlarındaki sürtünmeyi azaltmak için kalın bir yağ ile (fincan gresi, makine yağı) yağlanmalıdır. Rulmanlı tekerleklerle donatılmış modellerde, aksların yağlama maddesi, örneğin WD40. UYARI: Üretici veya distribütörün onaylamadığı aksesuarlar veya yedek parçalar kullanılmamalıdır.
- » Araba koltuğu için montaj delikleriyle donatılmış şasi için - üretici veya distribütörün onaylamadığı tüm konektörler kullanılmamalıdır. Üretici, kendi onayına sahip olmayan şasiye başka araba koltuklarının takılmasının sonuçlarından sorumlu değildir. Uygun onaylara sahip araba koltuklarının listesi üreticinin web sitesinde yayınlanmıştır.
- » Üreticinin veya distribütörün onaylamadığı araba koltuğu adaptörleri kullanılmamalıdır. UYARI: Kullanmadan önce araba koltuğu bağlantı cihazlarının doğru şekilde bağlandığını kontrol edin.
- » Portbebe, koltuk ünitesi ve araba koltuğu için iki noktalı kilitleme sistemi. Kilitleme mekanizması, portbebe, koltuk ünitesi veya araba koltuğu adaptörlerinin yuvalarına yerleştirildiğinde otomatik olarak tetiklenir
- » Kasayı katarken ve açarken ve montaj aşamasında, yaralanmaları önlemek için ellerinizi hareketli parçalardan güvenli bir mesafede tutun. Araba koltuğu ve şasi kombinasyonunu çocuğun uzun süre uyuyabileceği bir yer olarak kullanmayın. Çocuğunuz uyumak istiyorsa, her zaman kucaklık veya bebek karyolasını kullanın. Çocuk arabası bir taşıma aracı olarak kullanılır, ürünü sallamayın. Bebek arabasını kısa mesafelerde ileri ve geri hareket ettirirken ön tekerlekler sabit konuma kilitlenmelidir. Eğirme mekanizmasının teknolojik gevşekliği, üründe kusur olduğunu kanıtlayamayan yön değişikliğine neden olabilir..
- » Üretici, araba koltuğunun seyahat yönünün tersi yönde (ebeveyne bakacak şekilde) takılmasını önerir, çocuk araba koltuğunda gözlemlenmeyi kolaylaştırır.
- » Doğumdan itibaren tasarlanan bebek arabaları için, çocuğun her zaman düz pozisyonda yatması önerilir.
- » Emniyet kemeri ile donatılmış portbebelerde, emniyet kemeri kullanılmıyorsa portbebeden çıkarıldığından daima emin olun. Üst orta taşıma sapına sahip portbebe; kaldırmadan önce, tutacağın portbebe dikey olarak konumlandırıldığından ve tabanındaki kilidin açık olduğundan ve düzgün çalıştığından emin olun.
- » Herhangi bir garanti ve garanti sonrası onarım için, yalnızca ilgili üretici veya distribütör tarafından sağlanan veya önerilen parçaları kullanın. Herhangi bir kusur fark edilirse veya herhangi bir eleman hasar görürse çocuk arabası kullanılmamalıdır.

- » Koltuk ünitesinin davlumbazı, basınç etkisi altında deforme olabilen esnek çelik şeritler kullanılarak tasarlanmıştır. Bu, dahili metal çubuklar ile sistemin diğer parçaları arasındaki mesafenin azalmasına neden olabilir ve kumaşın yırtılmasına neden olmak gibi hasara yol açabilir. Deformasyon durumunda, iç metal çubukları hafifçe sıkarak, gererek bir düzeltme yapmalısınız.
- » Tersine çevrilebilir koltuk ünitesi ile donatılmış seyahat sistemlerinde, bebek içindeyken pozisyon değiştirmesine izin verilmez.
- » Şasiyi açtıktan sonra, kilitleme mekanizmasının kilidini açan düğmeye basmadan şasiden ayırmaya çalışarak ön ve arka tekerleklerin düzgün takılıp takılmadığını kontrol edin.
- » İlave bir emniyet kemerinin takılması için „D“ halkaları sağlanmıştır. Bunlar, koltuk çerçevesine takılı olduğu yere yakın mevcut kayış üzerinde bulunur. Gerekirse ayrı bir kablo demeti takmak için „D“ halkaları sağlanmıştır. Yedek Kablo Demeti doğrudan distribütörden satın alınabilir.
- » Park freninin çalıştırılması. Park frenini devreye sokmak için pedala basın. Park frenini devreden çıkarmak için aşağıya basın ve bırakın. UYARI: El frenini tam olarak çekmeden asla aracı terk etmeyin.
- » Kilitleme sistemini devre dışı bırakmak için düğmeler. Portbebe, koltuk ünitesi, araba koltuğunu çıkarmak için, kaldırmadan önce şasinin sol ve sağ tarafındaki düğmelere basın. Ürünü yeniden kullanmadan önce, çıkarılabilir parçayı kaldırarak kilitleme sisteminin doğru çalıştığından emin olun.
- » Çocuk arabası çerçevesine bağlanan sepetin yükü 3 kg'ı geçmemelidir, çocuk arabası sapına asılan çantanın erişilebilir yükü 1 kg'dır. Bebek arabasının cepleri sadece dekoratif amaçlıdır, her cebe veya tüm cepler için 0,35 kg ağırlığa sahip her cebe toplam ağırlığı 0,15 kg'ı aşan nesnelere konulmamalıdır. Portatif karyolayı açık ateş veya başka bir güçlü ısı kaynağının yakınına yerleştirmeyin. Portbebeğin kolları ve tabanı, hasar ve yıpranma belirtileri açısından düzenli olarak kontrol edilmelidir. Portbebe bir sehpa ile kullanılmak üzere tasarlandıysa, standın portbebenin tabanına uygun büyüklükte olup olmadığı kontrol edilecektir. Portatif karyoladaki çocuğun başı asla çocuğun vücudundan aşağıda olmamalıdır.
- » Bebeği yerlere koyarken, kapılardan geçerken vb. tehlike farkında olun;
- » Bebek taşıma sepetinde boğulma tehlikesi yaratabilecek bir şey bırakmayın, örneğin rijit olmayan oyuncaklar, yastıklar...
- » Taşıma sepetini boğulma tehlikesi yaratabilecek başka bir ürüne yakın yerleştirmeyin, örneğin ip, perdelerin ipleri...
- » Lütfen aşırı ısınmanın çocuğunuzun hayatını tehlikeye sokabileceğini unutmayın! Ortam sıcaklığını ve çocuğun giysilerini göz önünde bulundurun ve çocuğunuzun ne çok soğuk ne de çok sıcak olmadığını kontrol edin;
- » Lütfen güvenli uyku konusunda bir sağlık profesyonelinin tavsiyesini almayı unutmayın.
- » Bebek içindeyken portbebeyi veya oturma ünitesini kesinlikle kaldırmayın veya alçaltmayın.

SE VIKTIGT - ÄS NOGGRANT OCH SPARA FÖR FRAMTIDA BRUK.

VARNING!

- » Lämna aldrig barnet utan uppsikt.
- » Se till att alla låsanordningar är spärrade innan du använder vagnen.
- » För att undvika skada, se till att barnet är ur vägen när du faller ut och ihop denna produkt.
- » Låt inte barnet leka med denna produkt.
- » Använd sele i vagnen så snart ditt barn kan sitta utan stöd.
- » Denna sittdel är inte lämplig för barn under 6 månader.
- » Använd alltid bältessystemet.
- » Kontrollera att fastsättning sanordningarna för insatsen eller sittdelen är korrekt fastsatta innan vagnen tas i bruk.
- » Denna produkt är inte lämplig för att springa eller åka inlines med.
- » Barnvagnen får inte användas så snart barnet kan sitta av sig själv, rulla över och kan trycka på händerna och knäna. Barnets högsta vikt: vikt 9 kg.
- » Denna produkt är endast lämplig för barn som inte kan sitta upp utan hjälp.
- » Använd endast på en fast, horisontell, plan och torr yta.
- » Barnets maxvikt och -ålder, vilket barnvagnen är avsedd för: 22 kg eller 4 år, vilket som inträffar först.
- » Kontrollera att barnvagnen eller sitsenheten eller bilsitsen är korrekt inkopplade före användning.
- » Du kan montera babysängen, sätesenheten eller bilbarnstolen på barnvagnens ram. Venicci Upline 2-chassi är fullt kompatibelt med: Venicci Upline 2 Seat Unit och Venicci Upline 2 CarryCot.
- » Använd alltid fasthållningsanordningen.
- » Tvåpunktslåssystem för barnvagn, sittplats och bilbarnstol. Låsmekanismen utlöses automatiskt när den placeras i spåren på bärsängen, sitsenheten eller bilsitsadaptorna
- » Knappar för att avaktivera låssystemet. För att lossa liggdel, sittplats, bilstol innan du lyfter upp den, tryck på knapparna på vänster och höger sida av chassit. Innan du återanvänder produkten, se till att låssystemet fungerar korrekt genom att lyfta den löstagbara delen.
- » Låt inte andra barn leka utan uppsikt nära bärsängen.
- » Använd inte om någon del av bärsängen är trasig, sönderriven eller saknas.
- » Använd aldrig denna produkt på ett stativ.



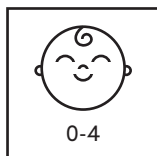
SE VARNING!

- » Före användning, läsa följande anvisningen noggrant och behålla den. Säkerheten för barnet kan äventyras om rekommendationerna i denna manual inte följs. Tillverkaren av vagnen är inte ansvarig för effekter från icke följande anteckningar, varningar och rekommendationer som ingår i produktdokumentationen.
- » Efter köpt, se till att du korrekt upprätthålla alla komponenter som anges av tillverkaren i denna handbok guide. Denna barnvagn kräver regelbundet underhåll av användaren. Det är användarens rimlig att genomföra rutininspektion och underhåll av vagnen för att undvika skador på produkten och/eller skador på ditt barn.
- » Ryggstödsjustering i vagnversionen. Vagnen sätet är försett med ett justerbart ryggstöd. För att sänka ryggstödet till halvsittande eller liggande läge, dra i handtaget i den bakre delen av ryggstödet uppåt, väljer önskad position och släpp handtaget. Ryggstödet är utrustad med en fjäderbelastad automatisk låsmekanism som inte kräver handtaget lyftas vid lyft ryggstödet från liggande till sittande ställning. Varje gång du ändrar läget på ryggstödet kontrollera om fästsystemet fungerar korrekt och justera sele inställningarna därefter för att passa ditt barns nya position.
- » Låt inte barnet att stå på sätet eftersom det kan skada stabiliteten i vagnen och orsaka vagnen faller ner. För att öka stabiliteten hos produkten under användning, se till att barnet är placerad i den centrala delen av liggdelen eller sittedelen.
- » Bär inte barnvagnen håller huvan, övre kanten av ryggstödet, fotstödet eller elementet skapar barnvagn version. Använd inte vagnen på stegen eller lämna vagnen med barnet på ojämna ytor (även med broms på) eftersom det kan gå ner. Bära barnvagn upp och ner för trappan, placera vagnen till bussen, etc. bör utföras med hjälp av en annan person. Den person som innehar vagnen handtagsröret passerar hindret först medan du håller vagnen handtagsröret, och den person som håller den andra änden av vagnen bör ta tag vagnen av en stabil element såsom en stationära stolpen av ramen. När du bär pram nere, den person som hjälper kommer ner först.
- » Pram handtag höjdjustering. För att ändra höjden på barnvagnshandtaget, håll knappen, välj önskad höjd och släpp båda knapparna. Efter justering av höjden på handtaget, håll den i den övre delen och flytta den två gånger upp och ner för att se till att låsen fungerar korrekt.
- » För att undvika att gråta s eller fläckar som kan uppstå efter regn, till exempel säkra barnvagnen mot överblötläggning med hjälp av regnskydd för hela vagnen. Det rekommenderas att skydda vagnen mot effekterna av starkt solljus. Tillverkaren kan inte ta ansvar för försämring till barnvagn höljet, som ett resultat av underlåtenhet att följa dessa rekommendationer.
- » I fallet med barnvagnar är utrustade med överlåtbara handtag rör, se till att barnets händer inte utanför den inre konturen av sätet vid byte av handtagsröret position. Efter varje byte av handtagsröret läget kontrollera effektiviteten hos den självfäst låsmekanismen genom att dra handtagsröret upp och ned flera gånger. Vid byte av läget på ryggstödet eller bassinet, uppmärksamma barns händer och huvud. Fotstöd justering. Vagnen är utrustad med justerbart fotstöd. För att sänka fotstödet, tryck på justeringsknapparna på båda sidor av fotstödet, justera fotstödet läge och släpp knapparna. Fotstödet är utrustad med en automatisk låssystem som inte kräver knapparna för att släppas vid lyft fotstödet.

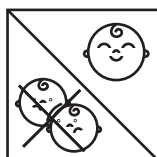
- » Låt inte barnet att stå eller sitta på fotstödet. Effekterna av en större belastning på fotstödet kan orsaka skador på låsmekanismer. När barnet blir självständigt i och ut ur vagnen, läget fotstödet till sitt nedre läge.
- » Håll pram elementen ren. Smuts på ramen ska tas bort med en fuktig svamp och sedan torkas av med en torr bomullstrasa. Använd inte kaustik, skarp, eller hårda medel för rengöring, eftersom dessa kan vara skadliga för barnvagn elementen (missfärgning, repor, etc.). Det rekommenderas att använda rengöringsmedel som lämpar sig för en viss yta. I fallet med smuts på barnvagns locket, ta bort den med hjälp av en fuktig svamp, lägga till en delikat rengöringsmedel. Undvika över vätning vagnen sätet, botten av ligginsatsen, och botten av ytterligare sovsäck (barnvagn av föränderlig funktion) eftersom detta kan orsaka deformationer av stringer ringelement.
- » Före montering och demontering av hjulen, lyft låsmekanismen hos broms uppåt (oblockerad paus). Vi rekommenderar att vagnen axlarna bör hållas rena. Där barnvagnar är utrustade med hjul utan lager, bör barnvagns axlar hållas smörjas med ett tjockt medel (kopp fett, maskinolja) för att minska friktionen på rörändar. I modeller utrustade med hjul med kullager, rekommenderas att smörja axlarna med ett smörjmedel, t.ex. WD40. VARNING: Tillbehör eller reservdelar som tillverkaren eller distributören inte har godkänt får inte användas.
- » För chassi utrustad med monteringshål för bilbarnstolen - alla kontakter som tillverkaren eller distributören inte har godkänt får inte användas. Tillverkaren är inte ansvarig för konsekvenserna av att installera andra bilsäten på chassit som inte har deras godkännande. Lista över bilbarnstolar med lämpliga godkännanden läggs ut på tillverkarens webbplats.
- » Adaptrar för bilbarnstolen att tillverkaren eller distributören inte har godkänt får inte användas. VARNING: Kontrollera att bilbarnstolen fästansordningar är korrekt engagerade före användning.
- » Medan vinkning och utfällning av chassit, och under montering skede hålla händerna på säkert avstånd från rörliga delar för att undvika skador. Använd inte kombinationen av bilsätet och chassi som en plats för barnet att sova under långa tidsperioder. Om ditt barn vill sova, alltid använda ligg eller babysäng. Vagnen används som ett transportmedel, inte rock produkten. Flytta vagnen framåt och bakåt på korta sträckor framhjulena ska låsas till den fasta positionen. Tekniska glapp av spinnmekanismen, kan orsaka en förändring i riktning som bevisar inte produkt defekt.
- » Tillverkaren rekommenderar montering av sätet bil i motsatt riktning mot riktningen för resande (förälder läge), gör det lättare att observera barnet i bilbarnstolen.
- » För barnvagn utformats från födseln och uppåt rekommenderas att barnet lägger i plant läge vid alla tidpunkter.
- » För babylyftar utrustade med en sele, alltid se till att om selen inte används, att den tas bort från liggdelen. Babylyftar utrustade med topp central bärhandtag; Före lyft se till att handtaget är placerad vinkelrätt mot liggdelen och låset i sin bas är påslagna och fungerar som de ska.
- » För endast några garanti- och eftergarantireparationer använda delar levererade eller rekommenderas av relevant tillverkare eller återförsäljare. Vagnen ska inte användas om någon form av fel har märkt eller någon av de delar har skadats.
- » Huven på sättenheten har utformats med hjälp flexibla remsor av stål, som under inverkan av tryck kan deformeras. Detta kan resultera i minskade avstånd mellan de

inre metall barer och andra delar av systemet och leda till skada såsom att orsaka tyg för att riva. I fallet med deformation måste du göra en korrigerig genom att försiktigt klämma, stretching de inre metallstänger.

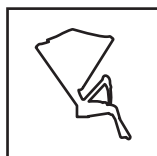
- » I fallet av resesystem försedda med vändbar sittdel, är det inte tillåtet att ändra sin ståndpunkt när barnet är i den.
- » Efter utspelas chassit kontrollera om de främre och bakre hjulen är korrekt monterad genom att försöka lösgöra dem från chassit utan att trycka på knappen som låser upp låsmekanismen.
- » 'D' ringar är anordnade för fastsättning av en extra sele. Dessa är placerade på den befintliga selen nära där den är ansluten till sätesramen. 'D' ringar är anordnade för montering av en separat sele om det behövs. Ersättning Harness kan köpas direkt från distributören.
- » Använda parkeringsbromsen. Tryck nedåt på pedalen i parkeringsbromsen. Tryck ner och släpp för att koppla ur parkeringsbromsen. VARNING: Lämna aldrig fordonet utan att först helt engagera parkeringsbromsen.
- » Två punkter låssystem för liggdel, sittdel och bilbarnstol. Låsmekanismen utlöses automatiskt när den placeras i slitsarna i det liggdel, sittdel, eller bilstol adaptrar
- » Knapparna för att inaktivera låssystemet. Att lösgöra liggdel, sittdel, bilbarnstol, innan du lyfter upp den genom att trycka på knapparna på vänster och höger sida av chassit. Innan du återanvända produkten, se till att låssystemet fungerar korrekt genom att lyfta den löstagbara delen.
- » Lasten på korgen som är fäst vid barnvagnens ram bör inte överstiga 3 kg. Tillgänglig belastning på påsen som hängs på barnvagnens handtag är 1 kg. Barnvagnens fickor är endast för dekorativa ändamål. Inga föremål med en totalvikt som överstiger 0,15 kg ska placeras i varje ficka eller en vikt på 0,35 kg för alla fickor.
- » Placera inte bärsängen nära öppen eld eller annan stark värmekälla. Handtagen och botten på bärsängen bör inspekteras regelbundet för tecken på skador och slitage. Om bärsängen är avsedd att användas med ett stativ ska det kontrolleras att stativet är av lämplig storlek för att rymma basen för bärsängen. Barnets huvud i bärsängen ska aldrig vara lägre än barnets kropp.
- » Var medveten om risken för att träffa baby, till exempel när du lägger den på golvet, går genom dörrar;
- » Lämna inte något i bärarsängens som kan utgöra en kvävningrisk, till exempel icke-stela leksaker, kuddar...
- » Placera inte bärarsängen nära en annan produkt som kan utgöra en strypningsrisk, till exempel snören, snören till persienner/gardiner...
- » Kom ihåg att överhettning kan hota ditt barns liv! Ta hänsyn till omgivningstemperaturen och barnets klädsel och se till att barnet varken är för kallt eller för varmt;
- » Kom ihåg att fråga en hälso- eller sjukvårdspersonal om råd om säker sömn.
- » Höj eller sänk aldrig liggdelen eller sittdelen med barnet inuti.



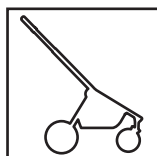
EN Pram/pushchair is designed for children from birth to 4 years old. **IT** La carrozzina è destinata ai bambini dalla nascita fino a 4 anni. **PL** Wózek przeznaczony jest dla dziecka od momentu narodzin do 4 lat. **DE** Kinderwagen für Kinder von Geburt an bis zu 4 Jahre ausgelegt. **SK** Kočík je určený pre dieťa od novorodeneckého veku do 4 rokov. z Коляска предназначена для ребёнка с рождения до 4 лет. **CZ** Kočárky jsou určeny pro děti od 0 do 48 měsíců. **ES** El cochecito está destinado a niños de hasta 4 años de edad. **RO** Căruciorul este destinat pentru copii cu vârsta până la 4 ani. **HU** A babakocsi gyermeke számára születésétől 4 éves korig szól. **LV** Bērnu ratiņi / ratiņi ir paredzēti bērniem no dzimšanas līdz 4 gadu vecumam. **NO** Barnevogn / barnevogn er designet for barn fra fødsel til 4 år. **LT** Vežimėlis / vežimėlis skirtas vaikams nuo gimimo iki 4 metų. **FR** La poussette / poussette est conçue pour les enfants de la naissance à 4 ans. **PT** O carrinho de bebé / carrinho de bebé foi projetado para crianças desde o nascimento até os 4 anos de idade. **FI** Lastenvaunut / rattaat on suunniteltu lapsille syntymästä 4 vuoden ikään saakka. **GR** Το καροτσάκι / καροτσάκι έχει σχεδιαστεί για παιδιά από τη γέννηση έως τα 4 ετών. **EST** Lapsevanker / lapsekäru on mõeldud lastele alates sünnist kuni 4-aastaseks. **TR** Pram / puset, doğumdan 4 yaşına kadar olan çocuklar için tasarlanmıştır. **SE** Barnvagn / barnvagn är avsedd för barn från födseln till 4 år.



EN This product is suitable for one (1) child. **IT** Questa carrozzina è progettata per un singolo bambino. **PL** Niniejszy wózek przeznaczony jest dla jednego dziecka. **DE** Der vorliegende Kinderwagen ist nur für ein Kind bestimmt. **SK** Tento kočík je určený pre jedno dieťa. **RU** Данная коляска предназначена для одного ребенка. **CZ** Tento kočárek je určen pro jedno dítě. **ES** Este cochecito está diseñado para ser usado por solo un bebé a la vez. **RO** Acest cărucior este destinat unui singur copil. **HU** Ez a babakocsi egy gyermek számára készült. **LV** Šis produkts ir piemērots vienam (1) bērnam. **NO** Dette produktet er egnet for ett (1) barn. **LT** Šis produktas tinka vienam (1) vaikui. **FR** Ce produit convient à un (1) enfant. **PT** Este produto é adequado para uma (1) criança. **FI** Tämä tuote sopii yhdelle (1) lapselle. **GR** Αυτό το προϊόν είναι κατάλληλο για ένα (1) παιδί. **EST** See toode sobib ühele (1) lapsele. **TR** Bu ürün bir (1) çocuk için uygundur. **SE** Denna produkt är lämplig för ett (1) barn.



EN Stroller seat equipped with the hood and the footmuff. **IT** Seduta del passeggino dotata di capottina e di copertura per le gambe del bambino. **PL** Siedzisko wózka wyposażone w budkę i pokrowiec nanóżki dziecka. **DE** Der Sitz des Kinderwagens ist mit einer Kabine und einer Abdeckung für ausgestattet Babyfüße. **SK** Sedadlo kočíka vybavené strieškou a prikrývkou na nohy dieťaťa. **RU** Сиденье коляски имеет капюшон и чехол для ножек малыша. **CZ** Sportovní sedačka kočárku s boudou a nánožník. **ES** Asiento con capota y cubrepies. **RO** Partea sport este dotata cu copertina și acoperitoare pentru picioarele copilului. **HU** A kocsi ülés fülkéjével



EN Pram chassis with wheels. **IT** Struttura della carrozzina con le ruote. **PL** Konstrukcja wózka z kołami. **DE** Kinderwagengestell mit Rädern. **SK** Konštrukcia kočíka s kolesami. **RU** Рама коляски с колесами. **CZ** Konstrukce kočárku s koly. **ES** Chasis con ruedas. **RO** Construcția căruciorului împreună cu roțile. **HU** A babakocsi vázája és kerekei. **LV** Maksimālais bērna svars. **NO** Maksimal vekt på barnet. **LT** Didžiausias vaiko svoris. **FR** Le poids maximum de l'enfant. **PT** O peso máximo da criança. **FI** Lapsen enimmäispaino. **GR** Μaksimalna težina djeteta. **EST** Lapse maksimaalne kaal. **TR** Çocuğun maksimum ağırlığı. **SE** Barnets maximala vikt.



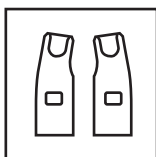
EN The maximum weight of the child. **IT** Il peso massimo del bambino. **PL** Maksymalna waga dziecka. **DE** Das maximale Gewicht des Kindes. **SK** Maximálna hmotnosť dieťaťa. **RU** Максимальный вес ребенка. **CZ** Maximální hmotnost dítěte. **ES** El peso máximo del niño. **RO** Greutatea maxima a copilului. **HU** A gyermek maximális súlya. **LV** Maksimālais bērna svars. **NO** Maksimal vekt på barnet. **LT** Didžiausias vaiko svoris. **FR** Le poids maximum de l'enfant. **PT** O peso máximo da criança. **FI** Lapsen enimmäispaino **GR** Το μέγιστο βάρος του παιδιού. **EST** Lapse maksimaalne kaal. **TR** Çocuğun maksimum ağırlığı. **SE** Barnets maximala vikt.



EN The seat unit is suitable for a maximum weight of the child 22kg or for 4 years, whichever comes first. **IT** Il passeggino è adatto per un peso massimo del bambino di 22 kg o fino a 4 anni. **PL** Siedzisko jest odpowiednie dla dziecka o maksymalnej wadze 22 kg lub do 4 roku życia, w zależności od tego, co nastąpi wcześniej. **DE** Die Sitzeinheit ist für ein maximales Gewicht des Kindes von 22 kg oder für 4 Jahre geeignet, je nachdem, was zuerst eintritt. **SK** Sedačka je vhodná pre maximálnu hmotnosť dieťaťa 22 kg alebo na 4 roky, podľa toho, čo nastane skôr. **RU** Сиденье рассчитано на ребенка с максимальным весом 22 кг или на 4 года, в зависимости от того, что наступит раньше. **CZ** Sedací jednotka je vhodná pro maximální hmotnost dítěte 22 kg nebo na 4 roky, podle toho, co nastane dříve. **ES** La unidad de asiento es adecuada para un peso máximo del niño de 22 kg o durante 4 años, lo que ocurra primero. **RO** Scaunul este potrivit pentru greutatea maximă a copilului de 22 kg sau pentru 4 ani, oricare ar fi primul. **HU** Az ülőegység alkalmas a gyermek legfeljebb 22 kg-os súlyára vagy 4 évre, attól függően, hogy melyik következik be előbb. **LV** Sēdekļa bloks ir piemērots bērna maksimālajam svaram 22 kg vai 4 gadiem, atkarībā no tā, kurš nosacījums notiks ātrāk. **NO** Sitteenheten er egnet for en maksimal vekt på barnet 22 kg eller i 4 år, avhengig av hva som kommer først. **LT** Sėdynė tinka maksimaliam vaiko svoriui 22 kg arba 4 metams, atsižvelgiant į tai, kas įvyks anksčiau. **FR** L'unité de siège convient pour un poids maximum de l'enfant 22 kg ou pour 4 ans, selon la première éventualité. **PT** A unidade do assento é adequada para um peso máximo de crianças de 22 kg ou por 4 anos, o que ocorrer primeiro. **FI** Istuinyksikkö sopii lapsen enimmäispainolle 22 kg tai 4 vuodeksi sen mukaan, kumpi tulee ensin. **GR** Το τμήμα του καθίσματος είναι κατάλληλο για παιδί Για μέγιστο βάρος 22 κιλών ή 4 ετών, όποιο από τα δύο δεν είναι Πρώτα. **EST** Istumisüksus sobib lapse maksimaalsele kaalule 22 kg või 4 aastaks, olenevalt sellest, kumb saabub varem. **TR** Koltuk ünitesi, hangisi önce gelirse, çocuğun maksimum ağırlığı 22 kg veya 4 yıl için uygundur. **SE** Sitsenheten är lämplig för barnets maximala vikt 22 kg eller 4 år, beroende på vilket som kommer först.



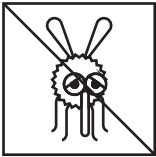
EN Pram bag. **IT** Borsa per gli accessori per la cura del bambino. **PL** Torba pielęgnacyjna. **DE** Tasche für Wickel- und Pflegemittel. **SK** Prebaľovacia taška. **RU** Сумка для аксессуаров по уходу за ребенком. **CZ** Taška. **ES** Bolso. **RO** Geantă pentru scutece și accesorii. **HU** Kelléktartó táská. **LV** Bērnu ratiņu soma. **NO** Barnevogn. **LT** Vežimėlio krepšys. **FR** Sac de landau. **PT** Saco de carrinho. **FI** Lastenvaununlaukku. **GR** Καροτάσι. **EST** Vankrikott. **TR** Bebek arabası çantası. **SE** Barnvagn.



EN Car seat adapter. **IT** Adattatore per seggiolino auto. **PL** Adapter fotelika samochodowego. **DE** Adapter zur Montage eines Autokindersitzes. **SK** Adaptér pre autosedačku. **RU** Адаптер автомобильного кресла. **CZ** Adaptér pro autosedačku. **ES** Anclajes para la sillita de coche. **RO** Adaptor pentru montarea scaunelului de mașină. **HU** Gépkocsi gyermekülésének adaptere. **LV** Automašīnas sēdekļa adapteris. **NO** Adapter for bilsete. **LT** Automobilinės kėdutės adapteris. **FR** Adaptateur de siège auto. **PT** Adaptador de assento de carro. **FI** Turvaistuimen sovitin. **GR** Προσαρμογέας καθίσματος αυτοκινήτου. **EST** Turvavooli adapter. **TR** Tüm çocuk arabası için yağmurluk. **SE** Adapter för bilbarnstol.



EN Universal rain cover for the seat unit and carrycot. **IT** Copertura parapigioggia sull'intera carrozzina. **PL** Pokrowiec przeciwdeszczowy na cały wózek. **DE** Regenschutz für den gesamten Kinderwagen. **SK** Pršiplášť na celý kočík. **RU** Чехол от дождя на всю коляску. **CZ** Pláštěnka na celý kočárek. **ES** Burbuja para la lluvia. **RO** Prelată împotriva ploii pentru întregul cărucior. **HU** Esőtakaró az egész kocsihoz. **LV** Lietus pārvalks visam ratiņam. **NO** Regntrekk for hele barnevognen. **LT** Lietaus danga visam vežimėliui. **FR** Houssse de pluie pour toute la poussette. **PT** Capa de chuva para todo o carrinho. **FI** Sateensuoja koko vaunulle. **GR** Κάλυμμα βροχής για ολόκληρο το καροτσάκι. **EST** Vihmakate kogu lapsevankrile. **TR** Tüm çocuk arabası için yağmurluk. **SE** Regnskydd för hela barnvagnen.



EN Mosquito net protecting the child from insects. **IT** La zanzariera sulla gondola protegge il bambino dagli insetti. **PL** Moskitiera gondoli chroniąca dziecko przed insektami. **DE** Moskitonetz für die Liegewanne, dass das Kind vor Insekten schützt. **SK** Sieťka pre vaničku na ochranu dieťaťa proti hmyzu. **RU** Москитная сетка люльки, защищающая ребенка от насекомых. **CZ** Moskytiéra na korbu, která chrání dítě před hmyzem. **ES** Mosquitera para el capazo. **RO** Plasa landoului protejează copilul împotriva insectelor. **HU** Gondolából készült szűnyogháló, amely megvédi a gyermeket a rovaroktól. **LV** Odu tīkls aizsargā bērnu no kukaiņiem. **NO** Myggnett som beskytter barnet mot insekter. **LT** Uodų tinklas, apsaugantis vaiką nuo vabzdžių. **FR** Moustiquaire protégeant l'enfant des insectes. **PT** Rede mosquiteira que protege a criança dos insetos. **FI** Hyttysverkko suojaa lasta hyönteisiltä. **GR** Κουνοπιέρα που προστατεύει το παιδί από έντομα. **EST** Säasevõrk, mis kaitseb last putukate eest. **TR** Çocuğu böceklerden koruyan cibinlik. **SE** Myggnät som skyddar barnet från insekter.



EN The carrycot equipped with the hood, cover and the mattress. **IT** Gondola dotata di capottina, copertura e materassino. **PL** Gondola wyposażona w budkę, pokrowiec i materacyk. **DE** Liegewanne mit Verdeck, Wetterdecke und Matratze. **SK** Vanička vybavená strieškou, prikrývkou a matracom. **RU** Люлька, оснащена капюшоном, чехлом и матрасом. **CZ** Korba s boudou, nánožník a matrace. **ES** Capazo con capota, forro y colchón. **RO** Landoul este dotat cu copertina, saltea și acoperitoare de picioare. **HU** A kocsi ülés fülkékével és lábfedelével van felszerelve. Gondolák, fülkével, fedéllel és matraccal felszerelve. **LV** Pārņēsājama gultiņa, kas aprīkota ar pārsegu, vāku un matraci. **NO** Børneseng utstyrt med hette, trekk og madrass. **LT** Nešiojimo lovelė su gaubtu, užvalkalu ir čiūžiniu. **FR** Kantosänky, jossa on huppu, kansi ja patja. **PT** Berço de transporte equipado com capuz, capa e colchão. **FI** Kantosänky, jossa on huppu, kansi ja patja. **GR** Η κούνια φέρει κουκούλα, κάλυμμα και το στρώμα. **EST** Kapuutsi, katte ja madratsiga varustatud kandevoodi. **TR** Kapüşon, örtü ve şilte ile donatılmış portbebe. **SE** Bäsängén är utrustad med huven, locket och madrassen.



EN 1888-1:2018+A1:2022

EN 1888-2:2018+A1:2022

EN 1466:2023

Distributed in Europe: Babysky Sp. z o.o Sp. k.
ul. Przemysłowa 20, 34-400 Nowy Targ, Poland
obsługa.klienta@venicci.pl www.venicci.pl (+48)787012301

Distributed in the United Kingdom: MAGICBABY LTD
Unit 7 Brookfields Way, Manvers, Rotherham, South Yorkshire, S63 5DL, United Kingdom
webenquiries@venicci.co.uk www.venicci.co.uk +44(0)1302 953872

Made in China

VENICCI®

For details regarding our distributor's visit:
venicci.co.uk